



FlexiShield® Food Shields

Flexible Shield, Converts to Three Positions, Two Tier

Project _____

Item _____

Quantity _____

CSI Section 11400

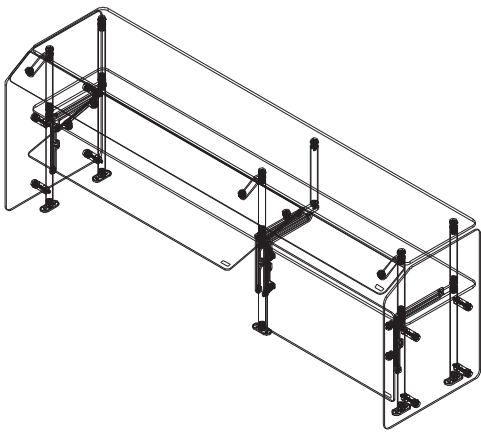
Approved _____

Date _____

FlexiShield® Food Shields: Flexible Shield, Converts to Three Positions, Two Tier

Models

- DCF5FS2 Available in 1" increments up to 120" long



DCF5FS2

Standard Features

- Bottom tier pivots in three positions: full service and two self service positions
- Top tier is fixed shield
- Mostly glass display allows you to see product from every angle
- 1" stainless steel legs
- Meets 2011 NSF requirements
- Flange mounted foot makes installation easy
- Comes fully assembled from the factory
- Standard end glass
- One year parts and labor standard warranty

Options & Accessories

- Radiant heat lamp*
 - Stainless steel shelf
 - Black powder coat
 - Fluorescent light*
 - LED lights*
 - Narrow halogen heatlamp*
 - Narrow halogen heatlamp with xenon lights*
 - Narrow xenon display lights*
- * Inclusion of this option will alter the electrical specifications of the unit

Specifications

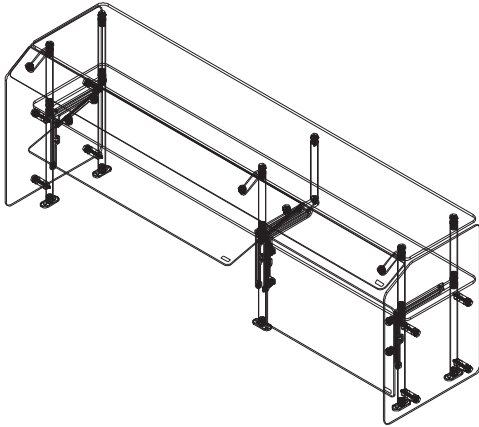
1" stainless steel legs and flanged feet are standard. Models 47.50" (121cm) in length and less will have two sets of legs. Models greater than 47.50" (121cm) in length will have three sets of legs. Top glass is 3/8" tempered. End glass is 1/4" tempered. Front glass is 1/4" tempered. Chrome plated hardware standard.



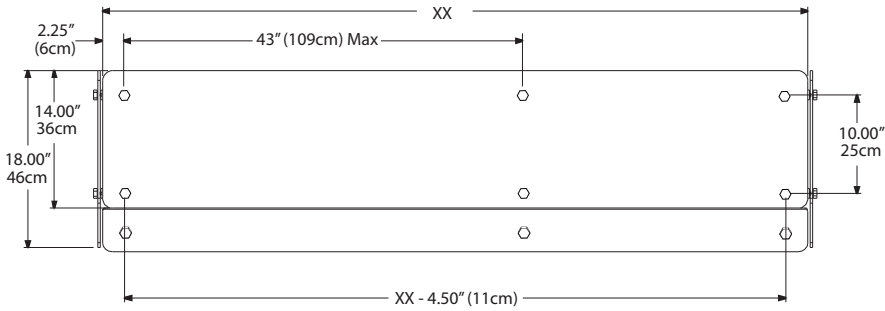


FlexiShield® Food Shields

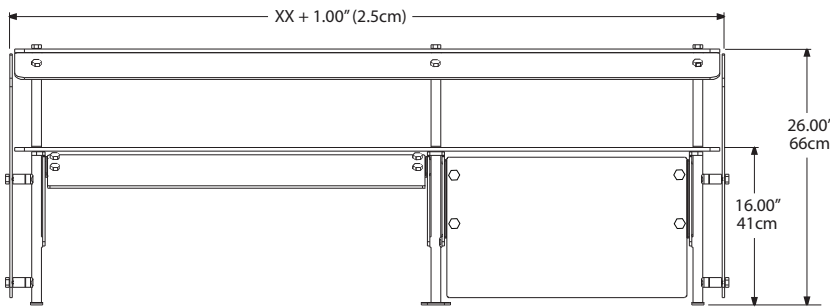
Flexible Shield, Converts to Three Positions, Two Tier



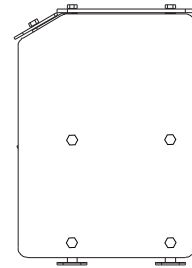
Models 47.50" (121cm) in length and less will have two sets of legs.
Models greater than 47.50" (121cm) in length will have three sets of legs.



Plan View



Elevation View



Side View

Specifications				
Model	L	W	H	Ship Weight
DCFSS2	XX	18.00" (46cm)	26.00" (66cm)	Contact factory

Delfield reserves the right to make changes to the design or specifications without prior notice.

980 S. Isabella Rd.
Mt. Pleasant, Michigan 48858

Phone: 800-733-8948 or 989-773-7981
Fax: 800-669-0619
www.delfield.com

Printed in the U.S.A.
6110_DCFSS2
06/16

