

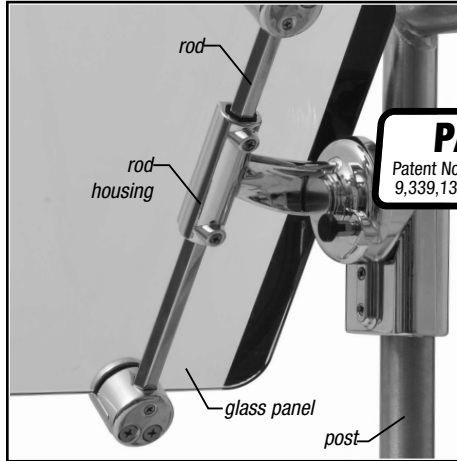


Profit from the Eagle Advantage®

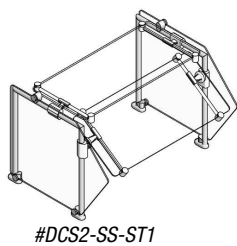
Specification Sheet

Short Form Specifications

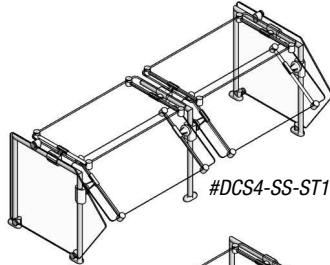
Eagle Group Spec-SHIELD™ Self-Service Food Guard, model # _____. Self-service food shield designed to meet NSF requirements. Front allows maximum customer access to the food product while maximizing protection. Rear allows full access by the kitchen staff for replenishing product. Available in single or double tier models.



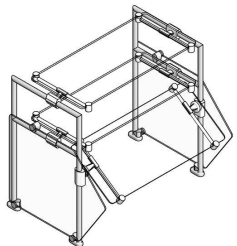
PATENTED
Patent Nos. 9,538,868; 9,516,958;
9,339,131; 9,326,621; 9,723,935



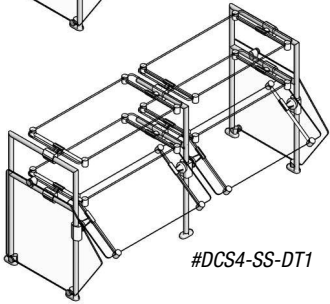
#DCS2-SS-ST1



#DCS4-SS-ST1



#DCS2-SS-DT1



#DCS4-SS-DT1

Item No.: _____
Project No.: _____
S.I.S. No.: _____

Spec-SHIELD™ Self-Service Food Guards

MODELS:

- DCS2-SS-ST1 DCS2-SS-DT1 DCS4-SS-ST1-NC
- DCS3-SS-ST1 DCS3-SS-DT1 DCS4-SS-DT1-NC
- DCS4-SS-ST1 DCS4-SS-DT1
- DCS5-SS-ST1 DCS5-SS-DT1
- DCS6-SS-ST1 DCS6-SS-DT1

Design and Construction Features

- No holes in glass panels allows for flexibility in mounting locations
- Front glass is adjustable vertically and may be rotated on 18° increments
- Top glass is adjustable horizontally.
- 1" stainless steel posts
- Mounting plates are cast aluminum with stainless steel covers
- Die cast aluminum with chrome finish brackets
- 3/4" radius corners on all glass panels
- Top glass is 3/8" thick
- Front glass is 1/4" thick. Optional 3/8" thick front glass required for spans over 54"
- End glass included

Options / Accessories

- Heat lamps
- Lights
- 3 5/8" round mounting plate
- 3" Oval mounting plate
- 3" Oval offset mounting plate
- 2" x 8" rectangular mounting plate
- 3-point anchor
- Custom lengths available

⚠ WARNING:

This product can expose you to chemicals including Chromium, which is known to the state of California to cause cancer and birth defects or other reproductive harm. For more information, go to www.P65Warnings.ca.gov.

EAGLE GROUP

100 Industrial Boulevard
Clayton, DE 19938-8903 USA

Phone: 302-653-3000 • 800-441-8440

Fax: 302-653-2065

www.eaglegrp.com • www.eaglemhc.com

For custom configuration or fabrication needs, contact our SpecFAB® Division.

Phone: 302-653-3000 • Fax: 302-653-2065 • e-mail: quotes@eaglegrp.com

Certifications / Approvals



AutoQuotes



EG33.24A Rev. 09/22

Spec sheets available for viewing, printing or downloading from our online literature library at www.eaglegrp.com

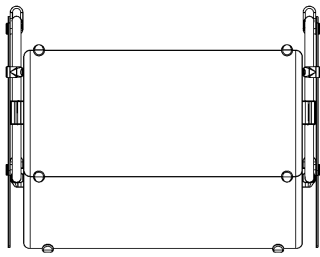
Eagle Foodservice Equipment, Eagle MHC, and SpecFAB® are divisions of Eagle Group. ©2022 by the Eagle Group



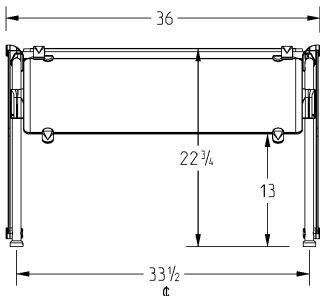
Item No.: _____
 Project No.: _____
 S.I.S. No.: _____

Spec-SHIELD™ Self-Service Food Guards

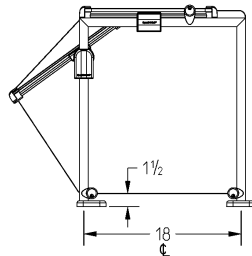
Single-Tier



TOP VIEW



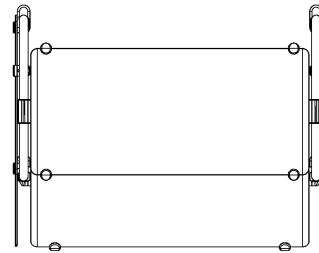
FRONT VIEW



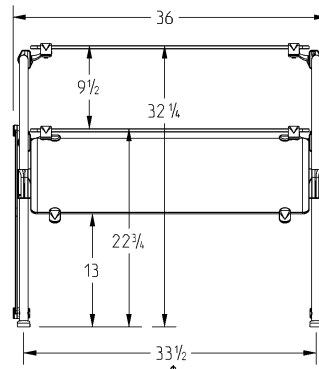
SIDE VIEW

(model #DCS2-SS-ST1 shown)

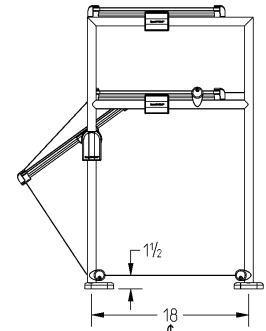
Double-Tier



TOP VIEW



FRONT VIEW



SIDE VIEW

(model #DCS2-SS-DT1 shown)

(note: 36-inch models shown)

fits Series	# of leg assemblies	length		weight		Single-Tier	Double-Tier	
		in.	mm	lbs.	kg	model #	weight lbs. kg	model #
DCS2	2	36"	914	302	137.0	DCS2-SS-ST1	385 174.6	DCS2-SS-DT1
DCS3	2	50"	1270	329	149.2	DCS3-SS-ST1	419 190.1	DCS3-SS-DT1
DCS4	2	64"	1626	367	166.5	DCS4-SS-ST1-NC*	465 210.9	DCS4-SS-DT1-NC*
DCS4	3	64"	1626	363	164.7	DCS4-SS-ST1**	464 210.5	DCS4-SS-DT1**
DCS5	3	78"	1981	390	176.9	DCS5-SS-ST1**	497 225.4	DCS5-SS-DT1**
DCS6	3	96"	2438	423	191.9	DCS6-SS-ST1**	534 242.2	DCS6-SS-DT1**

* Front and top glass are 3/8" thick.
 ** Unit comes with mid support post.

EAGLE GROUP
 100 Industrial Boulevard, Clayton, DE 19938-8903 USA
 Phone: 302-653-3000 or 800-441-8440 • Fax: 302-653-2065
 www.eaglegrp.com • www.eaglehmc.com

Printed in U.S.A.
 ©2022 by Eagle Group
 Rev. 09/22

Spec sheets available for viewing, printing or downloading from our online literature library at www.eaglegrp.com

Although every attempt has been made to ensure the accuracy of the information provided, we cannot be held responsible for typographical or printing errors. Information and specifications are subject to change without notice. Please confirm at time of order.