



T&S BRASS AND BRONZE WORKS, INC.
 2 Saddleback Cove / P.O. Box 1088
 Travelers Rest, SC 29690

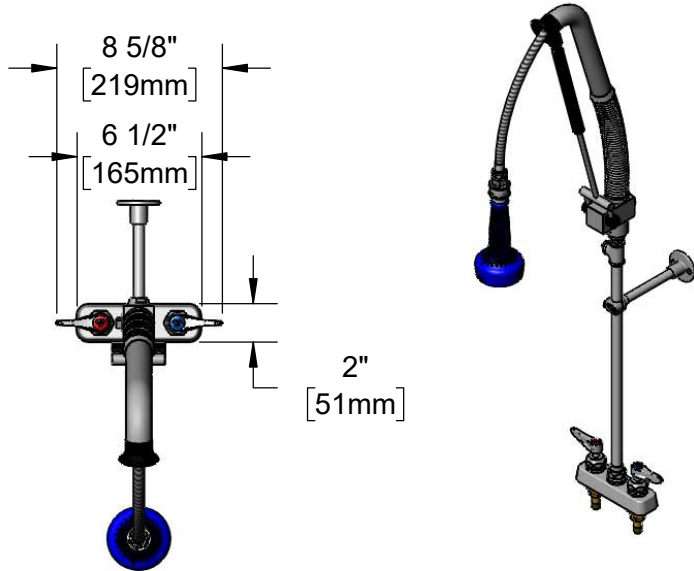
Model No.
B-5110-CR-B8TP

Item No.

Travelers Rest, SC: 800-476-4103 • Simi Valley, CA: 800-423-0150 • Fax: 864-834-3518 • www.tsbrass.com

This Space for Architect/Engineer Approval

Job Name _____ Date _____
 Model Specified _____ Quantity _____
 Customer/Wholesaler _____
 Contractor _____
 Architect/Engineer _____



30" Flexible Stainless Steel
 Hose w/ Spring, Air Cylinder,
 Swivel & 1.07 GPM Sprayer

Items Not Shown
 For Clarity

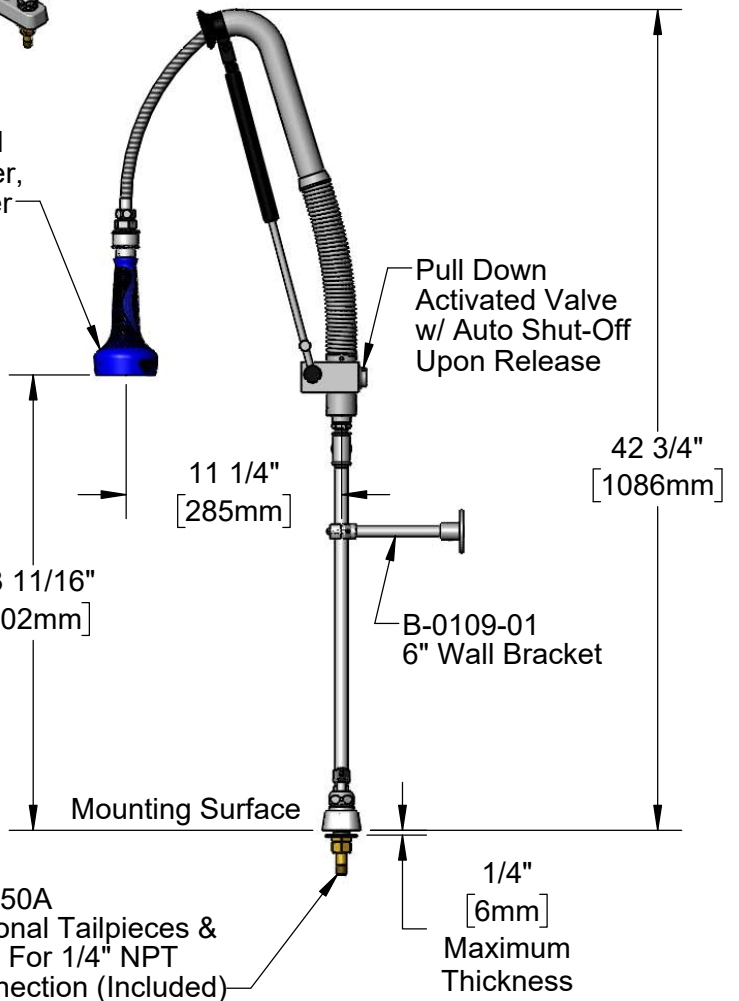
B-TEE-RGD
 Tee for Accessory
 Fittings

3/8" NPT x
 18" Riser

EasyInstall
 Lock Nut &
 Bushing

Quarter-Turn
 Cerama Cartridges w/
 Check Valves &
 Lever Handles w/
 Color Coded Indexes

1/2" NPT
 Male Inlets



Pull Down
 Activated Valve
 w/ Auto Shut-Off
 Upon Release

B-0109-01
 6" Wall Bracket

(2) 150A
 Optional Tailpieces &
 Nuts For 1/4" NPT
 Connection (Included)

1/4"
 [6mm]
 Maximum
 Thickness

3 1/4"
 [82mm]

4"
 [102mm]

Rough-In Requirement:
 (2) ϕ 1" [25mm] Mounting Holes

Product Specifications:

EasyInstall Pull-Down Pre-Rinse Unit: 4" Deck Mount Workboard Faucet, Quarter-Turn Cerama Cartridges w/ Check Valves, Lever Handles, 18" Riser, 30" Flexible Stainless Steel Hose, 1.07 GPM Sprayer, Accessory Tee, 6" Wall Bracket & 1/2" NPT Male Inlets

Product Compliance:

ASME A112.18.1 / CSA B125.1
 NSF 61 - Section 9
 NSF 372 (Low Lead Content)
 2019 DOE PRSV - Class II



T&S BRASS AND BRONZE WORKS, INC.
 2 Saddleback Cove / P.O. Box 1088
 Travelers Rest, SC 29690

Model No.
B-5110-CR-B8TP

Item No.

Travelers Rest, SC: 800-476-4103 • Simi Valley, CA: 800-423-0150 • Fax: 864-834-3518 • www.tsbrass.com

ITEM NO.	SALES NO.	DESCRIPTION
1	019898-40	1.07 GPM Sprayer w/ Swivel
2	108SF-RK	Spray Face Repair Kit
3	001014-45	Washer, B-0100 Hose Barrel
4	018200-40	3/8" NPT Live Swivel
5	005221-25	7/8"-20 x 1/2" BSSP Adapter
6	019901-45	30" Stainless Steel Braided Hose w/ 1/2" NPSM Threads
7	020062-45	Air Cylinder Repair Kit
8	020060-45	Spring & Tube Repair Kit
9	020061-45	Valve Stem Repair Kit
10	020063-45	Valve Body Repair Kit
11	001359-40	Hex Bushing, 1/2" NPT Male x 3/8" NPT Female
12	B-TEE-RGD	3/8" NPT Rigid Tee
13	B-0109-01	6" Wall Bracket
14	000369-40	3/8" NPT x 18" Riser
15	EZ-K	EasyInstall Kit: Nut, Bushing, O-ring & Lock Washer
16	014200-45	Star Washer, Anti-Rotation
17	018506-19NS	Blue Button Index, Press-in
18	000925-45	Lab Handle Screw
19	012395-25NS	Quarter-Turn Cerama Cartridge, LTC w/ Check Valve
20	012447-25NS	Quarter-Turn Cerama Cartridge, LTC w/ Check Valve, Lever Handle, Index & Screw
21	019376-40	Escutcheon Lock Nut
22	019611-40	4" c/c Brass Escutcheon
23	000999-45	Brass Lock Washer
24	002954-45	Shank Lock Nut
25	150A	1/4" NPT Tailpiece & Nut
26	012446-25NS	Quarter-Turn Cerama Cartridge, RTC w/ Check Valve, Lever Handle, Index & Screw
27	012394-25NS	Quarter-Turn Cerama Cartridge, RTC w/ Check Valve
28	001638-45NS	Lever Handle (New Style)
29	001193-19NS	Red Button Index, Press-in
30	020064-45	PRU Control Valve Seal Repair Kit

Product Specifications:
 EasyInstall Pull-Down Pre-Rinse Unit: 4" Deck Mount Workboard Faucet, Quarter-Turn Cerama Cartridges w/ Check Valves, Lever Handles, 18" Riser, 30" Flexible Stainless Steel Hose, 1.07 GPM Sprayer, Accessory Tee, 6" Wall Bracket & 1/2" NPT Male Inlets

Product Compliance:
 ASME A112.18.1 / CSA B125.1
 NSF 61 - Section 9
 NSF 372 (Low Lead Content)
 2019 DOE PRSV - Class II