

Project: _____

Item: _____

Quantity: _____

Aluminum Tables - Stainless Steel Top



Solid Stainless Steel Top



Stainless Steel Top
With Backsplash



Stainless Steel Top
w/ Backsplash & Undershelf

Increase your work space with this stainless steel top, aluminum base, commercial work table.

Great for chopping, sorting, and assembling, this work table provides a sturdy, spacious surface for food prep and storage. With its high weight capacity, easy-to-clean surface, and overall functional design, you can organize your kitchen to create an efficient work flow.

This removable top is made of 16 GA, type 304 stainless steel to provide a sturdy surface for kitchen prep tasks and greater corrosion resistance than type 430 stainless steel options; Making it the ideal choice for your kitchen. Durable and easy to clean, this work table provides you with additional work space so you don't have to overcrowd your countertops.

Optional aluminum undershelves are available for additional storage space. You can store your most used supplies as well as flour, sugar, and more on this shelf to keep it all organized and within your reach.

- Shipped knocked down for freight savings. Easily assembles with tool provided.
- Five-Year Guarantee against material defects and workmanship.
- Lifetime Guarantee against rust and corrosion.
- NSF Certified.



Table Frame is designed to accommodate optional accessories (sold separately):
Boat rack, drawer, back splash and undershelf.



New Age Industrial Corp., Inc. || NewAgeIndustrial.com || Made in the USA

PO Box 520 • 16788 US Hwy 36 • Norton, Kansas 67654 || Phone: (800) 255-0104 • (785) 877-5121 || Fax: (877)-877-7687 • (785) 877-2616

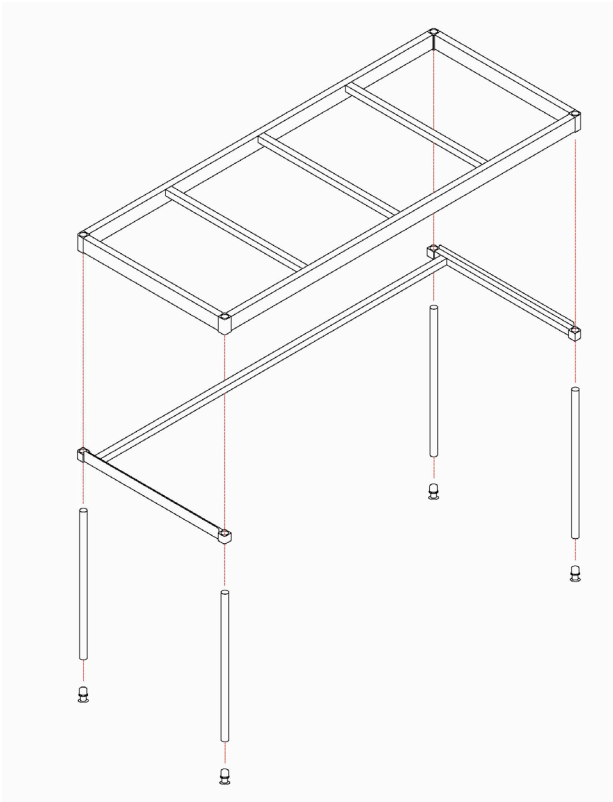
This information is for general sales and engineering use only. New Age Industrial reserves the right to modify or make changes at any time, without notice, to materials and specifications.

Project: _____

Item: _____

Quantity: _____

Aluminum Tables - Stainless Steel Top



- Framework is constructed of 1 1/2" x 1 1/2" x .070" wall tubing.
- Front and back of the top has 1 1/2" x 3 1/8" x .070" wall tubing.
- Table legs are constructed of 1 5/8" diameter pipe.
- Table tops are constructed out of 16 GA Type 304 stainless steel.
- Each table comes equipped with a mounting bracket for boat racks.
- Equipped with four adjustable feet.
- Five-Year Guarantee against material defects and workmanship.
- Lifetime Guarantee against rust and corrosion.
- NSF Certified.

6" Backsplash

Optional 14-gauge stainless steel 6" backsplash helps protect your walls and floors from accidental spills; Helping to maintain a clean and safe work environment. It also gives you that extra assurance that your blender, food processor, or any other small, light-weight piece of equipment won't fall off the back of the work surface.

► Stainless Steel Top Tables

Model No.	Size D-H-L	Weight Capacity	Ship Lbs.	Model No.	Size D-H-L	Weight Capacity	Ship Lbs.	Model No.	Ship Lbs.
Solid Stainless Steel Top -- No Backsplash				Stainless Steel Top With 6" Backsplash				Undershelf	
24SS36KD	24" x 35 1/2" x 36"	1500 lbs.	46	24SSB36KD	24" x 35 1/2" x 36"	1500 lbs.	49	24US36KD	8
24SS48KD	24" x 35 1/2" x 48"	1500 lbs.	59	24SSB48KD	24" x 35 1/2" x 48"	1500 lbs.	61	24US48KD	11
24SS60KD	24" x 35 1/2" x 60"	1500 lbs.	74	24SSB60KD	24" x 35 1/2" x 60"	1500 lbs.	77	24US60KD	14
24SS72KD	24" x 35 1/2" x 72"	1500 lbs.	81	24SSB72KD	24" x 35 1/2" x 72"	1500 lbs.	88	24US72KD	17
24SS84KD	24" x 35 1/2" x 84"	1500 lbs.	112	24SSB84KD	24" x 35 1/2" x 84"	1500 lbs.	115	24US84KD	19
24SS96KD	24" x 35 1/2" x 96"	1500 lbs.	116	24SSB96KD	24" x 35 1/2" x 96"	1500 lbs.	119	24US96KD	22
30SS36KD	30" x 35 1/2" x 36"	1500 lbs.	51	30SSB36KD	30" x 35 1/2" x 36"	1500 lbs.	52	30US36KD	10
30SS48KD	30" x 35 1/2" x 48"	1500 lbs.	63	30SSB48KD	30" x 35 1/2" x 48"	1500 lbs.	65	30US48KD	13
30SS60KD	30" x 35 1/2" x 60"	1500 lbs.	71	30SSB60KD	30" x 35 1/2" x 60"	1500 lbs.	80	30US60KD	17
30SS72KD	30" x 35 1/2" x 72"	1500 lbs.	87	30SSB72KD	30" x 35 1/2" x 72"	1500 lbs.	95	30US72KD	20
30SS84KD	30" x 35 1/2" x 84"	1000 lbs.	101	30SSB84KD	30" x 35 1/2" x 84"	1000 lbs.	110	30US84KD	23
30SS96KD	30" x 35 1/2" x 96"	1000 lbs.	114	30SSB96KD	30" x 35 1/2" x 96"	1000 lbs.	125	30US96KD	27



New Age Industrial Corp., Inc. || NewAgeIndustrial.com || Made in the USA

PO Box 520 • 16788 US Hwy 36 • Norton, Kansas 67654 || Phone: (800) 255-0104 • (785) 877-5121 || Fax: (877)-877-7687 • (785) 877-2616

This information is for general sales and engineering use only. New Age Industrial reserves the right to modify or make changes at any time, without notice, to materials and specifications.