

Specification/Data sheet

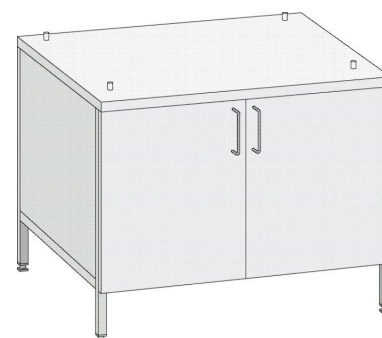
Cabinet US 4 type 61/101 - Marine version



Article number: 60.30.346

Description

- Marine version closed on all sides
- 671 mm height (27 3/8")
- 14 Rails
- Rail distance 65 mm
- Free space from lowest rack to the bottom plate 57 mm
- Top panel, intermediate bottom, deep-drawn shelf rests
- Adjustable feet
- Deep-drawn beaded side panels
- Hinged doors
- Weight 44 kg
- 845(33-1/4) mm(inch)W x 751(29-5/8) mm(inch)D x 671(26-3/8) mm(inch)H



Difference to standard

- Special stainless steel feet for direct fastening on the floor
- Containers secured against sliding out

Capacity (GN-container/grids)

- 1/1 GN Grid x 14
- 1/1 Baking trays/grids x 14
- 1/1 Baking tray, Aluminium perforated x 14
- 1/1 GN 20 mm deep x 14
- 1/1 GN 40 mm deep x 14
- 1/1 GN 65 mm deep x 13
- 1/1 GN 100 mm deep x 8
- Use of other containers 1/3 GN, 1/2 GN, steam pans 12" x 20", hotel pans 13" x 18" (2/3 GN, 1/4 GN crosswise)

Material

- CNS 1.4301, CNS 304 (incl. feet)

Hint

- Use in conjunction with fastening kit for mounting the cabinet on the floor (included in the delivery)

Specification/Data sheet
Cabinet US 4 type 61/101 - Marine version

