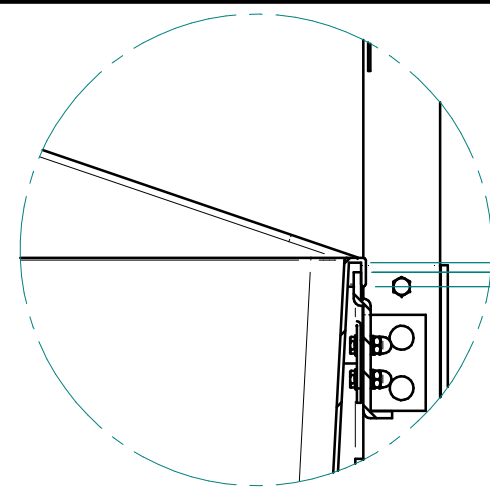


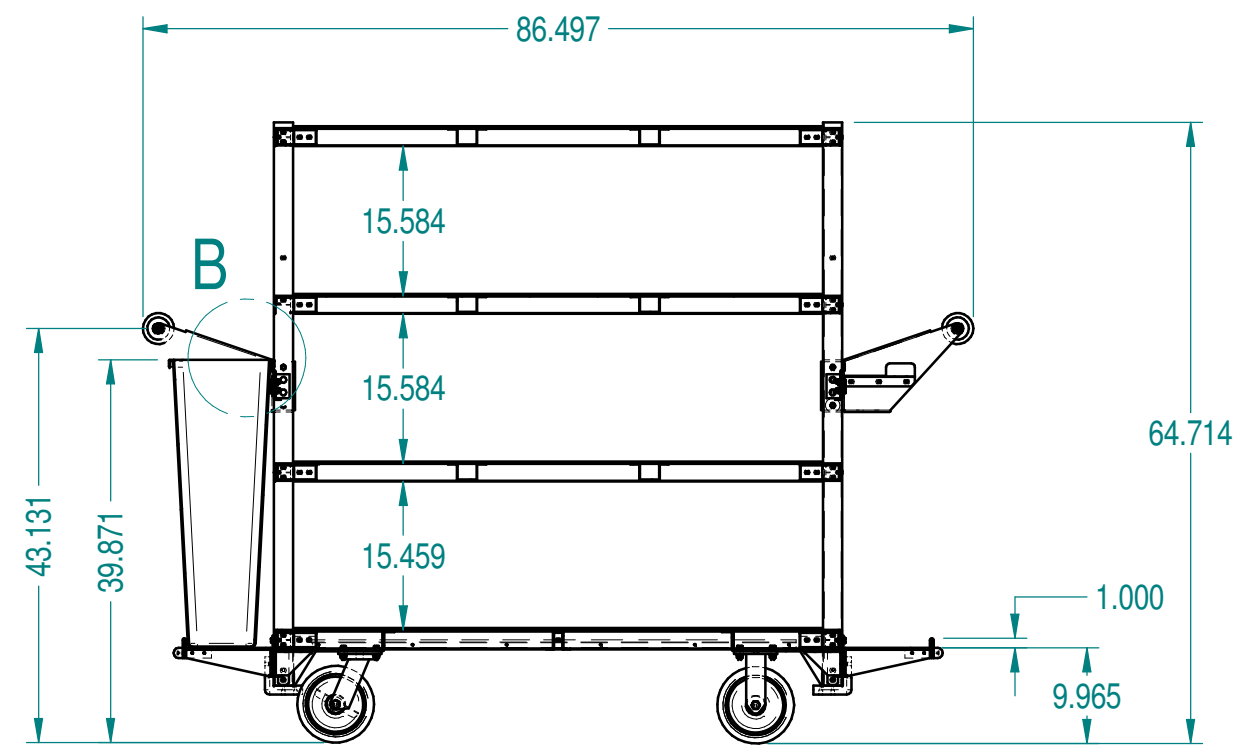
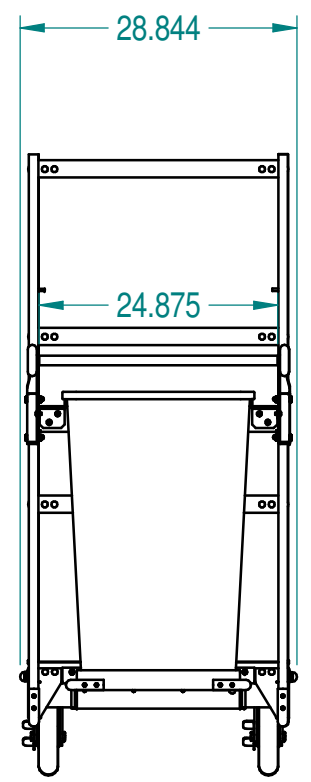
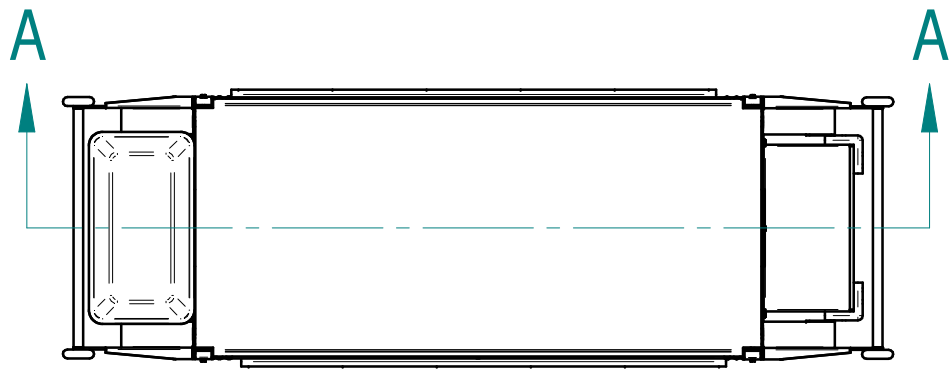
<b>B</b>	<b>5522-005</b>
MODEL	NEXT ASSY
271515927	



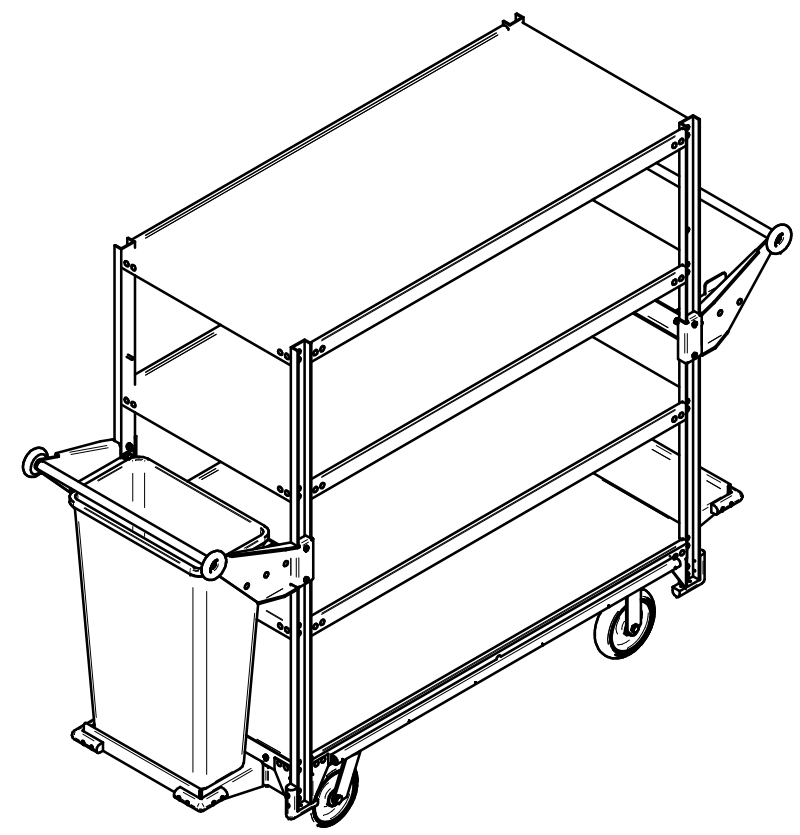
.254 CLEARANCE TYP.

.371 TYP.

**DETAIL B**



**SECTION A-A**



		DR. BY <b>JB</b>	DATE <b>8/5/16</b>	TOLERANCES UNLESS OTHERWISE NOTED CHECK ONE <input checked="" type="checkbox"/> ±0.031 (±1/32)   ANGLES ±2° <input type="checkbox"/> ±0.005   HOLES ±.003 TOLERANCES ARE NON-CUMULATIVE	BLANK
		CHK. BY	DATE		
		APPR.	DATE	<b>CRES COR</b> 5925 Heisley Road, Mentor, OH 44060-1833	MATL
		SCALE <b>1:20</b>	TITLE <b>RACK ASSY</b>		THE INFORMATION CONTAINED HEREIN IS PROPRIETARY TO CRESCENT METAL PRODUCTS, INC. d/b/a "CRES COR". ANY UNAUTHORIZED USE IS STRICTLY PROHIBITED.
E.C.O.	DATE	REVISION	BY		<b>B</b> <b>5522-005</b>