

## "PB-DIS2016-2" PRO-BOWL HAND SINKS

### *Drop-In, (2) 20"x16"x12" Deep Bowl*

#### FEATURES:

- Fabricated Bowl
- All Sink Bowls Have Large Liberal Radii Corners
- Includes 3-1/2" Basket Drain
- Deck Mount Faucet Holes - 4" On-Center

#### SPECIFICATIONS:

- Bowl: Stainless Steel Tops Are TIG Welded, Exposed Welds Are Polished To Match Adjacent Surface
- Bowl: Type 300 Stainless Steel Polish, Satin Finish
- Bracket: Type 300 Stainless Steel Polish, Satin Finish
- Drain: 3-1/2" Drain Opening, With 1-1/2" NPS Outlet Connection

#### CERTIFICATIONS:



PB-DISINK201612-2

### ACCESSORIES

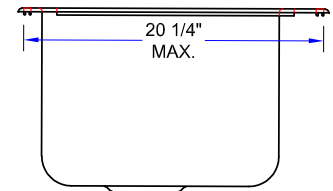
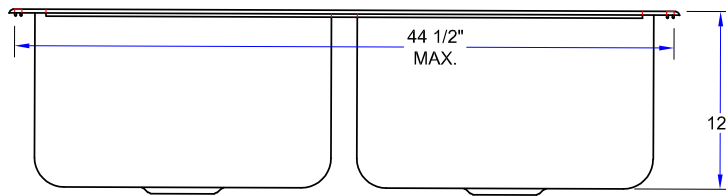
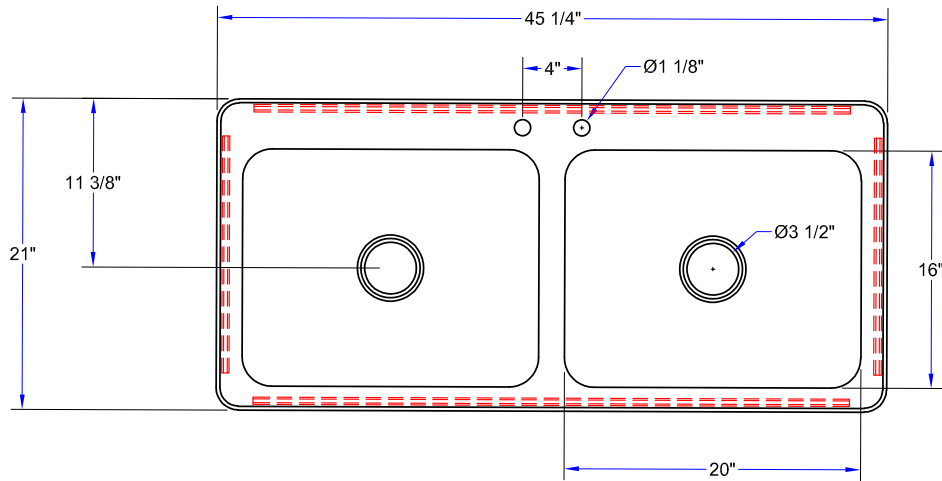
MODEL
Faucets
ADA Wrist Blades
Towel Dispenser
Lever Wastes
Over Flows
P-Traps

### "PB-DIS2016-2" PRO-BOWL HAND SINKS

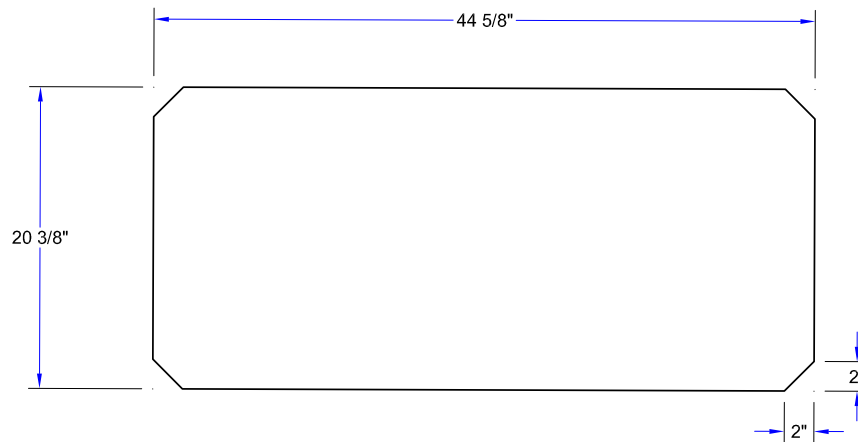
MODEL	BOWL SIZE (L X W X H)	OVERALL SINK SIZE (L X W X H)	WEIGHT (LBS)
PB-DISINK201612-2	(2) 20"x16"x12"	45-1/4"x21"x12"	50

ALL DIMENSIONS ARE TYPICAL. TOLERANCE +/- .500". JOHN BOOS & CO. RESERVES THE RIGHT TO CHANGE SPECIFICATIONS WITHOUT NOTICE.

# DETAILED SPECIFICATIONS



## CUT-OUT SIZE



## "PB-DIS2016-2" PRO-BOWL HAND SINKS

MODEL	BOWL SIZE (L X W X H)	OVERALL SINK SIZE (L X W X H)	WEIGHT (LBS)
PB-DISINK201612-2	(2) 20"x16"x12"	45-1/4"x21"x12"	50

ALL DIMENSIONS ARE TYPICAL. TOLERANCE +/- .500". JOHN BOOS & CO. RESERVES THE RIGHT TO CHANGE SPECIFICATIONS WITHOUT NOTICE.