

THIS DRAWING IS THE PROPERTY OF JADE RANGE LLC NO PART OF THIS DOCUMENT MAY BE COPIED OR USED WITHOUT THE WRITTEN PERMISSION.

THIS DRAWING IS A CONCEPTUAL LAYOUT, SUBJECT TO CHANGES AS THE FINAL MANUFACTURING PARTS ARE CREATED.

ITEM	QTY	MODEL #	DESCRIPTION	BTU/HR	AMP
1	1	JTRH-ROBATA, 60	TITAN 60", ROBATA RANGE (DOUBLE CHAMBER)	140,000	N/A

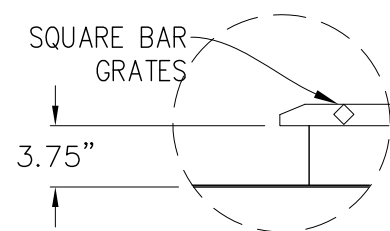
TOTAL GAS BTU/HR: 140,000  
TOTAL AMPS: N/A

REVISIONS					
REV	DESCRIPTION	ECN	BY	DATE	APPROVED
A	INITIAL DRAWING PER REQUEST	XXX	ECS	07.11.19	

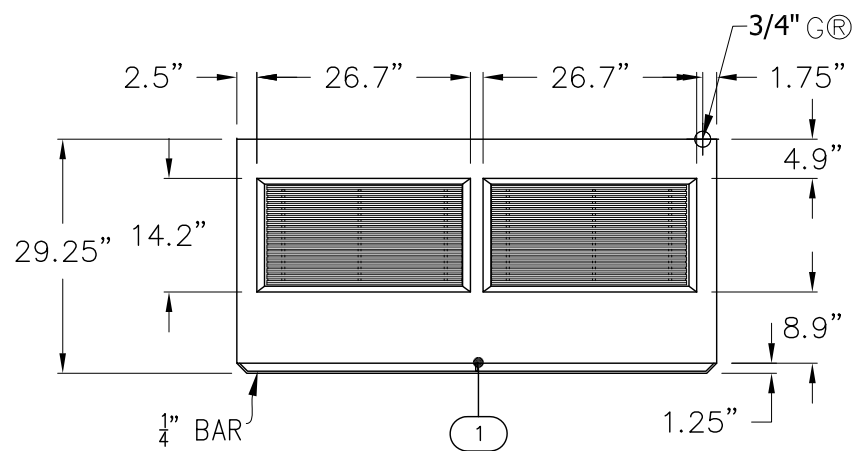
CHANGES TO DRAWING MAY RESULT IN CHANGES TO DELIVERY DATE & COST

NOTE:

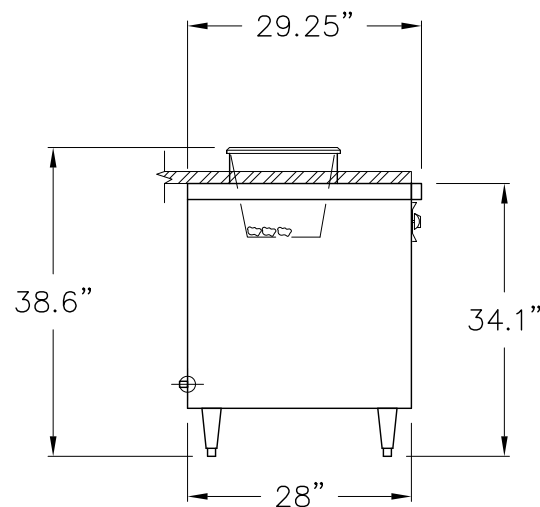
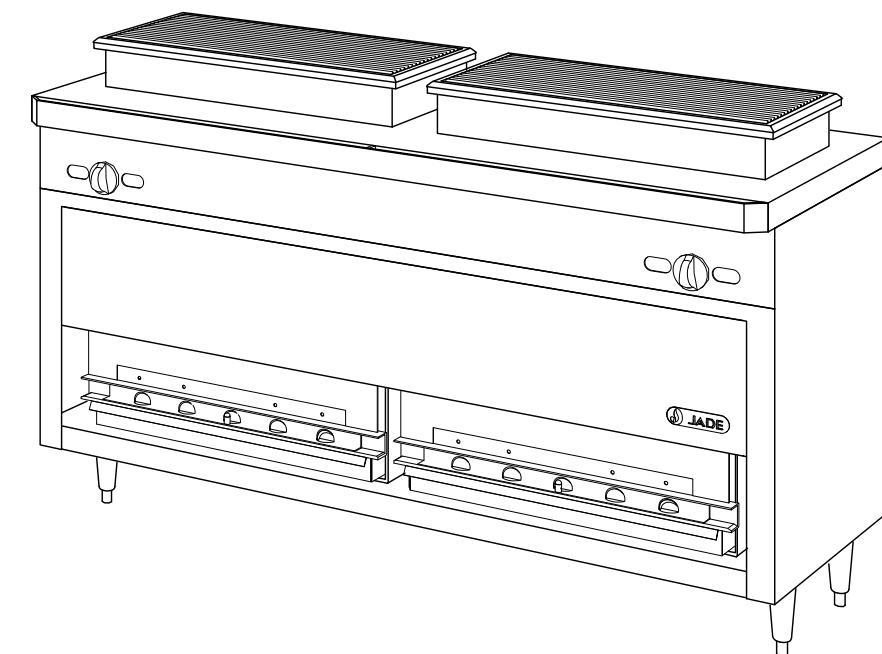
- All units ship assembled unless otherwise specified. Jade Range ships salamanders and cheesemelters range mounted and line-ups & suites ship in as large of sections as possible for easier assembly onsite at the time of install.



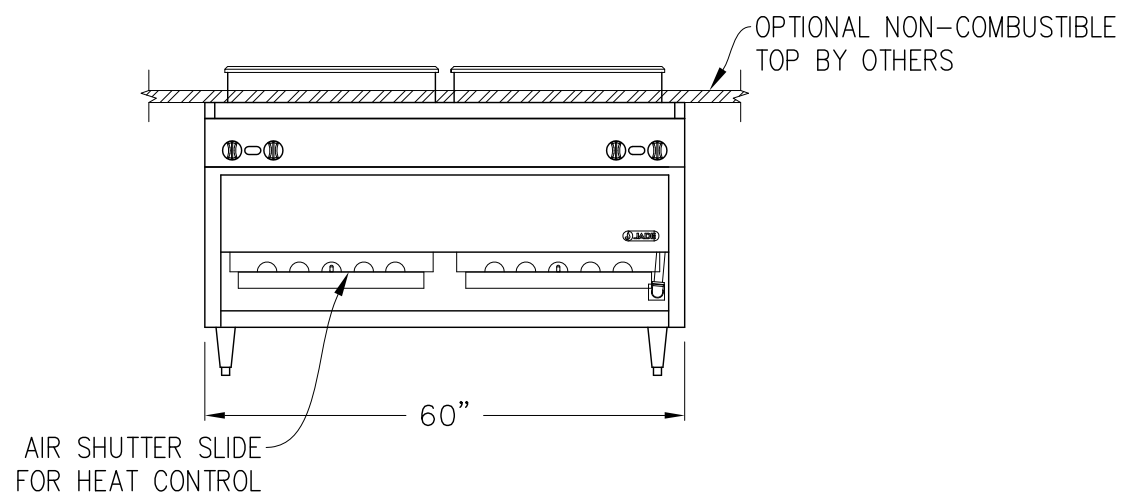
DETAIL A



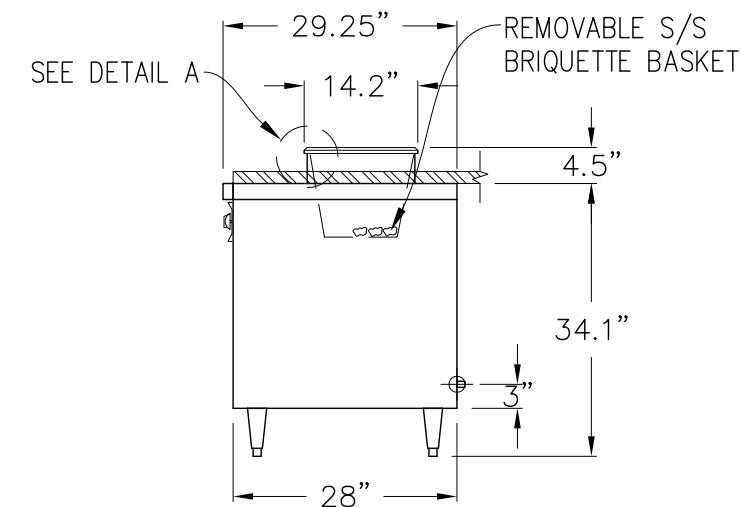
PLAN VIEW



SIDE VIEW



ELEVATION



SIDE VIEW

MIN 6" CLEARANCE ABOVE FLUE PEDESTALS

GAS TYPE:  
ELEVATION:  
TO BE SPECIFIED BEFORE MFG.

1. ⚙️ REGULATOR AND GAS CONNECTION  
⚡ ELECTRICAL CONNECTION  
⚙️ DRAIN  
❄ REFRIGERATION  
💧 WATER
2. GAS SHUT-OFF VALVES AND CONNECTIONS SUPPLIED BY OTHERS.
3. ALL ELECTRICAL WORK (INSTALLATIONS AND CONNECTIONS) MUST BE PROVIDED BY OTHERS (BY CERTIFIED ELECTRICIAN)

PROJECT MANAGER: CAEL GOODIN



UNLESS OTHERWISE NOTED DIMENSIONS ARE IN INCHES AND TOLERANCES: .X±.125 .XX±.03 .XXX±.015. ANGLES ±1°

MATERIAL	DRAWN	ECS	07.11.19
FINISH	CHECKED		
	APPROVED		

DESC	60" ROBATA, GAS		
FOR	SIZE	DWG NO	
	B	19322A	
SCALE	1/2" = 1'-0"		SHEET 1 OF 1