

CTX DZ55T

Infrared Conveyor Oven

Project _____

Item No. _____

Quantity _____



STANDARD FEATURES

- 18-gauge stainless steel exterior
- Fully insulated on all sides
- Top and bottom infrared emitters evenly heat (two on top and two on bottom)
- “Cool Skin” safety feature keeps the external surface of the oven under 120°F
- Quiet operation
- Independently-controlled microprocessor with time/date clock, standby mode, and self-cleaning cycle
- The operator can preset up to 15 different time and temperature combinations
- Stackable up to three high
- For installation under a ventilation hood
- One-year parts and labor warranty – includes start-up and demonstrations (U.S. only)

PRINCIPLE

The CTX delivers perfection time and time again. The automated cooking platform is designed to cook, bake, broil, sear, steam, or sous vide in high-volume kitchens. The versatile CTX could be the only piece of equipment needed in the kitchen. Not only can the CTX cooking platform eliminate remakes and meal comps, but cooking consistency is matched with faster bake times than any traditional cooking equipment at up to 60% faster for some menu items. Help keep labor cost down with the CTX automated cooking platform, as customers using the oven reported 3,300 kitchen labor hours eliminated per year.

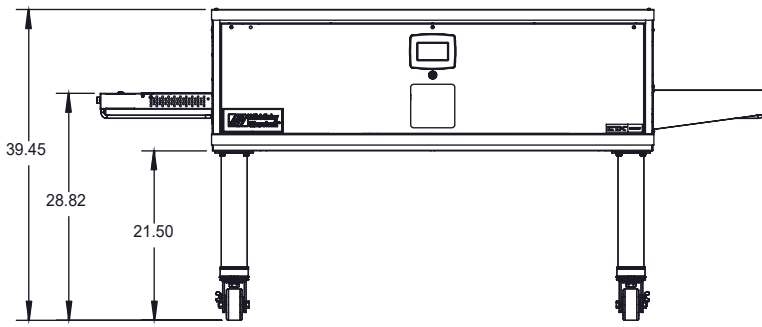
OPTIONAL FEATURES

- Split belt with individually-adjustable speed settings
- Exit trays (various lengths)

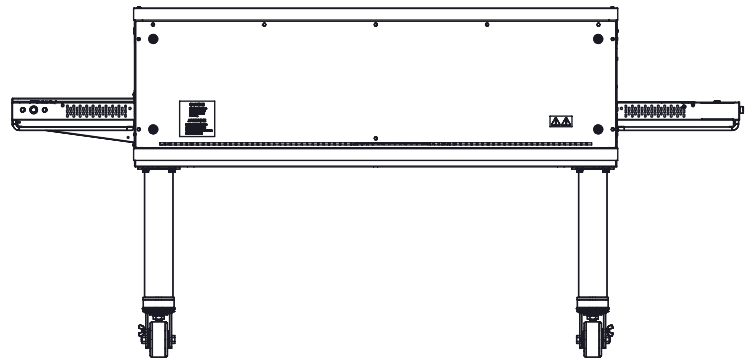
CERTIFICATIONS



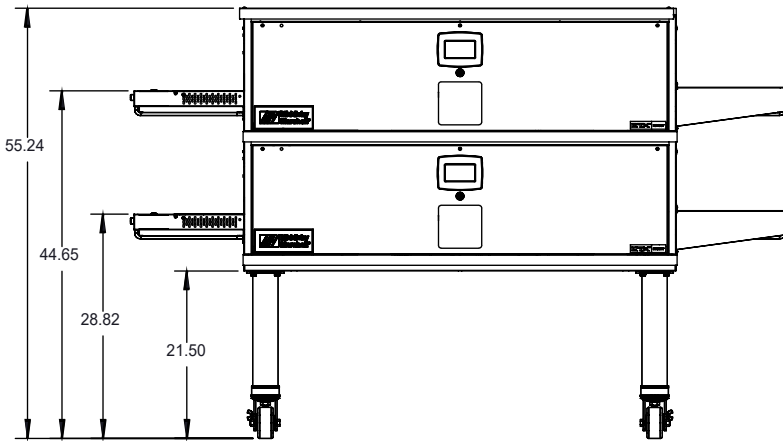
Middleby Marshall reserves the right to make substitutions of components or change specifications without prior notice.



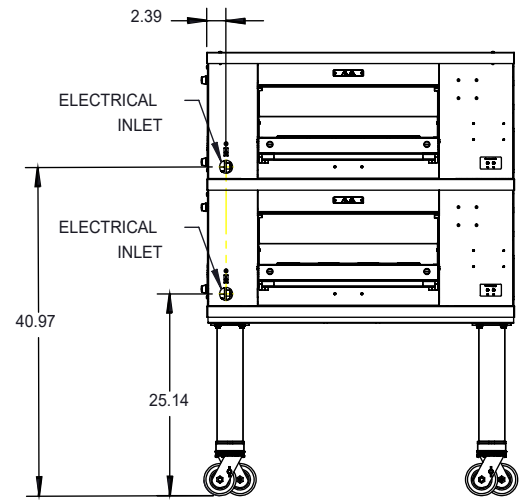
Front View with 15" Legs



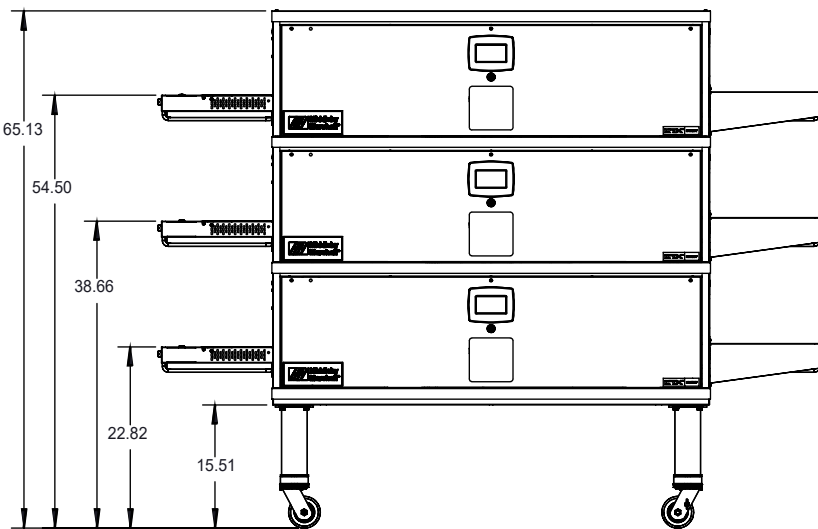
Rear View with 15" Legs



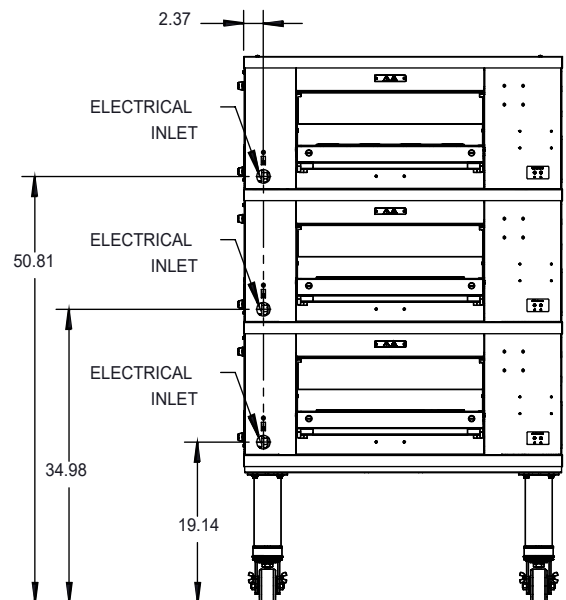
Front View – Double Stacked with 15" Legs



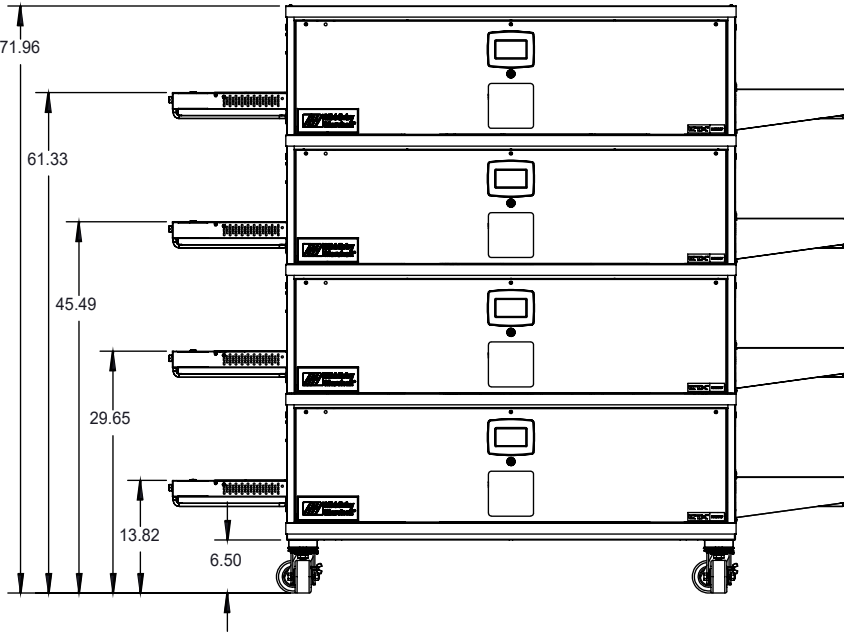
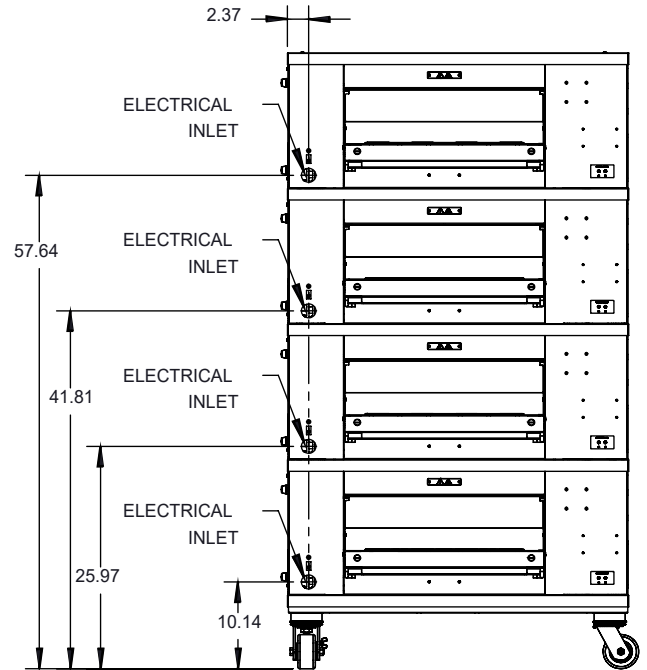
Side View – Double Stacked with 15" Legs



Front View – Triple Stacked with Casters



Side View – Triple Stacked with Casters


Front View – Quad Stacked with Casters

Side View – Quad Stacked with Casters
Electrical Specification

VOLTAGE	PHASE	FREQUENCY	RATED HEAT INPUT	AVG OPERATING	AMPERAGE*				SUPPLY	BREAKERS
					L1	L2	L3	N		
208 V*	1**	50/60 Hz	20 kW	17.4 kW	40.4	40.2	-	-	3-wire (2L+G)	75 A*
208 V*	3	50/60 Hz	20 kW	17.4 kW	29.4	26.7	19.5	-	4-wire (3L+G)	50 A*
240 V*	1**	50/60 Hz	20 kW	18.3 kW	38.4	38.3	-	-	3-wire (2L+G)	75 A*
240 V*	3	50/60 Hz	20 kW	18.3 kW	27.5	25.4	17.7	-	4-wire (3L+G)	50 A*
380 V*	3	50/60 Hz	16.8 kW	15.1 kW	20.2	10.6	8.6	10.6	5-wire (3L+N+G)	40 A*
380 V CE	3	50/60 Hz	16.8 kW	15.1 kW	20.2	10.6	8.6	10.6	5-wire (3L+N+G)	40 A*
230 V CE	1	50/60 Hz	18.4 kW	10.2 kW	38.6	38.5	-	-	3-wire (2L+G)	75 A*

* Canada and others require a breaker 5 amps greater than the breaker size shown.