

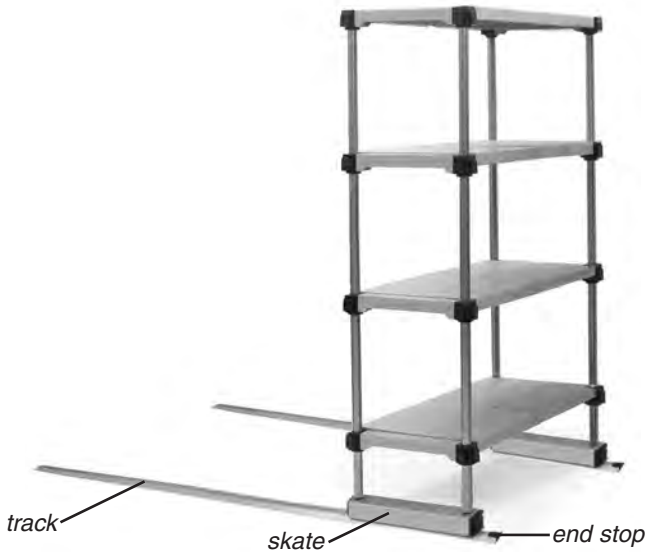


Profit from the Eagle Advantage®

Specification Sheet

Short Form Specifications

Eagle Floor-Trak® Shelving for Lifestor Polymer Shelving, with non-corrosive aluminum tracks with end stops. Each skate kit includes two skates which are aircraft quality aluminum, with stainless steel inserts and hardened steel ball bearings. One kit required for each mobile unit. Post Kits include four 16/304 stainless steel posts and hardware. System is ADA compliant. Note: Floor-Trak®, skate kits, post kits, and shelving all need to be ordered separately.



Floor-Trak® unit shown assembled with LIFESTOR® starter unit**

** LIFESTOR® Polymer Shelving System sold separately. For further information about LIFESTOR®, consult spec sheets #EG01.12A and #EG01.12B.

Options / Accessories

- Bumper brackets
- Shim Kit (#912991)
- Foot Brake Kit (#MFBK-S)

EAGLE GROUP
100 Industrial Boulevard, Clayton, DE 19938-8903 USA
Phone: 302-653-3000 • Fax: 302-653-2065
www.eaglegrp.com

Foodservice Division: Phone 800-441-8440
MHC/Retail Display Divisions: Phone 800-637-5100

For custom configuration or fabrication needs, contact our **SpecFAB® Division**.
Phone: 302-653-3000 • Fax: 302-653-3091 • e-mail: specfab@eaglegrp.com

Item No.: _____
 Project No.: _____
 S.I.S. No.: _____

Floor-Trak® Systems—for use with LIFESTOR® Polymer Shelving

MODELS:

- SDFT-*
- LSFSK-*
- TLEP63-S
- TLEP74-S

* See charts for complete model numbers.

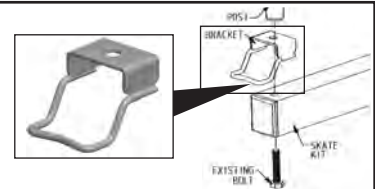
- Floor-Trak™ system designed for use with LIFESTOR® shelving units.
- Consolidates space.
- Low profile, non-corrosive track constructed of stainless steel and anodized aluminum.
- The system is ADA-compliant.
- Simple and easy to install.
- Easy to add on additional tracks and units.
- Open construction allows for the use of cart covers when required.
- Industrial-type, hardened steel bearings allow loaded units to glide effortlessly over the track.

LIFESTOR® Shelving (sold separately)

- High-density polymer shelf sections are non-corrosive and dishwasher-safe.
- Shelf sections feature MICROGARD®, an antimicrobial agent that retards the growth of bacteria, mold and mildew on shelf surfaces.
- Posts available in type 304 stainless steel or zinc with clear epoxy.
- LIFESTOR® shelving accessories available—see spec sheet #EG01.12D.

Bumper Brackets available:

- Helps prevent shelf unit from tipping over due to uneven floor or due to unevenly distributed weight of shelf contents.
- Once installed, brackets hover over track of Floor-Trak® system, but do not make contact with track unless shelf unit begins to tip over.
- Easily attaches to skate kit of any Floor-Trak® system, along with post of adjoining shelf unit.
- All-welded stainless steel construction, with heavy duty 1/4" (6mm)-diameter rod.



...sold as kits

for use with	# of brackets included	model #
single-deep skate kits	4	SDSKATB-S

...sold individually (hardware included)

model # SKATB-S

Certifications / Approvals



EG01.40 Rev. 05/10

Spec sheets available for viewing, printing or downloading from our online literature library at www.eaglegrp.com

Eagle Foodservice Equipment, Eagle MHC, SpecFAB®, and Retail Display are divisions of Eagle Group. ©2010 by the Eagle Group

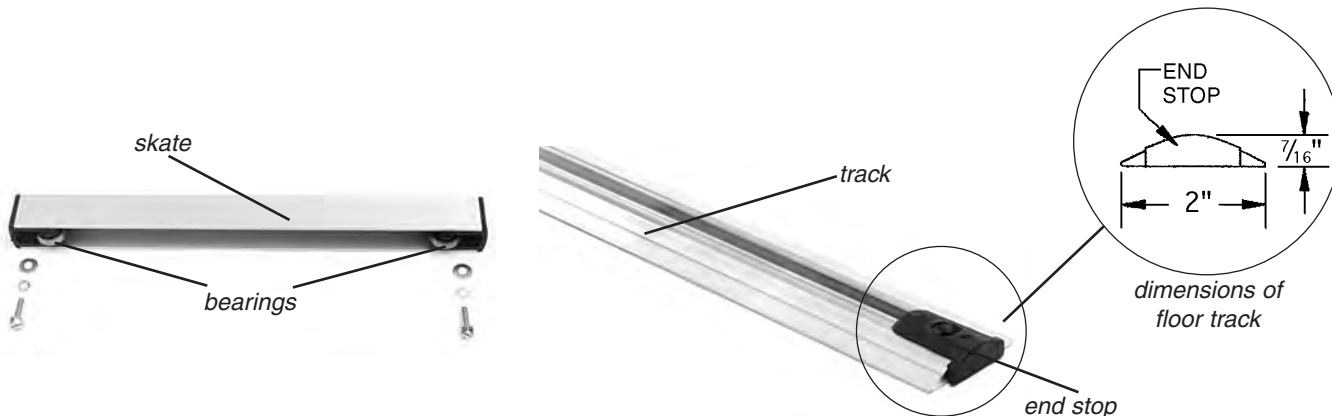


Profit from the Eagle Advantage®

Item No.: _____
 Project No.: _____
 S.I.S. No.: _____

Floor-Trak® Systems—for use with LIFESTOR® Polymer Shelving*

(*LIFESTOR® Polymer Shelving System sold separately.)



(Note: The tracks can be secured to the floor via supplied anchor bolts that run through each end stop. Silicone should be applied after mounting tracks to the floor.)

Floor Track Kits

Each kit consists of a pair of aluminum tracks with end stops. All hardware and assembly instructions included. For tracks longer than 21' (6401mm), order multiple tracks. Example: for 30' (9144mm), use one 20' (6096mm) track and one 10' (3048mm) track.

model #	length		weight	
	in.	mm	lbs.	kg
SDFT-6	6'	1829	5	2.3
SDFT-7	7'	2134	5	2.3
SDFT-8	8'	2438	6	2.7
SDFT-9	9'	2743	7	3.2
SDFT-10	10'	3048	8	3.6
SDFT-11	11'	3353	8	3.6
SDFT-12	12'	3658	9	4.1
SDFT-13	13'	3962	10	4.5

model #	length		weight	
	in.	mm	lbs.	kg
SDFT-14	14'	4267	11	5.0
SDFT-15	15'	4572	11	5.0
SDFT-16	16'	4877	12	5.4
SDFT-17	17'	5181	13	5.8
SDFT-18	18'	5486	14	6.4
SDFT-19	19'	5791	14	6.4
SDFT-20	20'	6096	15	6.8
SDFT-21	21'	6401	16	7.3

Skate Kits

Kit includes two skates and all necessary parts and hardware. Skates are aircraft-quality aluminum with stainless steel inserts and hardened steel ball bearings. One kit is required for each mobile unit. Shelves and posts sold separately.

Note: When assembling with shelf unit, add 1" (25mm) to width and length of shelf unit.

model #	width		weight	
	in.	mm	lbs.	kg
LSDSK-18	18"	457	6	2.7
LSDSK-23	23"	584	7	3.2

Post Kits for use with Floor-Trak® Skate Kits

Required for use with Skate Kits. Each kit includes four 16 gauge type 304 stainless steel posts and hardware.

model #	post height		weight	
	in.	mm	lbs.	kg
TLEP63-S	63"	1600	17	7.7
TLEP74-S	74"	1880	20	9.0

EAGLE GROUP
 100 Industrial Boulevard, Clayton, DE 19938-8903 USA
 Phone: 302-653-3000 • Fax: 302-653-2065
 www.eaglegrp.com

Foodservice Division: Phone 800-441-8440
 MHC/Retail Display Divisions: Phone 800-637-5100

Printed in U.S.A.
 ©2010 by Eagle Group

Rev. 05/10

Spec sheets available for viewing, printing or downloading from our online literature library at www.eaglegrp.com

Although every attempt has been made to ensure the accuracy of the information provided, we cannot be held responsible for typographical or printing errors. Information and specifications are subject to change without notice. Please confirm at time of order.