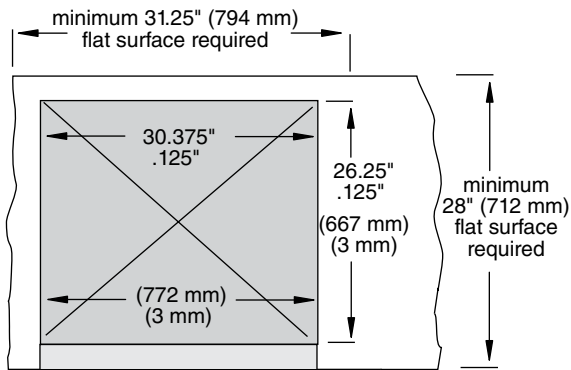


Counter cutout details for Vision 155 and 300 series dispensers

VU155N and VU155 series with 8 valves
and CVU155N series
drop-in installation

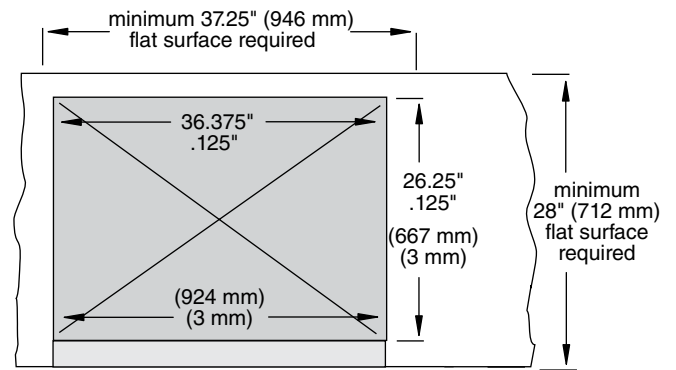
Plan View



front of counter may be removed for slide-in installations

VU155 series with 10 valves
drop-in installation

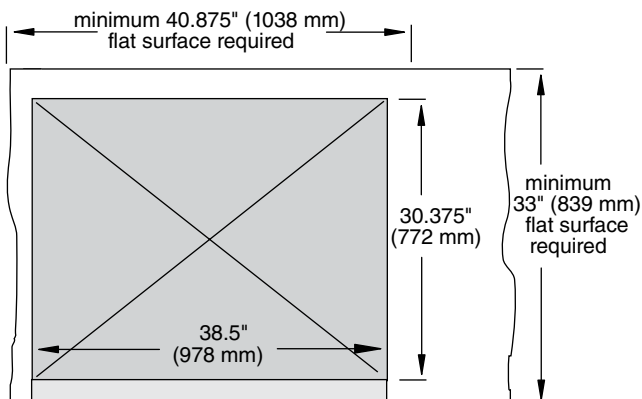
Plan View



front of counter may be removed for slide-in installations

VU300 and VU300N series
drop-in installation

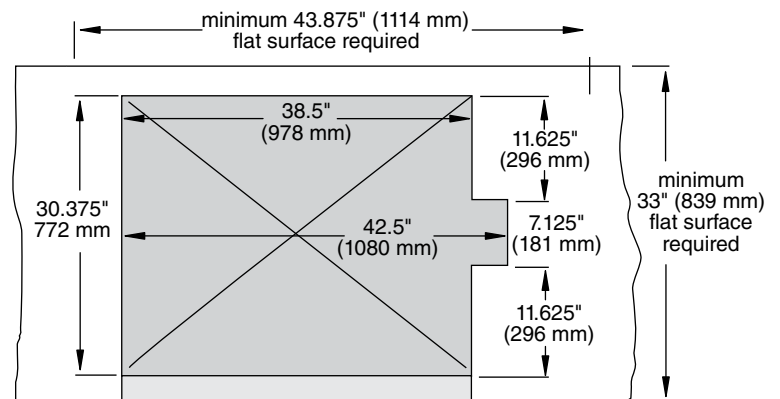
Plan View



front of counter may be removed for slide-in installations

VU300MD series (dual-sided dispensing)
drop-in installation

Plan View*



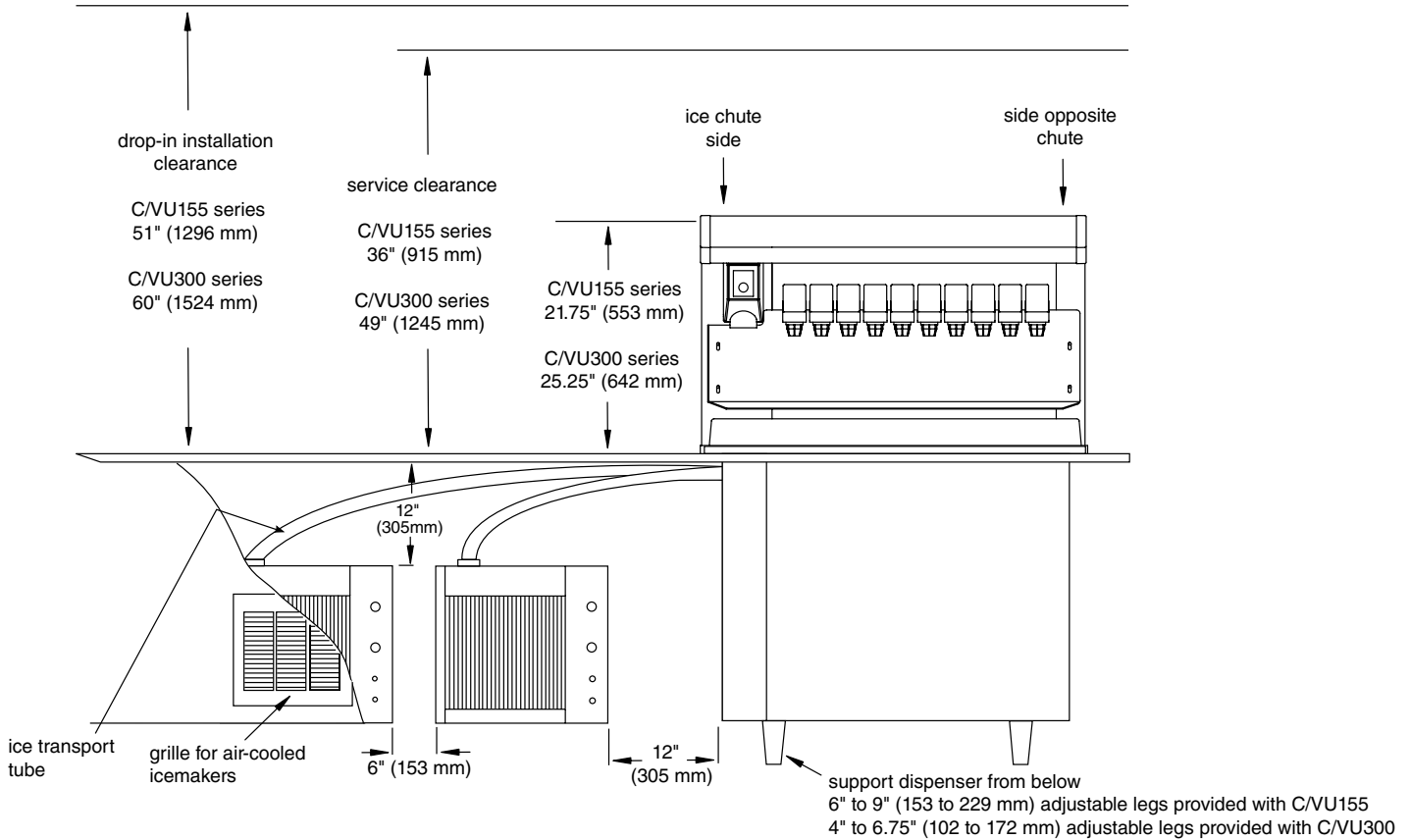
front of counter may be removed for slide-in installations

* Note: Cut out shown is for a unit with a left hand tower.

Dispenser clearance information

Dispenser clearances

Front View



Clearance and support requirements*

	VU155 and CVU155 series	VU300 and CVU300 series	VU300MD series
Dispenser			
Above counter for drop-in installations	51.000" (1296 mm)	60.000" (1524 mm)	60.000" (1524 mm)
Above counter for service access (auger removal)	36.000" (915 mm)	49.000" (1245 mm)	49.000" (1245 mm)
Side of dispenser opposite ice chute	12.000" (305 mm)	0" clearance required. 6" (153 mm) clearance required if tube enters this side.	12.000" (305 mm)
Side of dispenser with ice chute	0" clearance required. 6" (153 mm) clearance required if tube enters this side.	12.000" (305 mm)	12.000" (305 mm)
Removable counter panel for access	Side opposite ice chute	Ice chute side	Both sides
Support requirement for dispenser	Legs or channels	Legs or channels	Legs or channels

	VU155 and CVU155 series	VU300 and CVU300 series	VU300MD series
Satellite-fill™ icemaker (auto-fill kit)			
Between icemakers and dispenser	12.000" (305 mm)	12.000" (305 mm)	12.000" (305 mm)
Between two icemakers	6.000" (153 mm)	6.000" (153 mm)	6.000" (153 mm)
Above icemaker	12.000" (305 mm)	12.000" (305 mm)	12.000" (305 mm)
Counter depth for icemakers	22.750" (578 mm)	22.750" (578 mm)	22.750" (578 mm)
Maximum counter thickness for ice tube entry	1.500" (39 mm)	1.375" (35 mm)	1.375" (35 mm)
Support requirement for icemakers	Machine stand, slider or channels	Machine stand, slider or channels	Machine stand, slider or channels

* Contact factory if any of these conditions cannot be met.

Satellite-fill icemaker auto-fill requirements

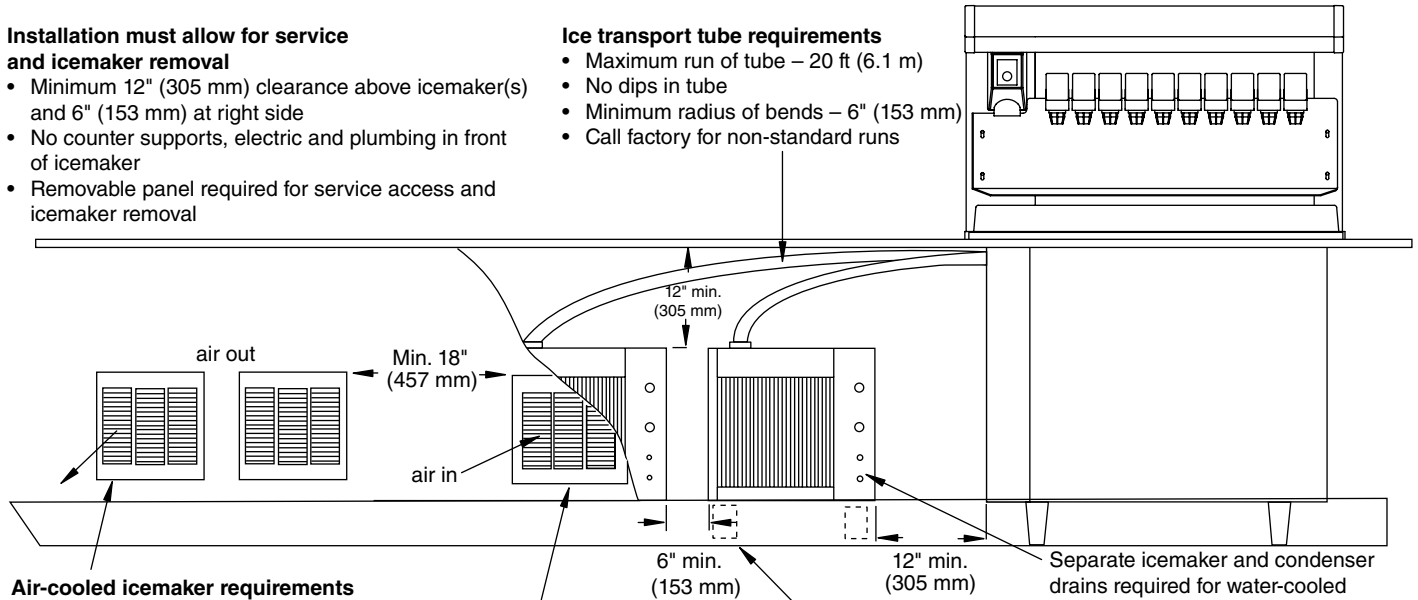
Follett C/VU155 and C/VU300 dispensers can be equipped with auto-fill icemakers. These icemakers provide exceptional layout and design flexibility but require care in site planning to ensure proper performance. Review the notes below to plan the icemaker location to meet all requirements for ventilation, transport tube run, service and icemaker removal. Contact Follett if a requirement cannot be met.

Installation must allow for service and icemaker removal

- Minimum 12" (305 mm) clearance above icemaker(s) and 6" (153 mm) at right side
- No counter supports, electric and plumbing in front of icemaker
- Removable panel required for service access and icemaker removal

Ice transport tube requirements

- Maximum run of tube – 20 ft (6.1 m)
- No dips in tube
- Minimum radius of bends – 6" (153 mm)
- Call factory for non-standard runs



Air-cooled icemaker requirements

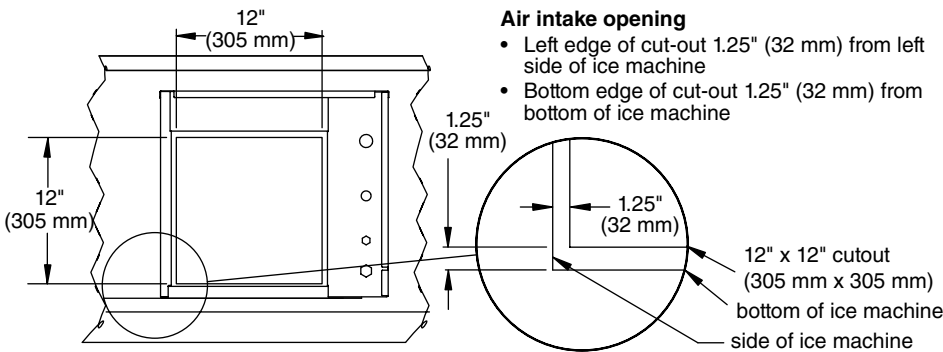
- Each icemaker requires 100 sq. inch (645 sq. cm) counter opening for exhaust air at least 18" (458 mm) from intake
- 12" x 12" (305 mm x 305 mm) counter opening and supplied grille MUST be installed for intake air (call factory for custom grille requirements)
- See drawing below or duct and counter depth requirements

Ice maker support required

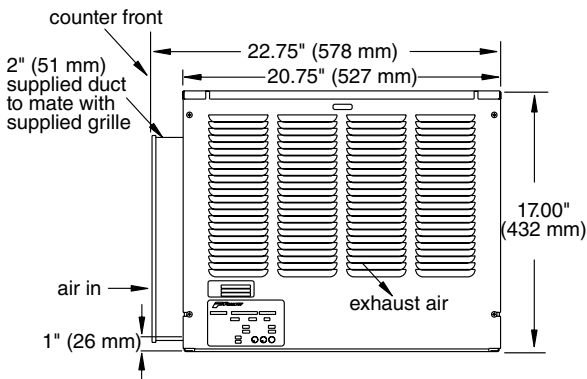
- Machine stand, slider, or channels
- Follett slider accessory recommended

Notes:

Follett C/VU155 and C/VU300 dispensers are pre-configured for Chewblet® ice auto-fill icemakers. Ice transport tube(s) may enter either side. MC_400_VS/VM – max (2) auto-fill icemakers per dispenser.



Side View – Air-cooled Icemarkers

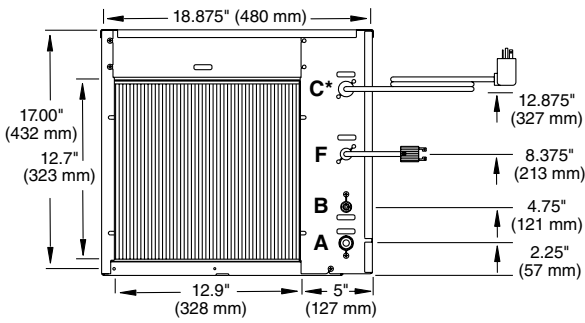


Air-cooled Satellite-fill icemakers installed in a confined space such as under a counter, require the installation of a 2" (51 mm) duct on the front of the icemaker, making the total depth of the icemaker 22.75" (578 mm). The duct mates to the back of the cutout in the counter for air intake. With Follett's slider accessory, the minimum interior counter depth remains 22.75" (578 mm).

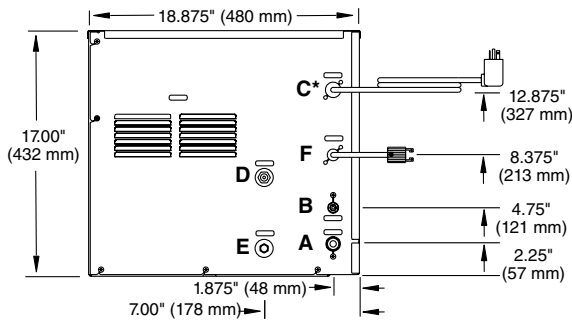
For installation of air-cooled icemakers in counters not meeting that depth requirement, call Follett for other ducting alternatives.

Icemaker connection and operating information

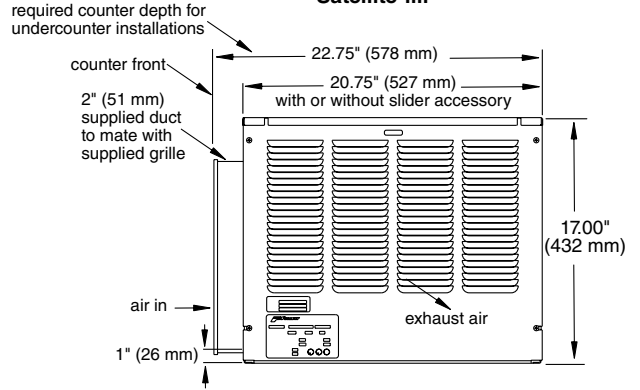
**Front View — air-cooled
Satellite-fill**



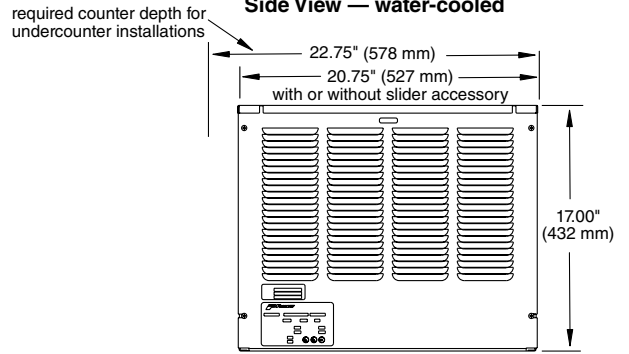
Front View — water-cooled



**Side View — air-cooled
Satellite-fill**



Side View — water-cooled



- A** – 3/4" MPT drain
- B** – 3/8" OD push-in water inlet
- C** – electrical cord (8 ft (2.4 m))*
- D** – 3/8" FPT condenser inlet
- E** – 3/8" FPT condenser drain
- F** – bin signal cord

* VM models have a 2" x 4" (51 mm x 102 mm) electrical box

Plug configuration
NEMA 5-20*
(115V models only)



Water Flow Requirements for Water-Cooled Condensers

Water Temp. F°/C°	70/21
Water Flow:	
Gallons/100 lbs of ice	73
Liters/46 kg of ice	276

Energy Consumption

KWH per 100 lbs (46 kg) ice†	
Air-cooled	5.7
Water-cooled	5.5

† Air temp. 90 F (32 C); water temp. 70 F (21 C)

Heat Rejection Data

Model	Heat rejected in BTU/hr	
	to air	to water
Air-cooled	5000	n/a
Water-cooled	1400	3600

Water consumption

12.6 gal (48 L) of potable water usage per 100 lbs (46 kg) of ice.

Satellite-fill and Vision are trademarks of Follett Corporation
Chewblet is a registered trademark of Follett Corporation, registered in the US.
Follett reserves the right to change specifications at any time without obligation. Certifications may vary depending on country of origin.