

JOB NAME:

QUANTITY:

ITEM NO.:

PRODUCT NAME:

TWIST WASTE VALVE

_____ SPECIAL CONFIGURATION
(CHECK BASE MODEL AND OPTIONS)

MODEL:

24872 WITH FLAT STRAINER
& 14" X 18" OVERFLOW

OPTIONS OR MODIFICATIONS:

OTHER _____

FEATURES:

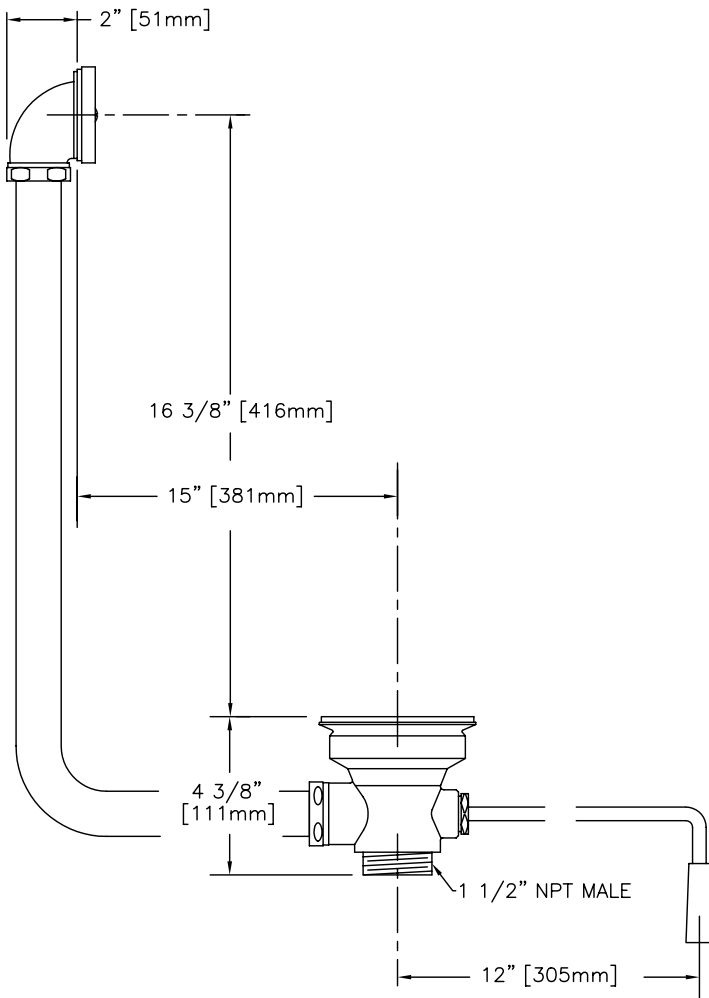
- * 3 1/2" SINK OPENING
- * 1 1/2" DRAIN OPENING
- * CAST BRONZE BODY AND WORKING PARTS
- * CHROME PLATED BODY AND WORKING PARTS
- * FLAT STRAINER
- * CSA CERTIFIED

DRAIN RATE:

* 12 GPM

SHIPPING WEIGHT

* 6.4 LBS



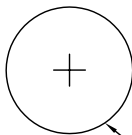
ROUGH-IN:

OVERFLOW:

DRAIN:



ø2"
[51mm]



ø3-1/2"
[89mm]



ANSI/A112.18.1M

Division of Fisher Manufacturing Company
 P.O. Box 60 Tulare, CA 93725-0060 1900 "O" Street Tulare, CA 93274-6850
 Phone 1-800-421-6162 FAX 800-8-FAUCET (800-832-8238)

SPEC: S24872

E.C.O. # 3887

DATE: 05/15/01