

ENCLOSED TRAY DISPENSERS



Item Numbers

- DXIDT1E1418
- DXIDT1E1520
- DXIDT1E1622



Application

This self-leveling cantilever style tray dispensers can be found in tray lines, or any place your needs require.

Construction

The enclosed tray dispensers are made of all-welded stainless steel construction and accept trays on a stainless steel spring-loaded, self-leveling carriage. The carriage features banks of tension springs on two sides. Spring tension for carriage are field adjustable without tools by hooking or unhooking springs to or from the carriage, providing proper dispensing level.

The carriage also features sets of nylon roller guides on all four corners to provide smooth leveling movement inside the unit frame. Side panels are made of 20-gauge stainless steel. Top flange is constructed out of 14-gauge stainless steel and has a perimeter bumper. Units have on four 5" extra-load casters (two with brakes).

Warranty

One year parts and labor.

Returns

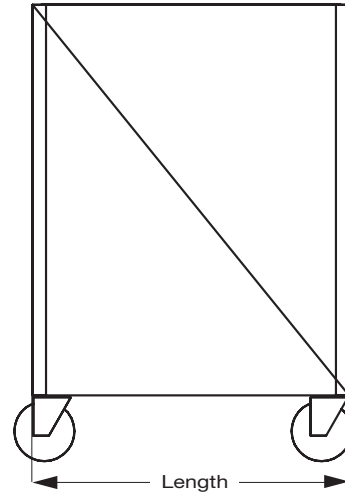
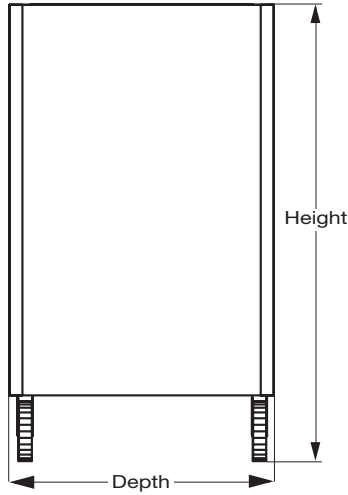
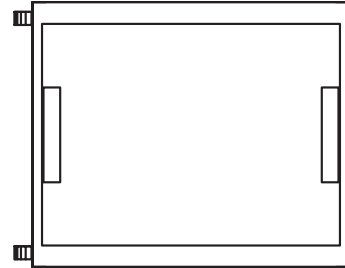
We do not accept returns on any Dinex equipment or Dinex custom products. Please contact your local Dinex rep to ensure order accuracy prior to ordering.

We do not accept returns on any Dinex equipment or Dinex custom products. Please contact your local Dinex rep to ensure order accuracy prior to ordering.

ENCLOSED TRAY DISPENSERS



Top View



Items and Dimensions

ITEM NUMBER	MODEL NUMBER	LENGTH	DEPTH	HEIGHT	CASTERS		MAXIMUM TRAY SIZE	SHIP WEIGHT	SHIP CUBE
					TYPE	DIA			
DXIDT1E1418	IDT1E/1418	23.50" (59.7cm)	19.63" (49.9cm)	36.38" (92.4cm)	4 swivel 2 w/ brakes	5"	14" x 18"	153 lb (69.5kg)	11.1
DXIDT1E1520	IDT1E/1520	23.50" (59.7cm)	19.63" (49.9cm)	36.38" (92.4cm)	4 swivel 2 w/ brakes	5"	15" x 20"	153 lb (69.5kg)	11.1
DXIDT1E1622	IDT1E/1622	26.00" (66.0cm)	21.13" (53.7cm)	36.38" (92.4cm)	4 swivel 2 w/ brakes	5"	16" x 22"	153 lb (69.5kg)	11.1

Please confirm that you have the most current specification sheet by visiting www.dinex.com.
Dinex® reserves the right to change specifications and product design without notice.
Such revisions do not entitle the buyer to corresponding changes, improvements, additions or replacements for previously purchased equipment.



4711 E Hefner Road
Oklahoma City, OK 73131
800.654.8210 • 405.475.5600
www.dinex.com