



Your Solutions Partner

Specifications

F.O.B. Sedalia, Missouri 65301

Approval Stamp(s):

PRODUCT INFORMATION:

PROJECT: _____

ITEM: _____

QUANTITY: _____

MODEL:

AeroServ Serving Systems Tray Stands

- 307-25 Stationary, casters optional
- 96 Portable

TOP OF 307-25:

- 20 gauge, 300 Series stainless steel
- Edges flanged down 2" at 90°

BODY:

- Paint grip or stainless steel
- Choice of (12) powder coat paint colors
- Integrally flanged or channeled edges
- Individually welded body with local reinforcements
- Mounted on stainless steel legs with adjustable feet

PORTABLE UNIT - 96:

- 14 gauge stainless steel shelves
- Top shelf 12" x 28-5/8" - back/sides flanged up
- Undershelf 19" x 30" - back flanged up
- Frame formed of 1" diameter stainless tubing
- 4" diameter, swivel casters, two with brakes

AGENCY LISTINGS:



307-25



96

OPTIONS:

- Round bumpers
- 30" height - Portable Unit
- 5" casters, 2 swivel w/locks for 307-25 only
- Veneered plastic laminate panels on body (307-25 only)
- Special powder coat painted body - on 307-25PG body

DUKE MANUFACTURING CO.

2305 N. Broadway
St. Louis, MO 63102
800.735.3853 Toll Free
314.231.5074 Fax
www.dukemfg.com

SS-1124 AeroServ Tray Tables

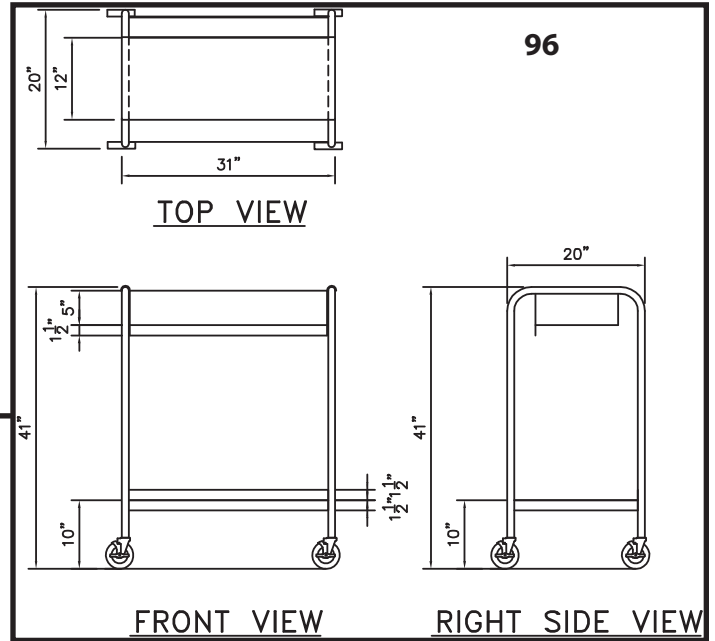
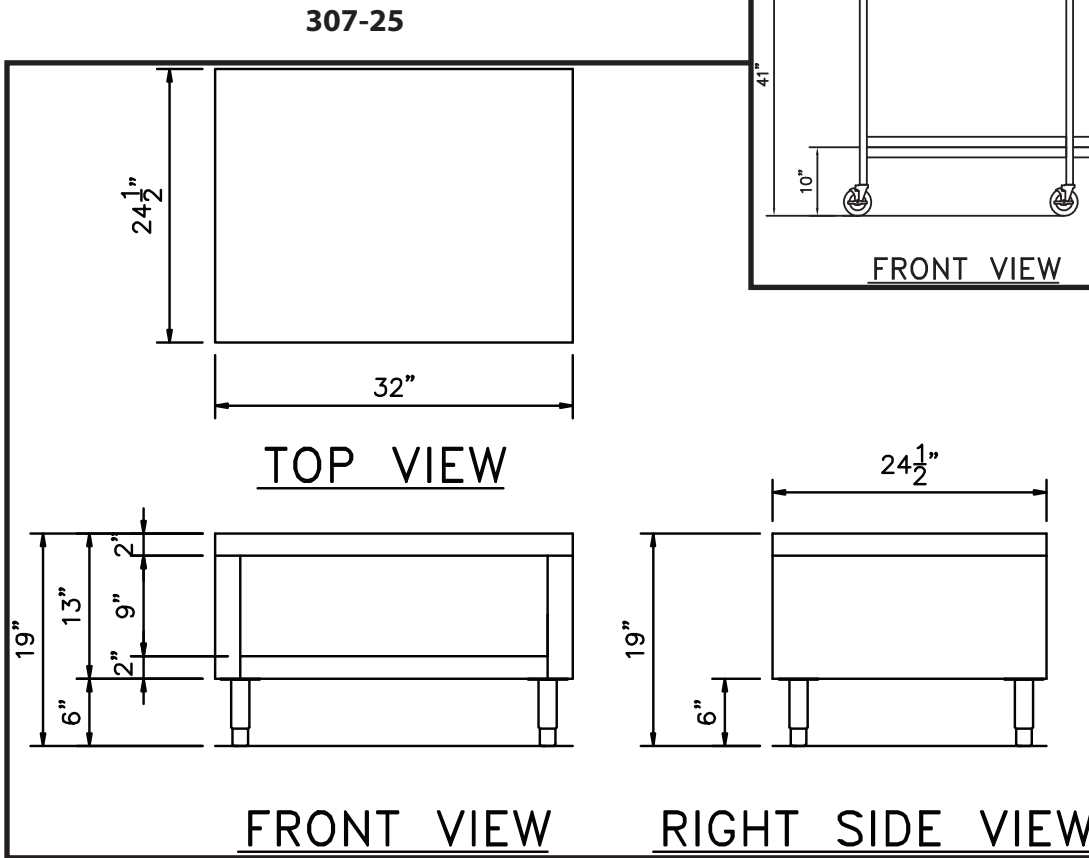
Specification subject to change



REV B 10/22/2019

AeroServ

TRAY STANDS



Freight Class: 110 - Model 96;
150 - Model 307-25

DIMENSIONS:

Model	Length		Width		Height		Cube ft. crated	Weight	
	in	cm	in	cm	in	cm		lbs	kg
307-25	32	81.3	24-1/2	62.2	19	48.3	17.5	135	61.4
96-Portable	31	78.7	20	50.8	41	104.1	25.2	55	25.0



Duke Manufacturing Co.
2305 N. Broadway
St. Louis, MO 63102

Phone: 314-231-1130
Toll Free: 1-800-735-3853
Fax: 314-231-5074

www.dukemfg.com