

Howard - McCray

REAR LOADING 35E SERIES OPEN MERCHANDISERS 78.5"H - ENDLESS DESIGN - MULTI-PURPOSE

NEW PRODUCT



MODEL NO.	DESCRIPTION	LENGTH	DEPTH W/DOOR	HEIGHT	VOLTAGE	AMPS	HP/BTUS	POWER CORD	EST. SHIP WEIGHT
SC-OD35E-3-B-SW	Self Contained	39.00"	37.00"	78.50"	115	12.0	1/2	5-15P	700
SC-OD35E-4-B-SW	Self Contained	51.00"	37.00"	78.50"	115/208-230	13.7	3/4	L14-20P	965
SC-OD35E-4-B-SL	Self Contained	51.00"	34.50"	78.50"	115/208-230	13.7	3/4	L14-20P	965
SC-OD35E-5-B-SL	Self Contained	63.00"	34.50"	78.50"	115/208-230	13.1	1	L14-20P	1175
SC-OD35E-6-B-SL	Self Contained	75.00"	34.50"	78.50"	115/208-230	13.1	1	L14-20P	1175
R-OD35E-3-B-SW	Remote	39.00"	37.00"	78.50"	115	1.4	4906	NO	575
R-OD35E-4-B-SW	Remote	51.00"	37.00"	78.50"	115	2.2	6542	NO	790
R-OD35E-4-B-SL	Remote	51.00"	34.50"	78.50"	115	2.2	6542	NO	790
R-OD35E-5-B-SL	Remote	63.00"	34.50"	78.50"	115	2.8	8178	NO	895
R-OD35E-6-B-SL	Remote	75.00"	34.50"	78.50"	115	2.8	9813	NO	895

MODEL NUMBER PREFIX - SC = Self Contained R = Remote
 MODEL NUMBER SUFFIX - B = Black S = Stainless Steel
 • Cases are designed to operate at 75 degrees Fahrenheit and 55% relative humidity
 • Cases are equipped with drains; check your local building codes for connection requirements.
 • Specification subject to change without notice



REAR LOADING 35E SERIES OPEN MERCHANDISERS 78.5"H - ENDLESS DESIGN - MULTI-PURPOSE

STANDARD SPECIFICATIONS AND OPTIONAL FEATURES

CONSTRUCTION

- UL Classified to ANSI/NSF 7
- Foamed in place CFC free foam
- Heavy gauge steel super structure
- Multi deck
- Endless design

INTERIOR

- Black end panels
- Removable Black floor pans
- Perforated rear wall for even air distribution
- Full length lighting at top of unit
- 4 levels of lit shelving with product stop
- 5 levels of product display
- Stylish tag molding on each shelf
- Mirrored doors client view on slider models

EXTERIOR

- Black ends and front and back
- Black rear doors (hinged units)
- Removeable front grill allows for cleaning and servicing
- 1" bumper
- Choice of end panels

FINISHES

- Black front rail
- Black end trim
- Black end panels
- Black rear panels
- Laminate, and custom paints available

LIGHTING

- 1 row LED at inside top of unit
- 4 rows of LED lighted shelving

ELECTRICAL REQUIREMENTS

- Unit comes with cord and plug
- UL/CUL listed
- See Tech page for details on voltage

REFRIGERATION

- Low velocity fans located below deck area (to insure even flow of air)
- Electronic Control System with automatic air defrost to maintain balanced temperatures
- New high efficiency air screen technology
- Self contained system
- Hermetic unit
- Remotes available

OPTIONAL FEATURES

- Night covers
- Colored bumper
- Stainless steel, laminated or paint
- Digital thermometer
- Casters or legs
- Evaporator Pan
- Left hand hinged door

IMPORTANT NOTE:

ALL REFRIGERATED CASES ARE DESIGNED TO OPERATE IN AN ENVIRONMENT OF 75 DEGREES AND 55% RELATIVE HUMIDITY.

PRODUCT MUST BE COOLED BEFORE BEING DISPLAYED WITHIN THE CASE.

DRAIN IS REQUIRED

REAR LOADING 35E SERIES OPEN MERCHANDISERS 78.5"H - ENDLESS DESIGN - MULTI-PURPOSE

TECHNICAL DATA

MODEL NO.	SC R	SC-OD35E-3-B-SW R-OD35E-3-B-SW	SC-OD35E-4-B-SW R-OD35E-4-B-SW	SC-OD35E-4-B-SL R-OD35E-4-B-SL	SC-OD35E-5-B-SL R-OD35E-5-B-SL	SC-OD35E-6-B-SL R-OD35E-6-B-SL
Length with (2) ends		39.00"	51.00"	63.00"	75.00"	75.00"
Length without ends		36.00"	48.00"	48.00"	60.00"	72.00"
Height with ends		78.50"	78.50"	78.50"	78.50"	78.50"
Height without ends		78.00"	78.00"	78.00"	78.00"	78.00"
Depth with ends (Swing Door Open)		36.50" 64.75"	36.50" 76.75"	34.50"	34.50"	34.50"
Depth without ends (Swing Door Open)		34.25" 64.25"	34.25" 76.25"	34.25"	34.25"	34.25"
Endless design		YES	YES	YES	YES	YES
(Dimensions are +/- 1/4")						
Operating temperature		36°F to 40°F	36°F to 40°F	36°F to 40°F	36°F to 40°F	36°F to 40°F
Compressor size HP	SC	1/2	3/4	3/4	1	1
Defrost per day (24 hrs)	Air Defrost	6 per day	6 per day	6 per day	6 per day	6 per day
BTU's at +20°F Evap Temp	R	4906	6542	6542	8178	9813
Voltage	SC	115	115/208-230	115/208-230	115/208-230	115/208-230
Amperage	SC	16	13	13	16	16
Remote Voltage	R	115	115	115	115	115
Amperage, lights & fans only	R	2.0	3.0	3.0	4.0	4.0
Cord and plug	SC	5-15P	L14-20P	L14-20P	L14-20P	L14-20P
	R	NO	NO	NO	NO	NO
Exterior color		Black	Black	Black	Black	Black
Interior color		Black	Black	Black	Black	Black
# of rows / shelves		4/4	4/4	4/4	4/4	4/8
Shelf size depth		(4) 18.0"	(4) 18.0"	(4) 18.0"	(4) 18.0"	(8) 18.0"
Shipping Info						
Height		86.00"	86.00"	86.00"	86.00"	86.00"
Depth		44.00"	44.00"	44.00"	44.00"	44.00"
Length		61.00"	61.00"	61.00"	86.00"	86.00"
Gross weight SC/R		700/575	965/790	965/790	1175/895	1175/895
Cubic feet		130	130	130	184	184

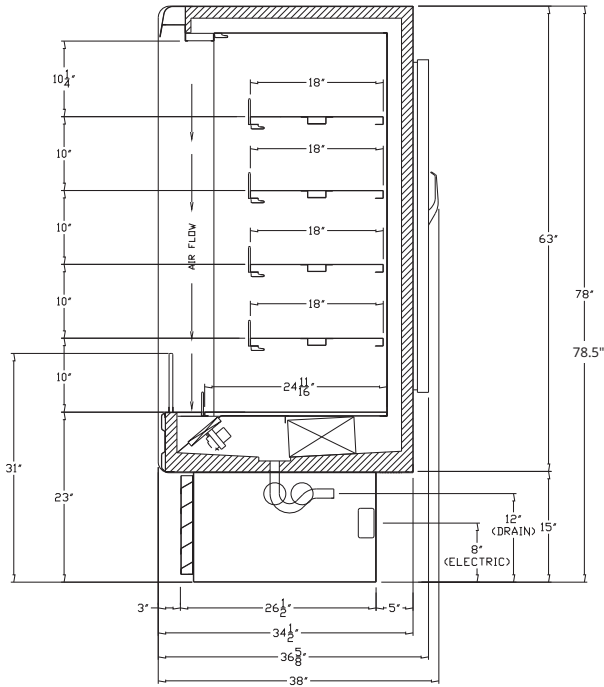
Prefix	Suffix
SC = Self Contained	B = Black
R = Remote	S = Stainless Steel

- Cases are designed to operate at 75 degrees Fahrenheit and 55% relative humidity
- Cases are equipped with drains; check your local building codes for connection requirements.
- Specification subject to change without notice

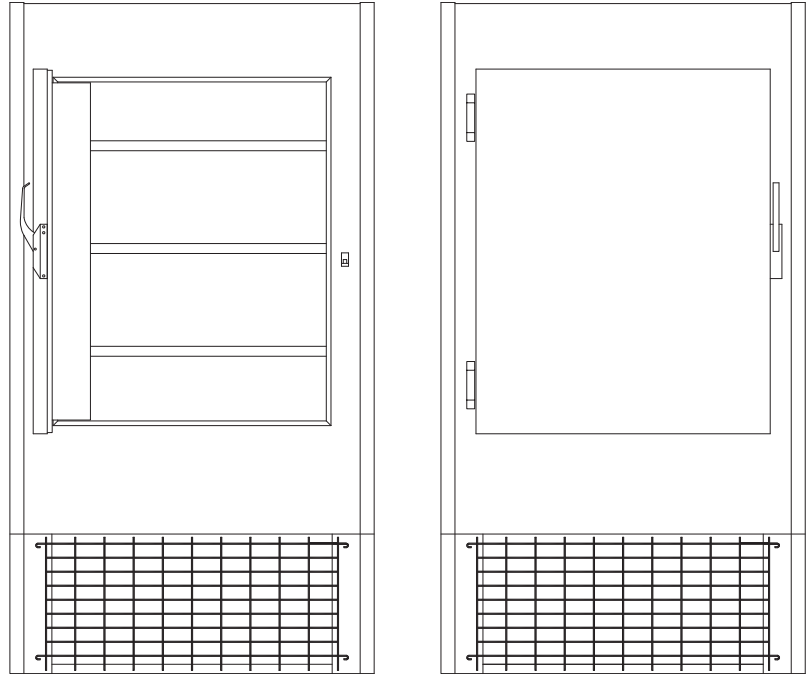
REAR LOADING 35E SERIES OPEN MERCHANDISERS
78.5"H - ENDLESS DESIGN - MULTI-PURPOSE

DRAWINGS • SIDE VIEW • PLAN VIEW

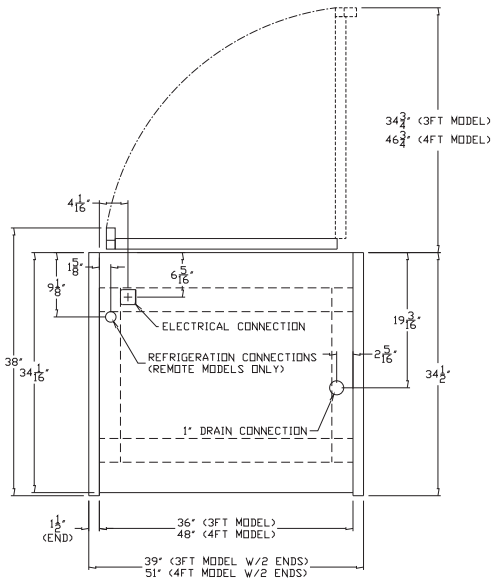
SIDE VIEW



REAR VIEW (OPEN & CLOSED)



PLAN VIEW (3' & 4')



PLAN VIEW (5' & 6')

