

"PBHS-1410-KVMB" PRO-BOWL HAND SINKS

Hands Free w/Single or Double Knee Valves

FEATURES:

- One Piece Deep Drawn Bowl
- All Sink Bowls Have Large Liberal Radii Corners
- Includes Basket Drain
- Splash Mount - Once Faucet Hole On Center
- 1-1/2" Drain Plumbing Connection
- Includes Gooseneck Spout And Single Or Double Pedal Knee Valve

SPECIFICATIONS:

- Bowl: Stainless Steel Tops Are TIG Welded, Exposed Welds Are Polished To Match Adjacent Surface
- Bowl: Type 300 Stainless Steel Polished, Satin Finish
- Bracket: Type 300 Stainless Steel Polished, Satin Finish

CERTIFICATIONS:



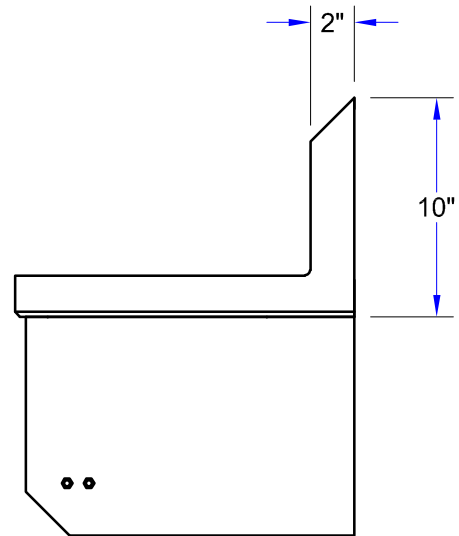
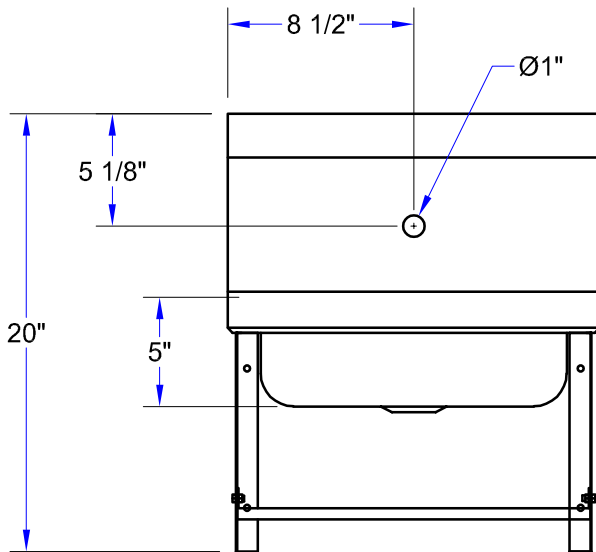
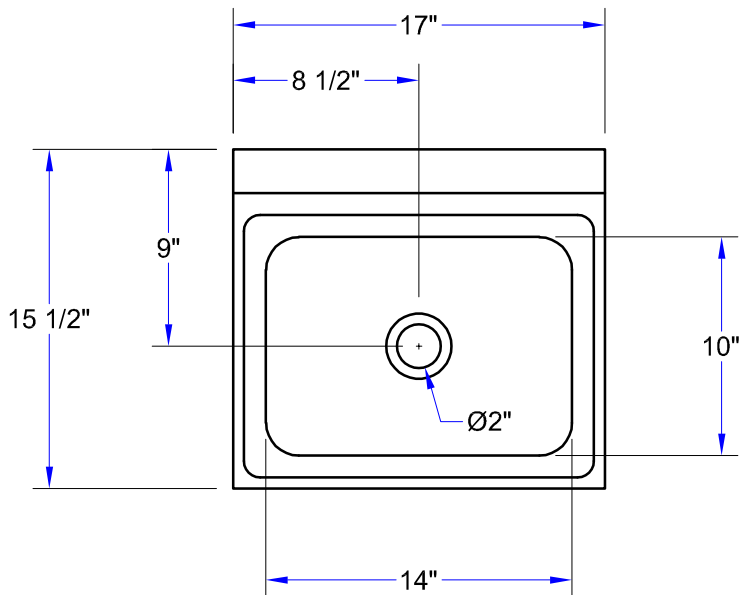
PBHS-W-1410-KV1MB

"PBHS-1410-KVMB" PRO-BOWL HAND SINKS

MODEL	KNEE VALVES	BOWL SIZE (L X W X H)	OVERALL SINK SIZE (L X W X H)	WEIGHT (LBS)
PBHS-W-1410-KV1MB	Single	14"x10"x5"	17"x15-1/2"x20"	25
PBHS-W-1410-KV2MB	Double	14"x10"x5"	17"x15-1/2"x20"	25

ALL DIMENSIONS ARE TYPICAL. TOLERANCE +/- .500". JOHN BOOS & CO. RESERVES THE RIGHT TO CHANGE SPECIFICATIONS WITHOUT NOTICE.

DETAILED SPECIFICATIONS



"PBHS-1410-KVMB" PRO-BOWL HAND SINKS

MODEL	KNEE VALVES	BOWL SIZE (L X W X H)	OVERALL SINK SIZE (L X W X H)	WEIGHT (LBS)
PBHS-W-1410-KV1MB	Single	14"x10"x5"	17"x15-1/2"x20"	25
PBHS-W-1410-KV2MB	Double	14"x10"x5"	17"x15-1/2"x20"	25

ALL DIMENSIONS ARE TYPICAL. TOLERANCE +/- .500". JOHN BOOS & CO. RESERVES THE RIGHT TO CHANGE SPECIFICATIONS WITHOUT NOTICE.