



*The Signature of Quality*

### FEDERAL INDUSTRIES

A Standex Company  
215 Federal Avenue  
Belleville, WI 53508-9201

Phone: 800-356-4206  
Fax: 608-424-3234  
Email: geninfo@federalind.com  
Website: www.federalind.com

Project Name: \_\_\_\_\_

Item #: \_\_\_\_\_

Model #: \_\_\_\_\_ Qty: \_\_\_\_\_

Approval: \_\_\_\_\_

AIA#

SIS#

## COUNTER TOP SIGNATURE SERIES HOT SELF-SERVE MERCHANDISER

The Signature Series counter top self-serve merchandiser combines attractive curved glass styling and merchandising flexibility. Designed for continuous case line-ups. Cases are available in lengths of 2', 3', and 4'.



| MODEL                             | LENGTH<br>( Includes End Panels )              |
|-----------------------------------|--|
| <input type="checkbox"/> CH2428SS | 24 x 29.7 x 25.1 (in)<br>610 x 754 x 637 (mm)  |
| <input type="checkbox"/> CH3628SS | 35 x 29.7 x 25.1 (in)<br>889 x 754 x 637 (mm)  |
| <input type="checkbox"/> CH4828SS | 47 x 29.7 x 25.1 (in)<br>1194 x 754 x 637 (mm) |

### STANDARD FEATURES

#### Model Features

- Curved glass styling.
- Three hinged lift-up front doors allow for customer access.
- Tempered glass ends.
- Removable sliding rear doors, shelf lights, shelf supports, and shelves.
- Cord and plug (NEMA 5-15P).

#### Shelving

- Adjustable black wire shelves. Shelves are adjustable up and down and can also be tilted in two positions. Two tiers.

#### Lighting

- Incandescent top light and shelf lights.

#### Agency Approvals

- UL Safety and UL Sanitation Listed.

### OPTIONAL ACCESSORIES

- Reflective Ends
- Reflective Rear Doors
- Pedestal With Wrapping Board  
(To Match Refrigerated Bar Mount Unit)
- Insulated End Panel - For Case Line-Ups



**WARRANTY\***  
One year Parts and Labor  
2nd thru 5th year part  
only service compressor  
(U.S.A and Canada)

Note: Information is subject to change at any time.  
Visit [www.federalind.com](http://www.federalind.com) for the most current specs.

Revised 04/01/2019

AIA#

# COUNTER TOP SIGNATURE SERIES HOT SELF-SERVE MERCHANDISER

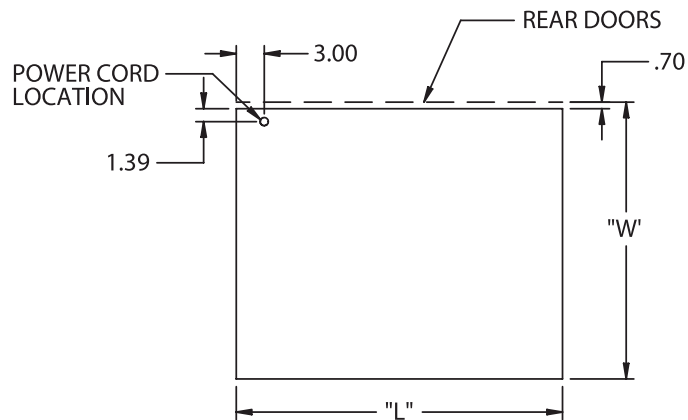
SIS#

## Product Specifications

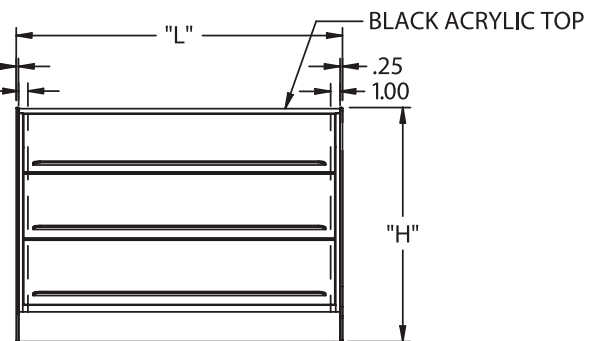
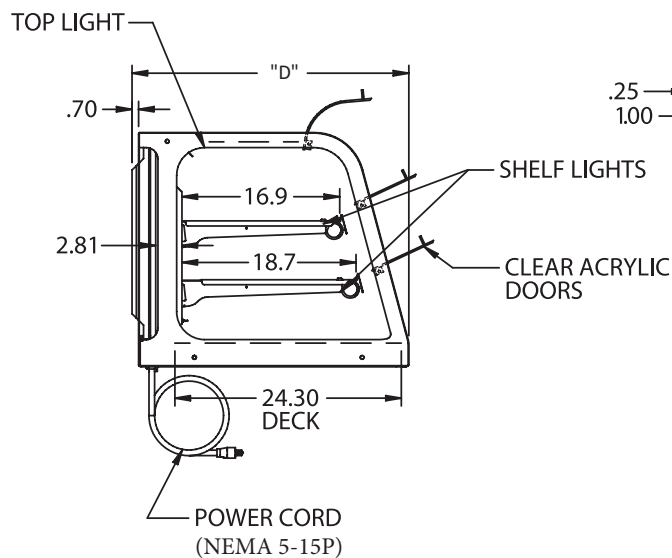
DIMENSION: xx"/(mm)

DIMENSION TOLERANCE +/- 0.19 (4.8)

PLAN VIEW



SIDE VIEW



FRONT VIEW

| MODEL    | DIMENSIONS* |      |      |       | SHIPPING WHT |      | ELECTRICAL<br>120/60/1 |
|----------|-------------|------|------|-------|--------------|------|------------------------|
|          | L           | D    | H    | UNITS | LBS          | KILO |                        |
| CH2428SS | 24          | 29.7 | 25.1 | in.   | 290          | 132  | 7.2 AMPS               |
|          | 607         | 754  | 637  | mm.   |              |      |                        |
| CH3628SS | 35          | 29.7 | 25.1 | in.   | 333          | 151  | 10 AMPS                |
|          | 889         | 754  | 637  | mm.   |              |      |                        |
| CH4828SS | 47          | 29.7 | 25.1 | in.   | 375          | 170  | 12.5 AMPS              |
|          | 1194        | 754  | 637  | mm.   |              |      |                        |

- Due to continuing engineering improvements, specifications are subject to change without notice.



*The Signature of Quality*

### FEDERAL INDUSTRIES

A Standex Company

215 Federal Avenue, Belleville, WI 53508-9201

PHONE: 800-356-4206

E-MAIL: [geninfo@federalind.com](mailto:geninfo@federalind.com)

FAX: 608-424-3234

WEBSITE: [www.federalind.com](http://www.federalind.com)

