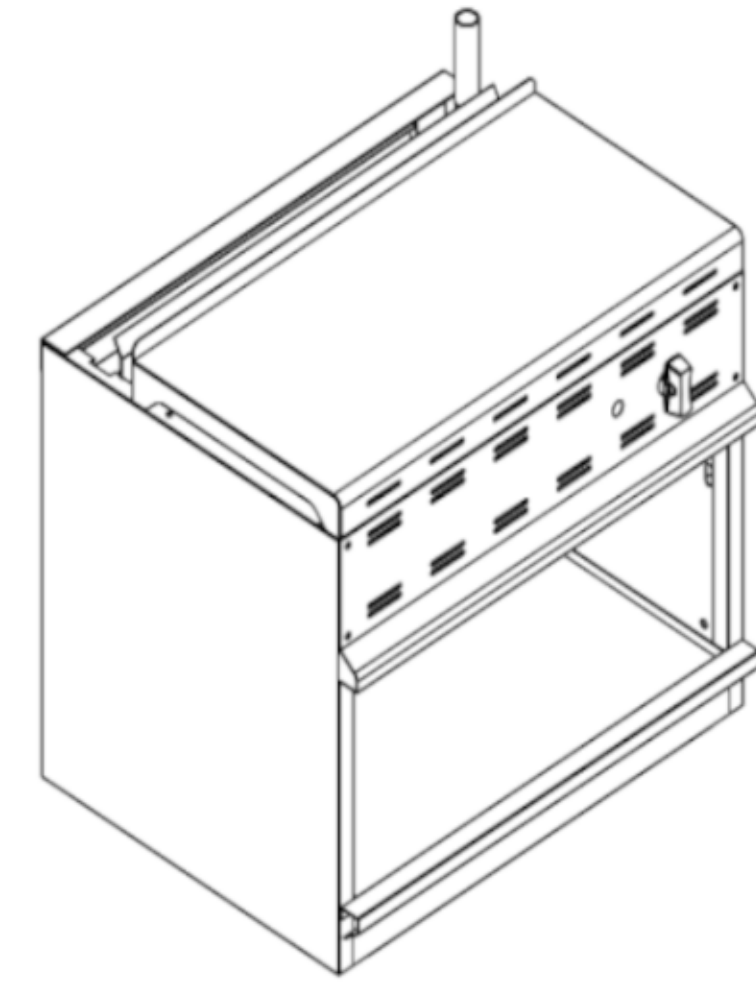
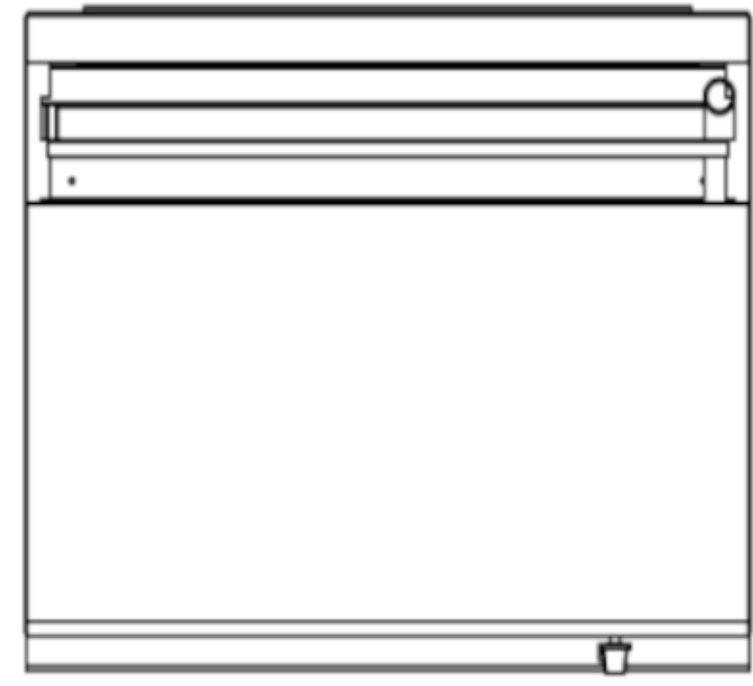
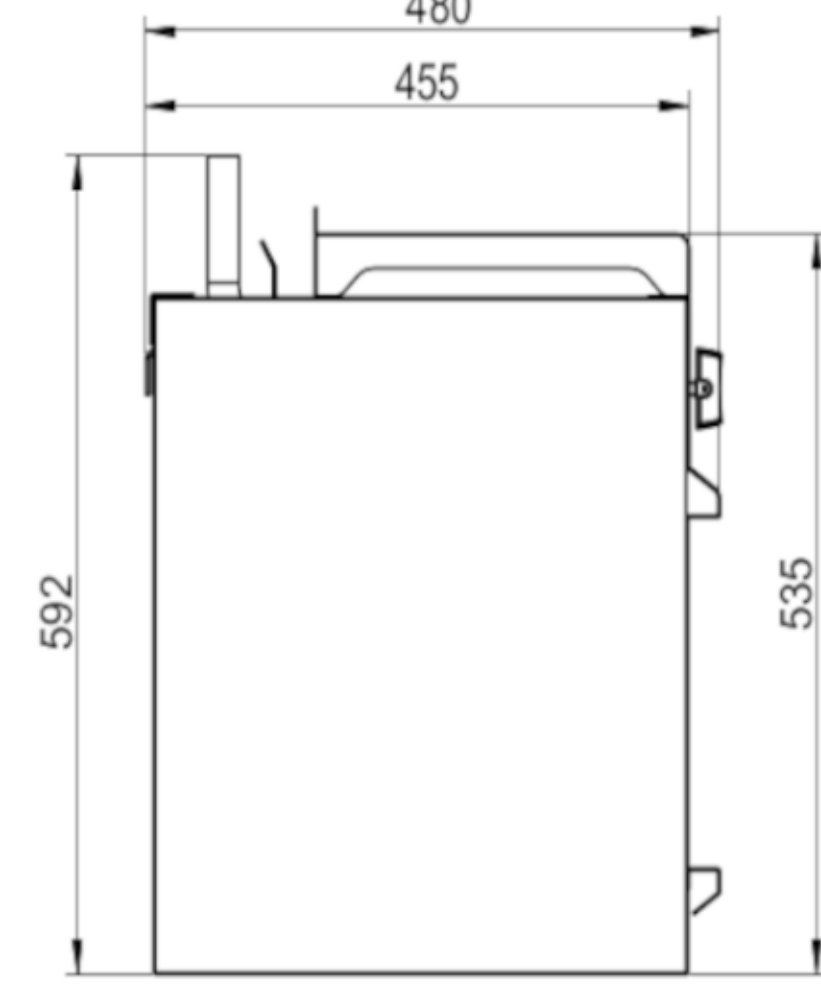
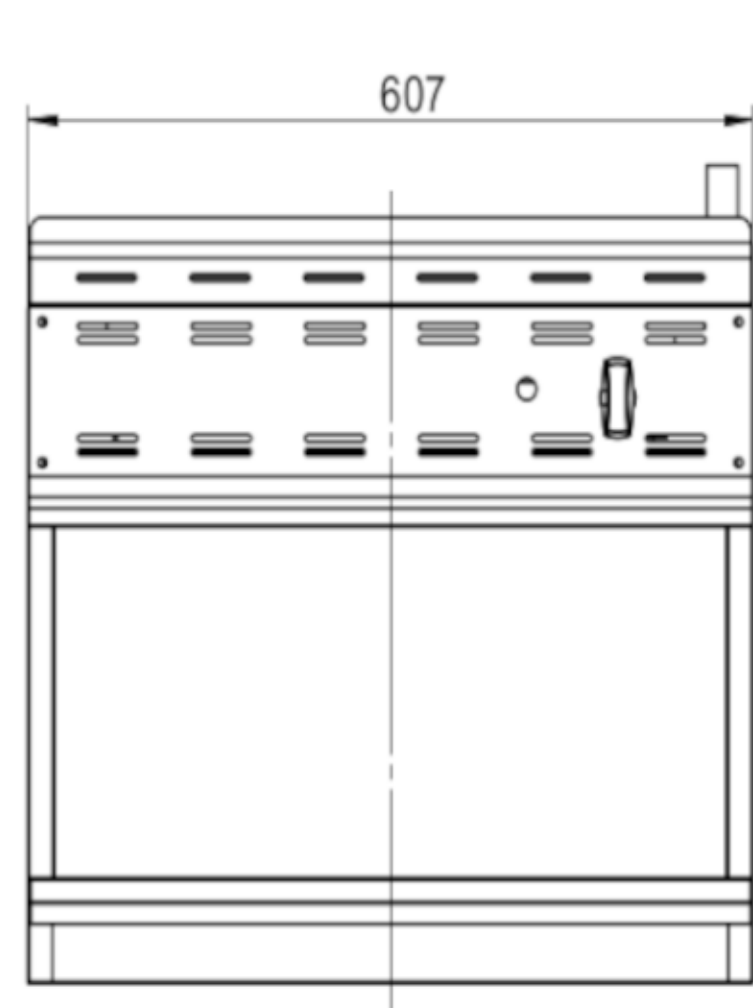




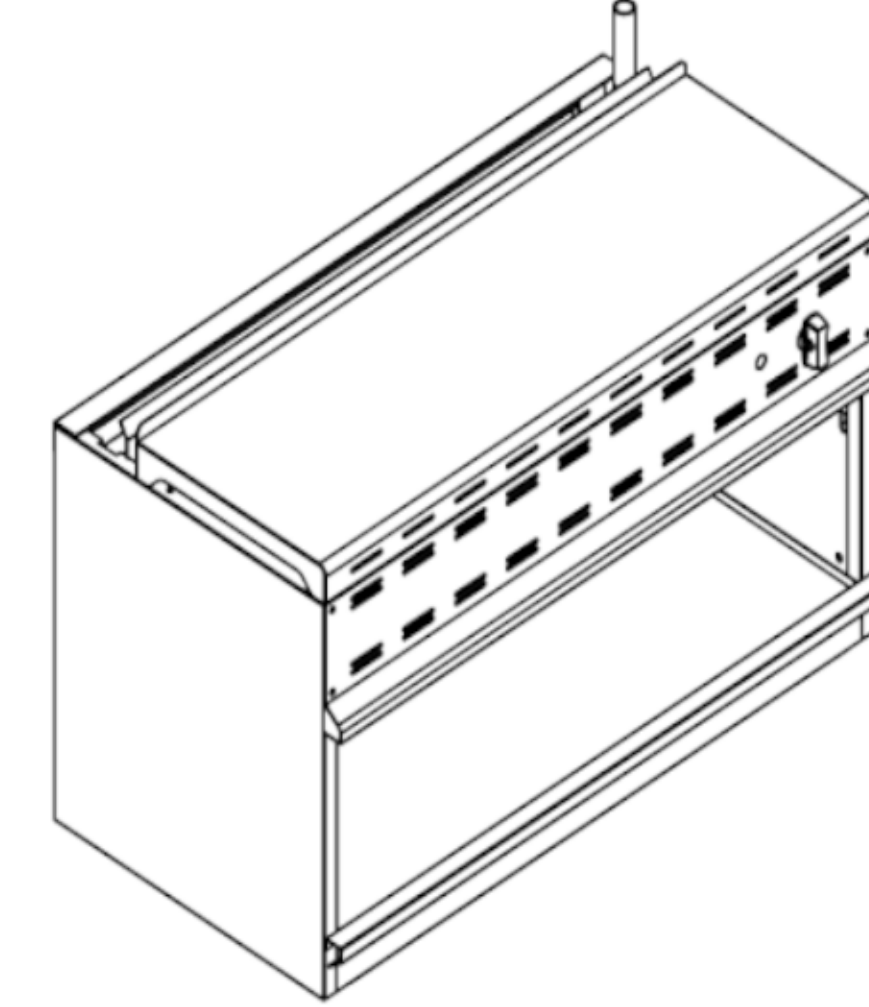
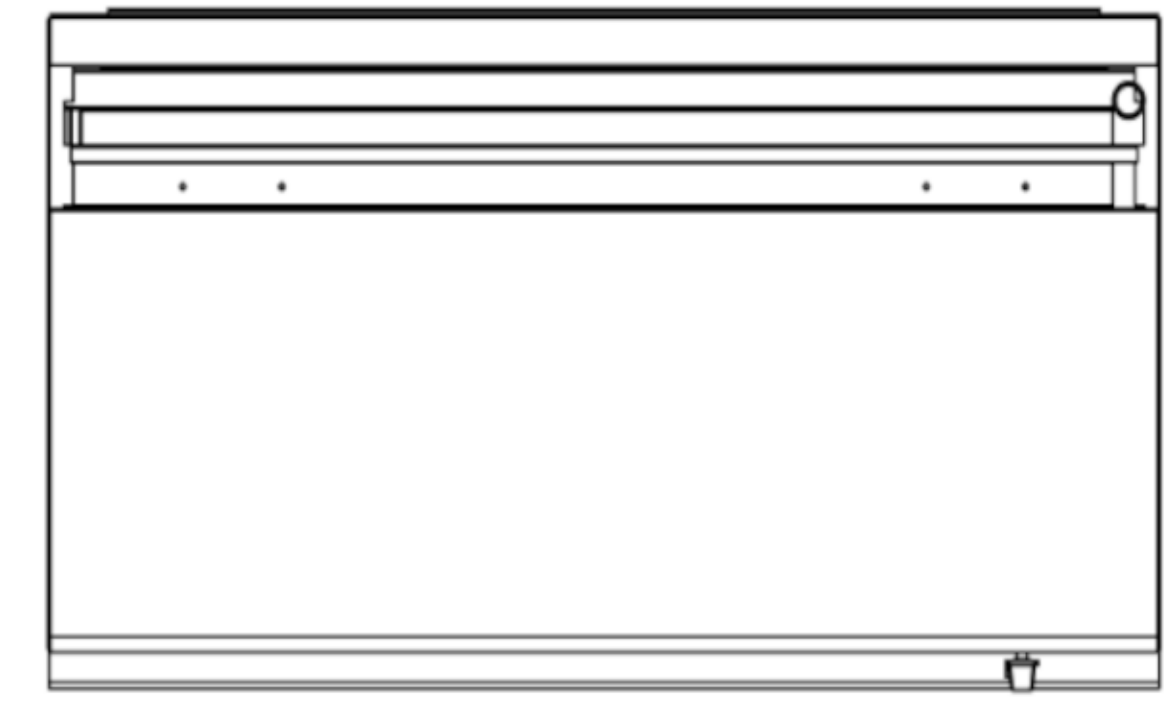
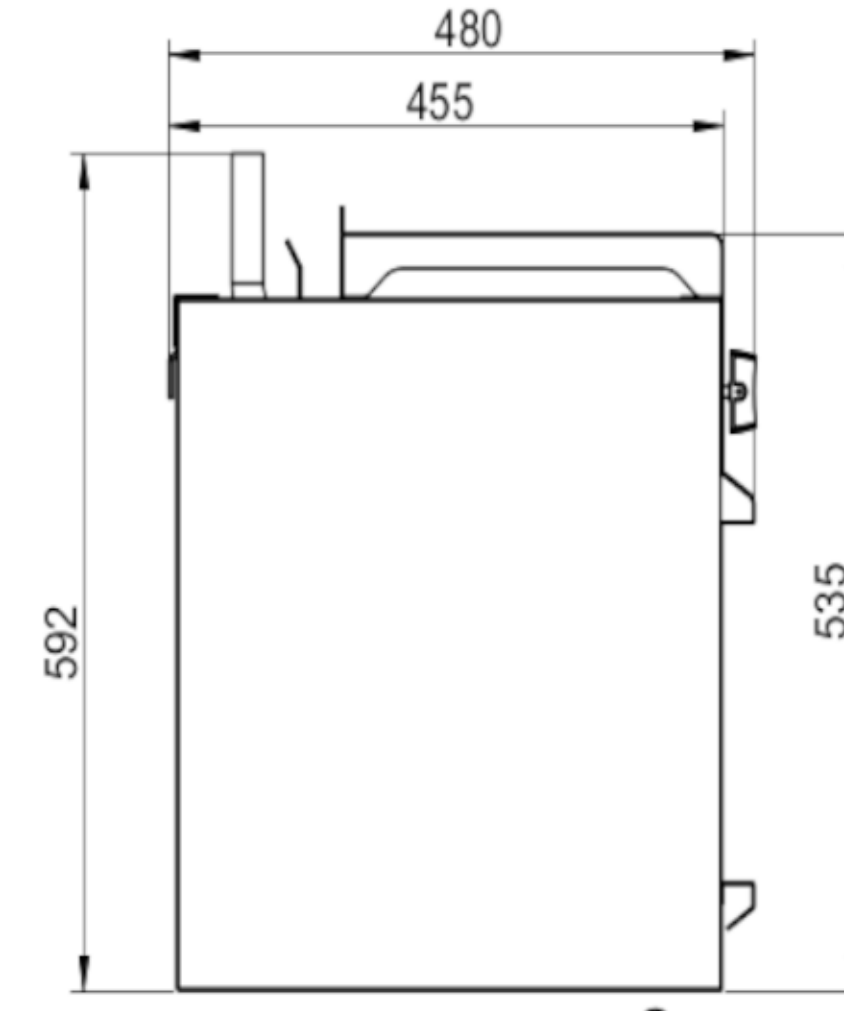
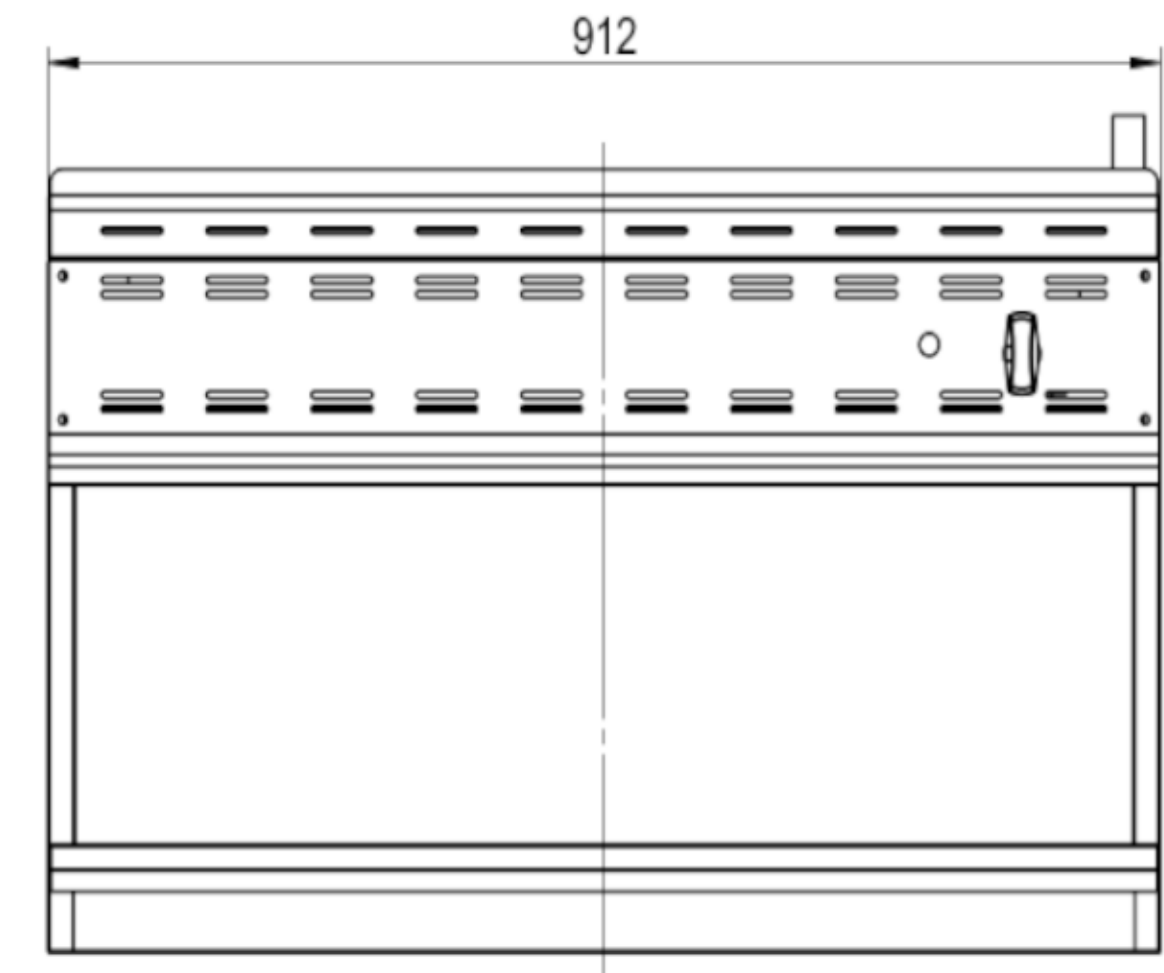

Gas cheesemelter

- Gas infrared burner for better and even heat distribution
- Extra large infrared burner to cover large cooking area
- Instant heating up, no need to pre-heat
- Standby pilot for easy start
- Three rack positions
- Chrome coating wiring grid
- Zinc alloy knob with chrome coating
- Oil collector at the bottom
- Easy conversion from natural gas to Propane or vice versa
- Stainless steel in the front and sides
- Available in 24", 36", 48", 60" and 72" width
- Manual control

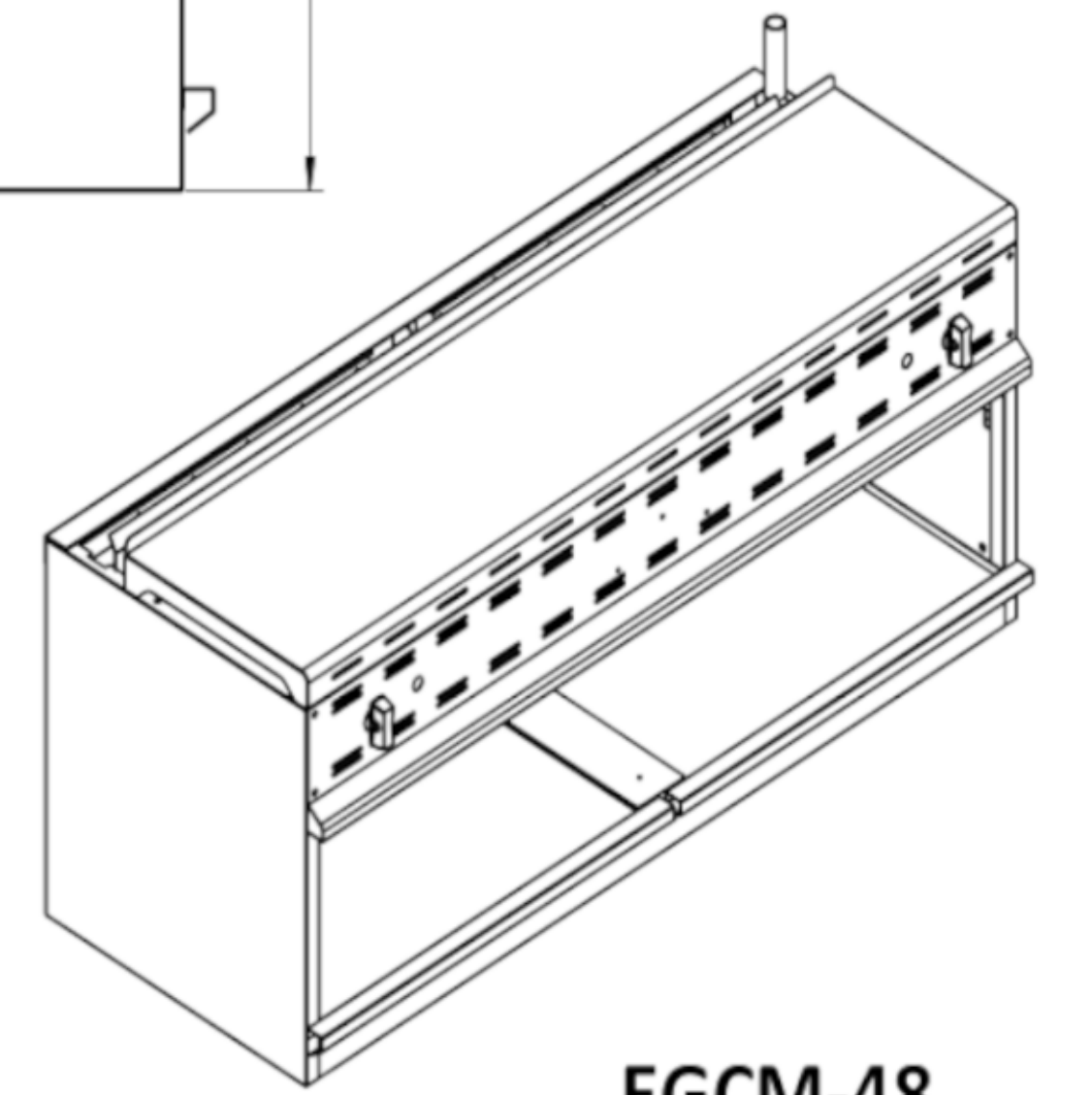
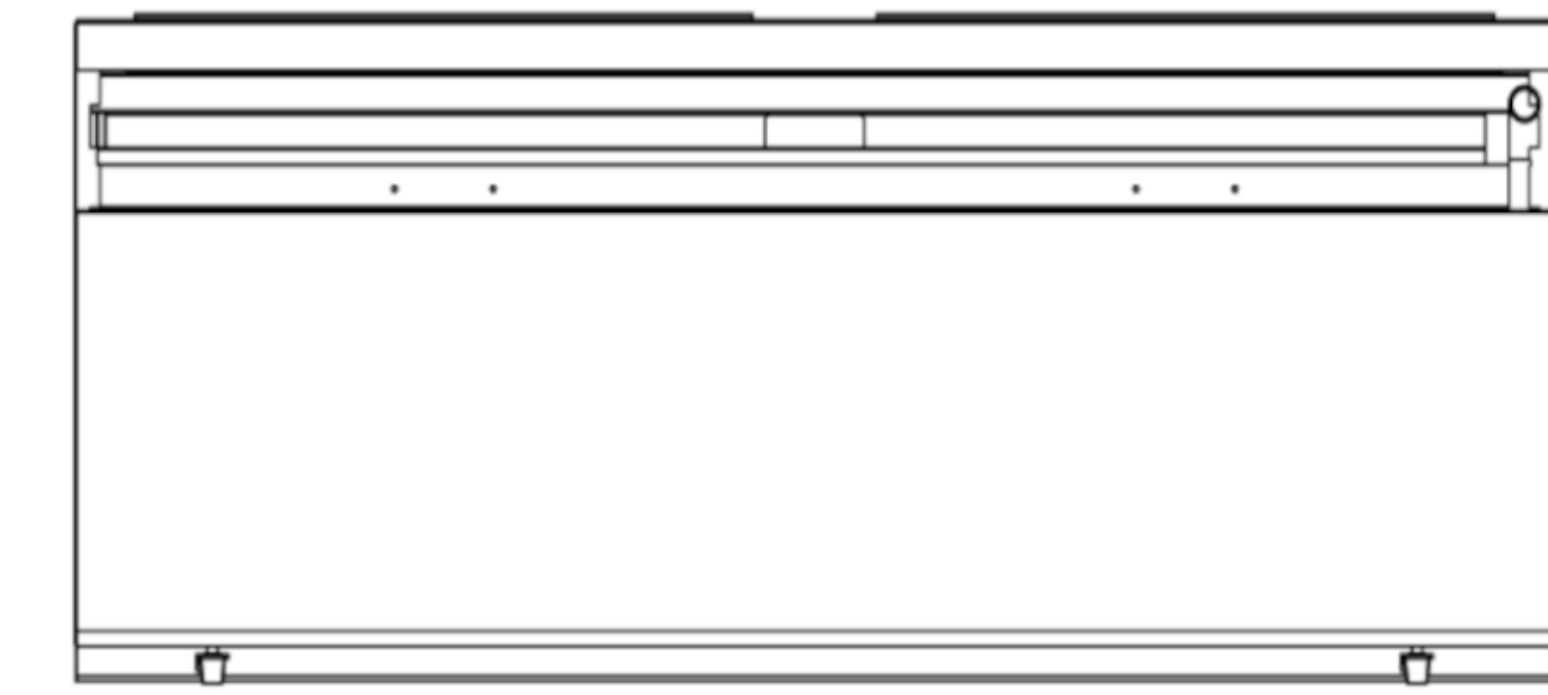
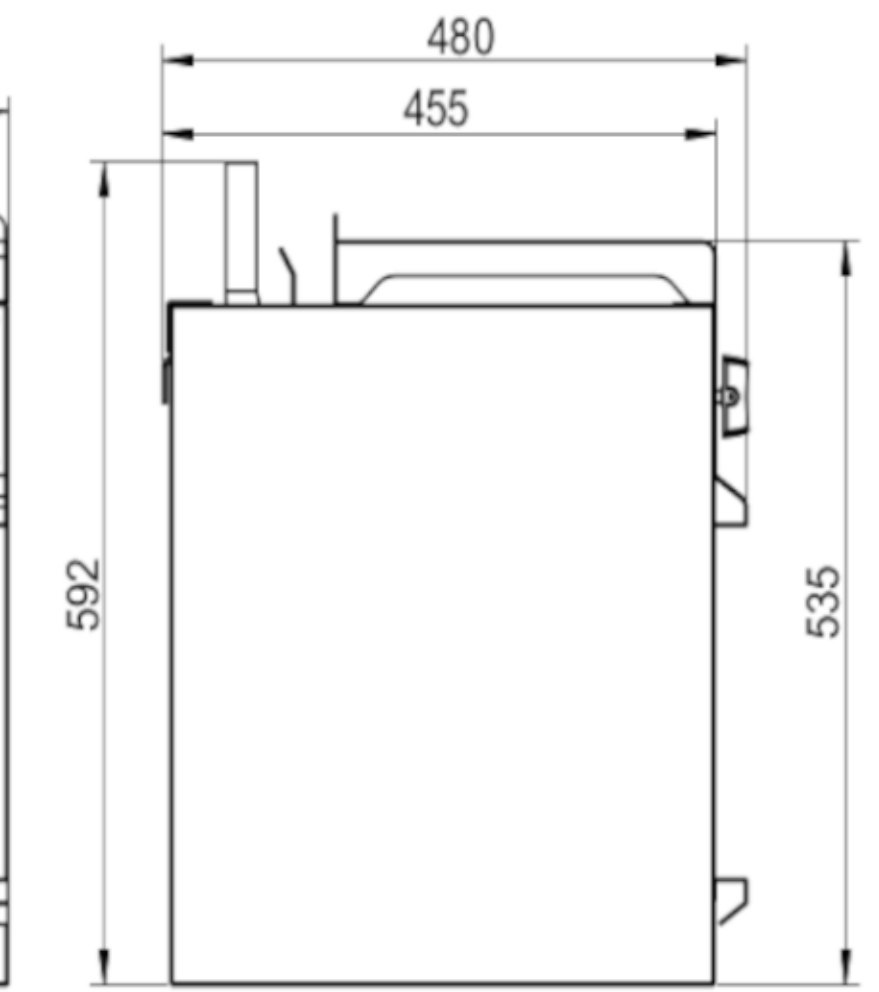
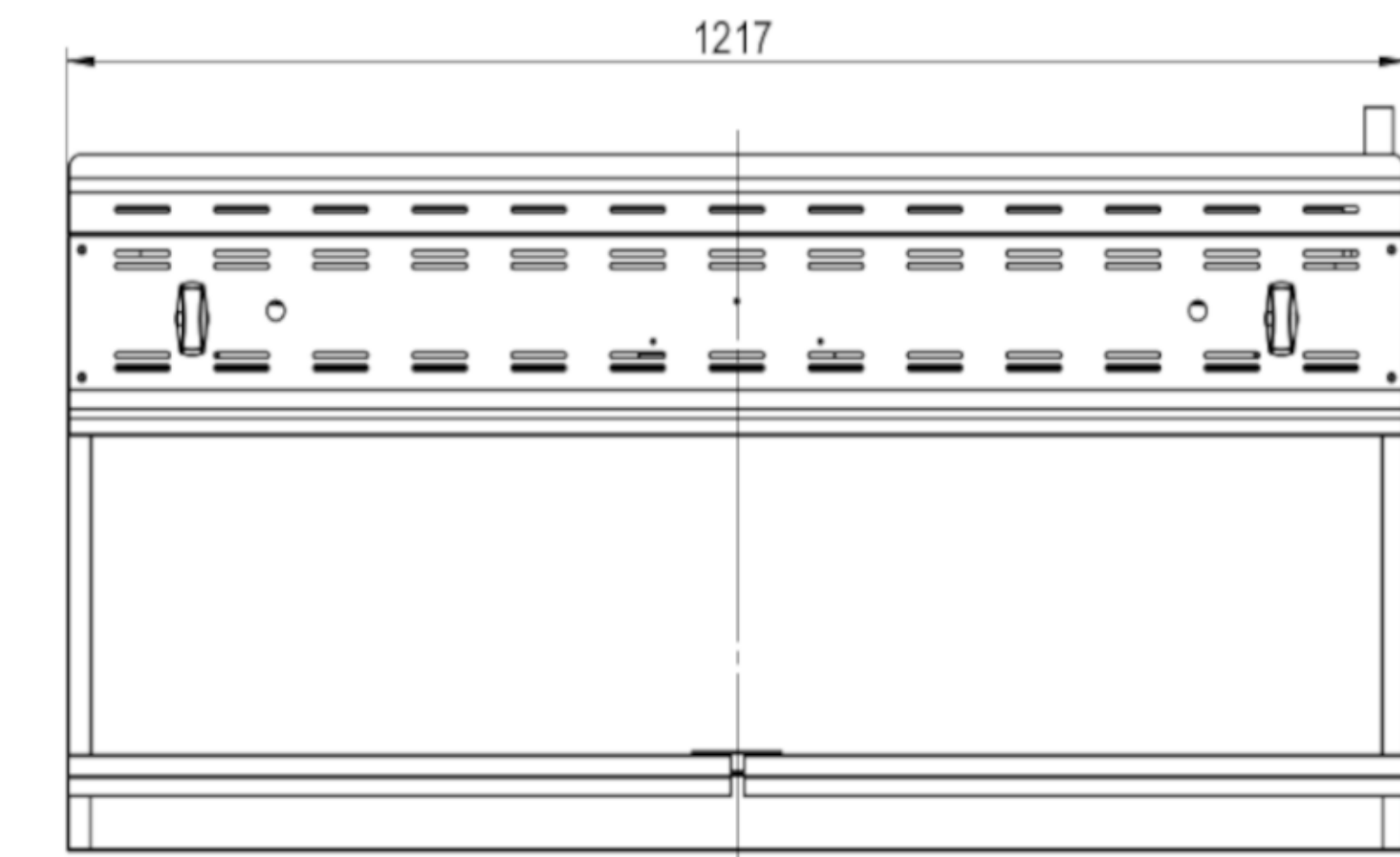
Model	Description	Total input (btu/hr)	Product (WxDxH)	Packing (WxDxH)	NW	GW
EGCM-24	Gas cheesemelter	20,000	610 x 475 x 580 mm 24 x 18.7 x 22.8 inch	770 x 640 x 770 mm 30.3 x 25.2 x 30.3 inch	46 kg 101 lbs	66 kg 145 lbs
EGCM-36	Gas cheesemelter	30,000	914 x 475 x 580 mm 36 x 18.7 x 22.8 inch	1080 x 640 x 770 mm 42.5 x 25.2 x 30.3 inch	63 kg 139 lbs	89 kg 196 lbs
EGCM-48	Gas cheesemelter	40,000	1219 x 475 x 580 mm 48 x 18.7 x 22.8 inch	1380 x 640 x 770 mm 54.3 x 25.2 x 30.3 inch	84 kg 185 lbs	114 kg 251 lbs
EGCM-60	Gas cheesemelter	50,000	1524 x 475 x 580 mm 60 x 18.7 x 22.8 inch	1680 x 640 x 770 mm 66.1 x 25.2 x 30.3 inch	101 kg 222 lbs	133 kg 295 lbs
EGCM-72	Gas cheesemelter	60,000	1829 x 475 x 580 mm 72 x 18.7 x 22.8 inch	1990 x 640 x 770 mm 73.3 x 25.2 x 30.3 inch	117 kg 257 lbs	161 kg 354 lbs



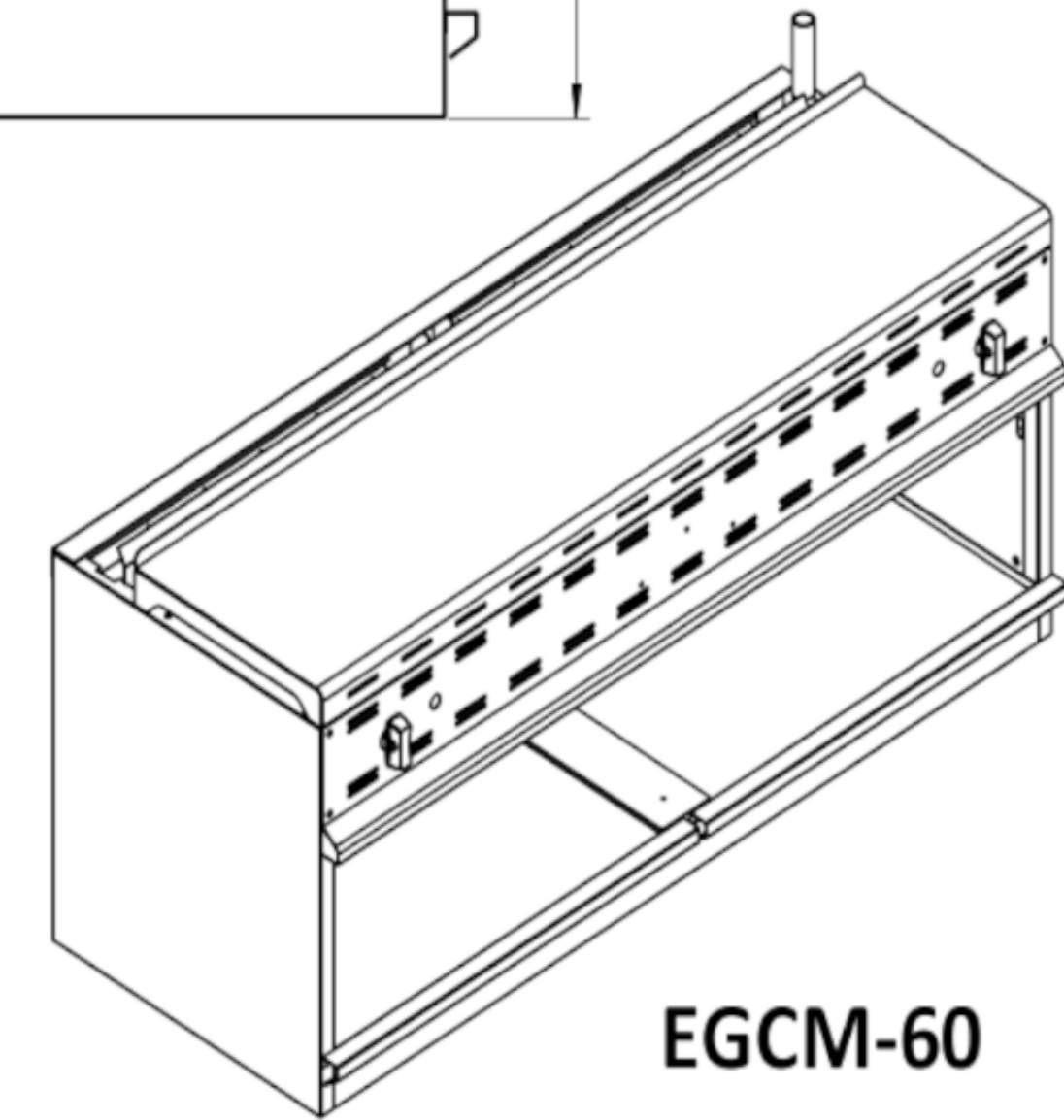
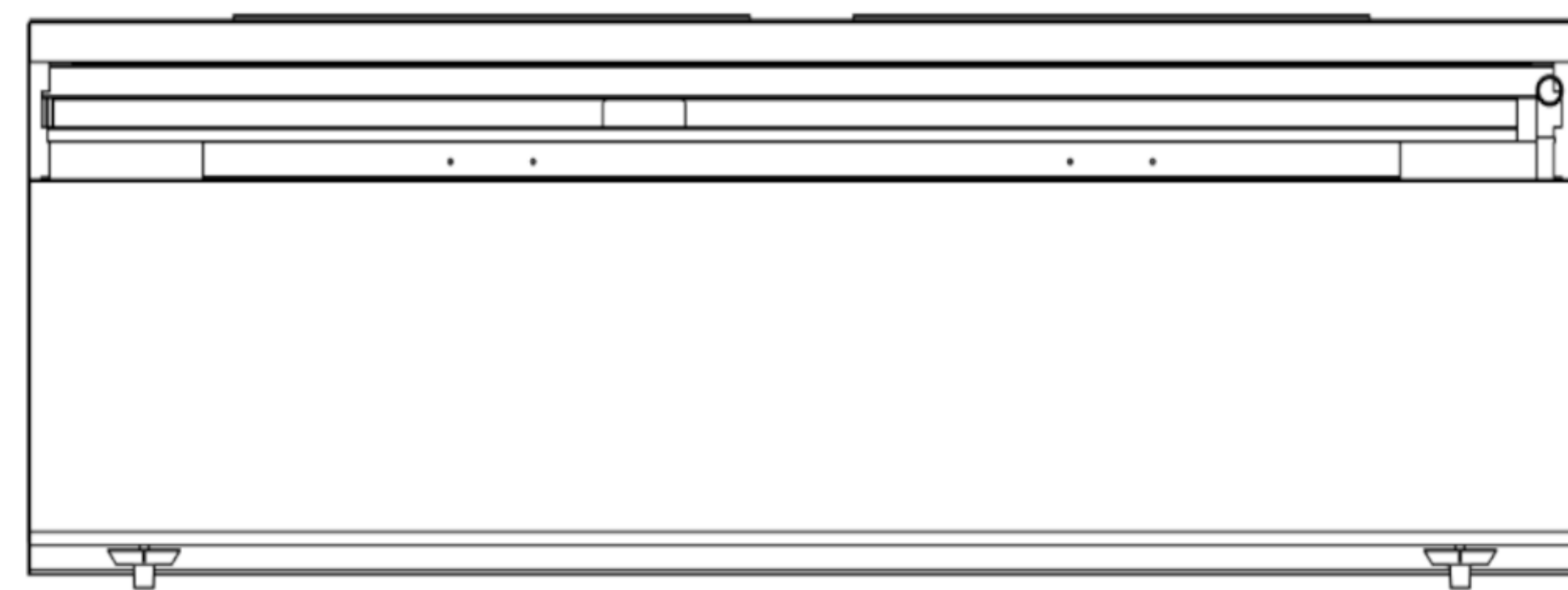
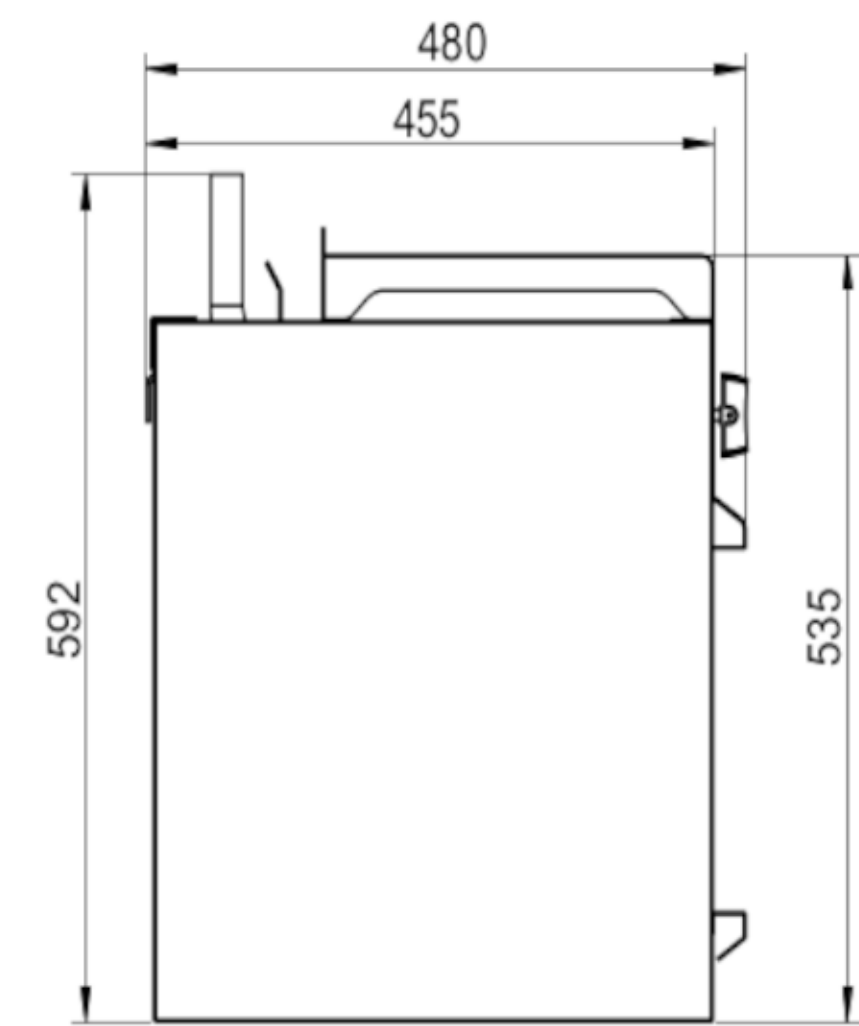
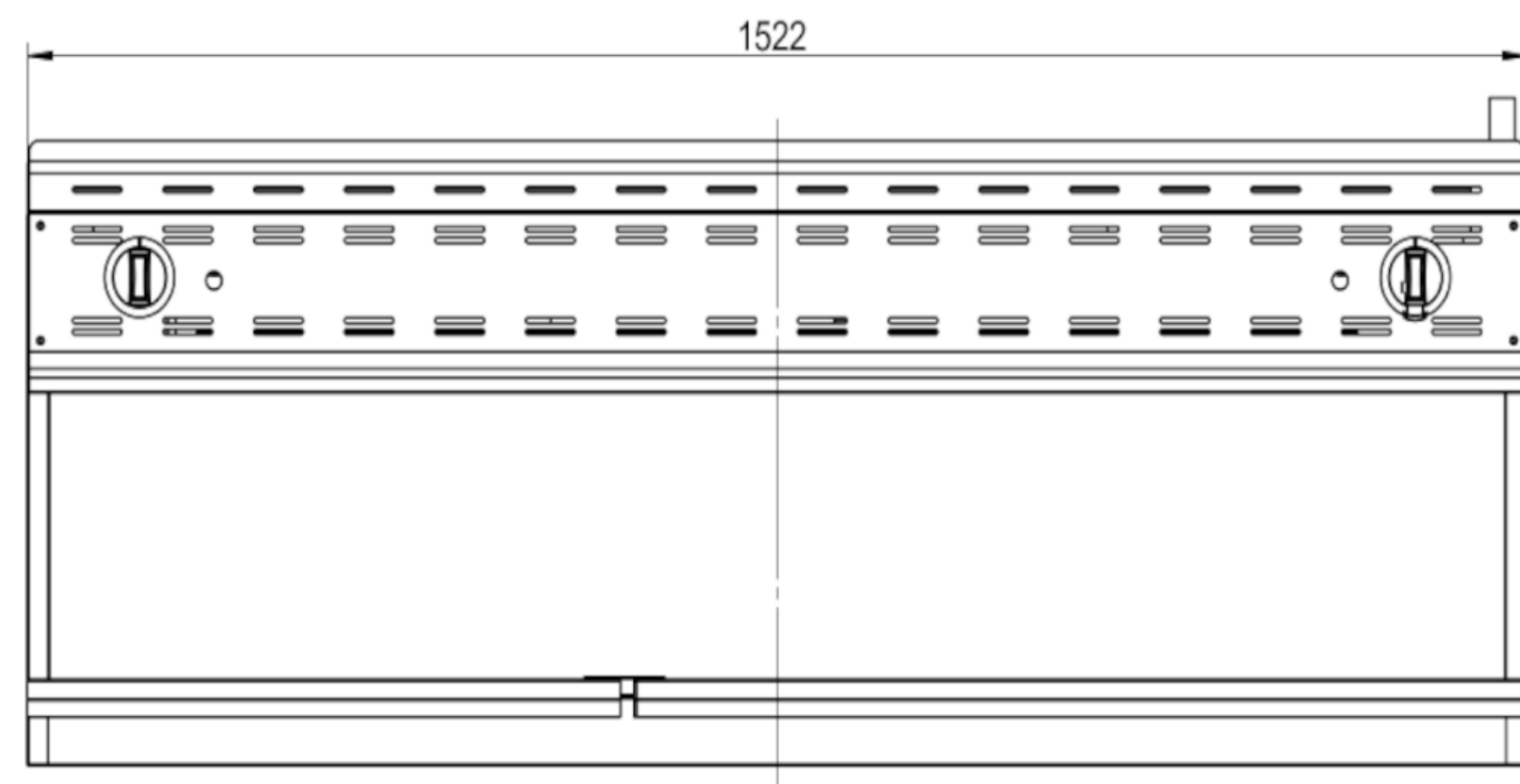
EGCM-24



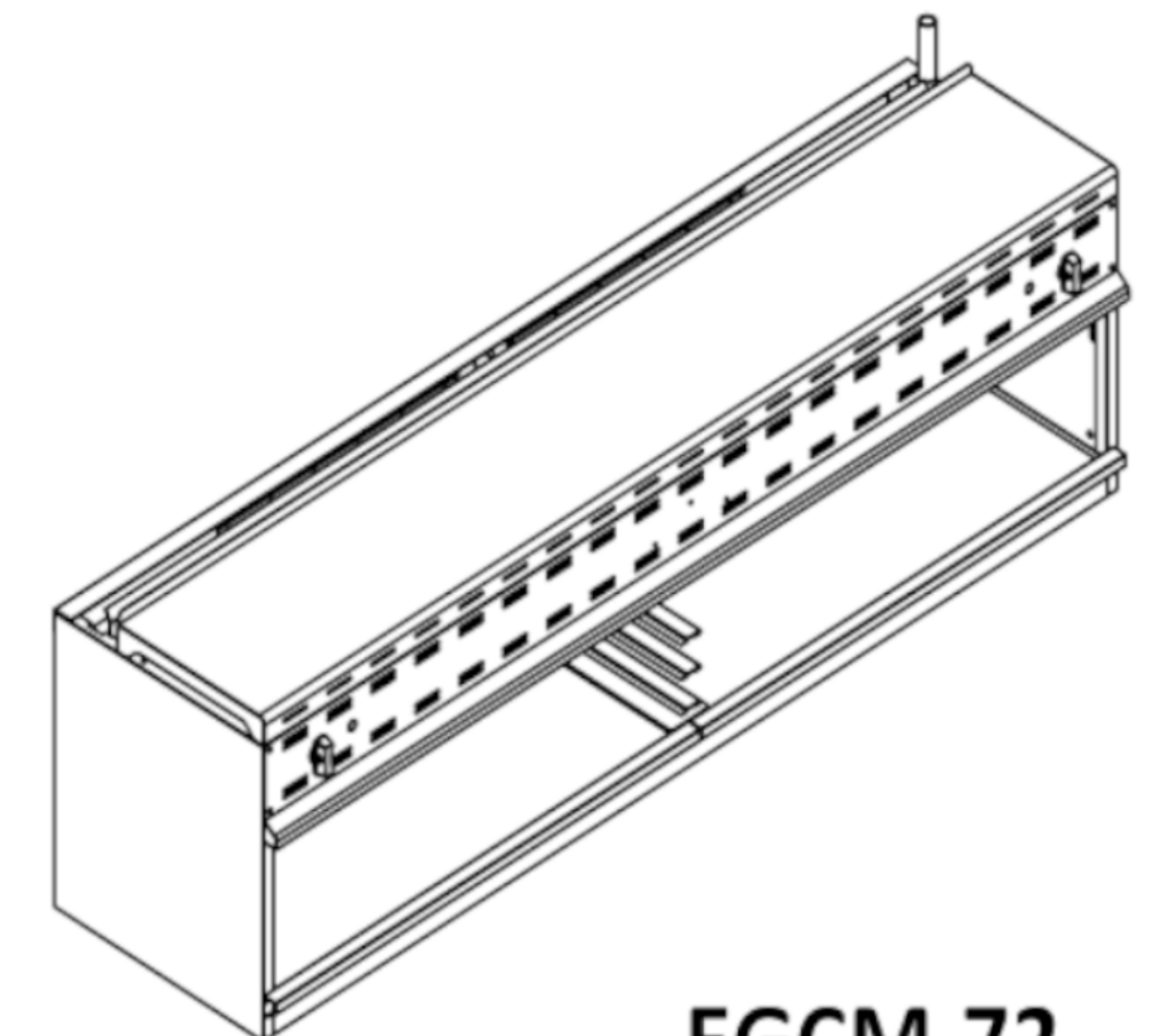
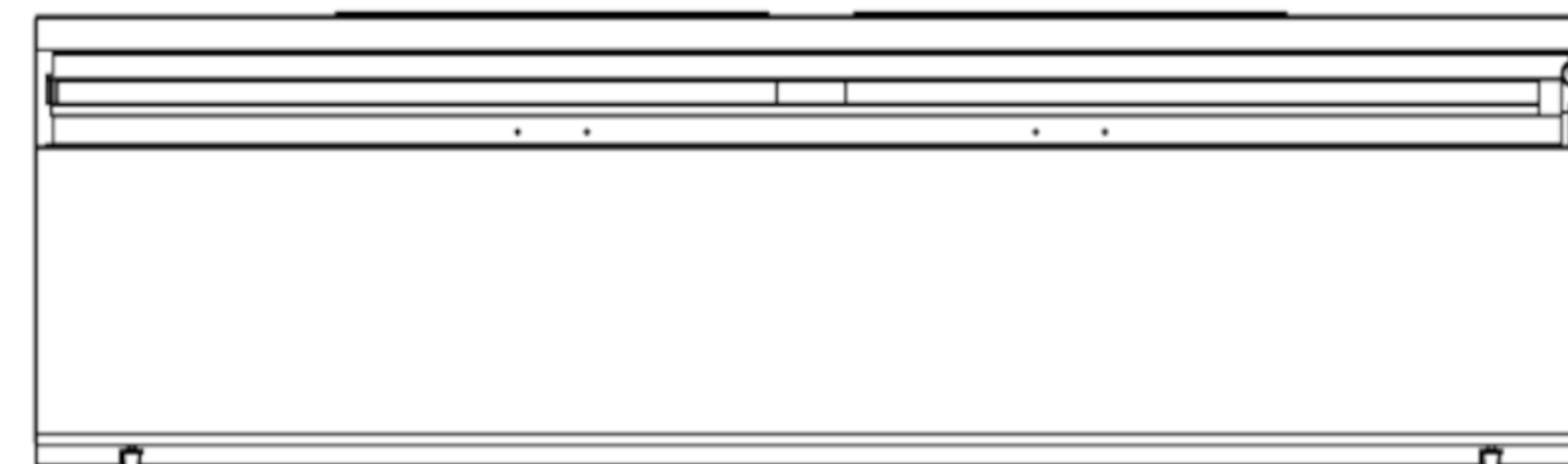
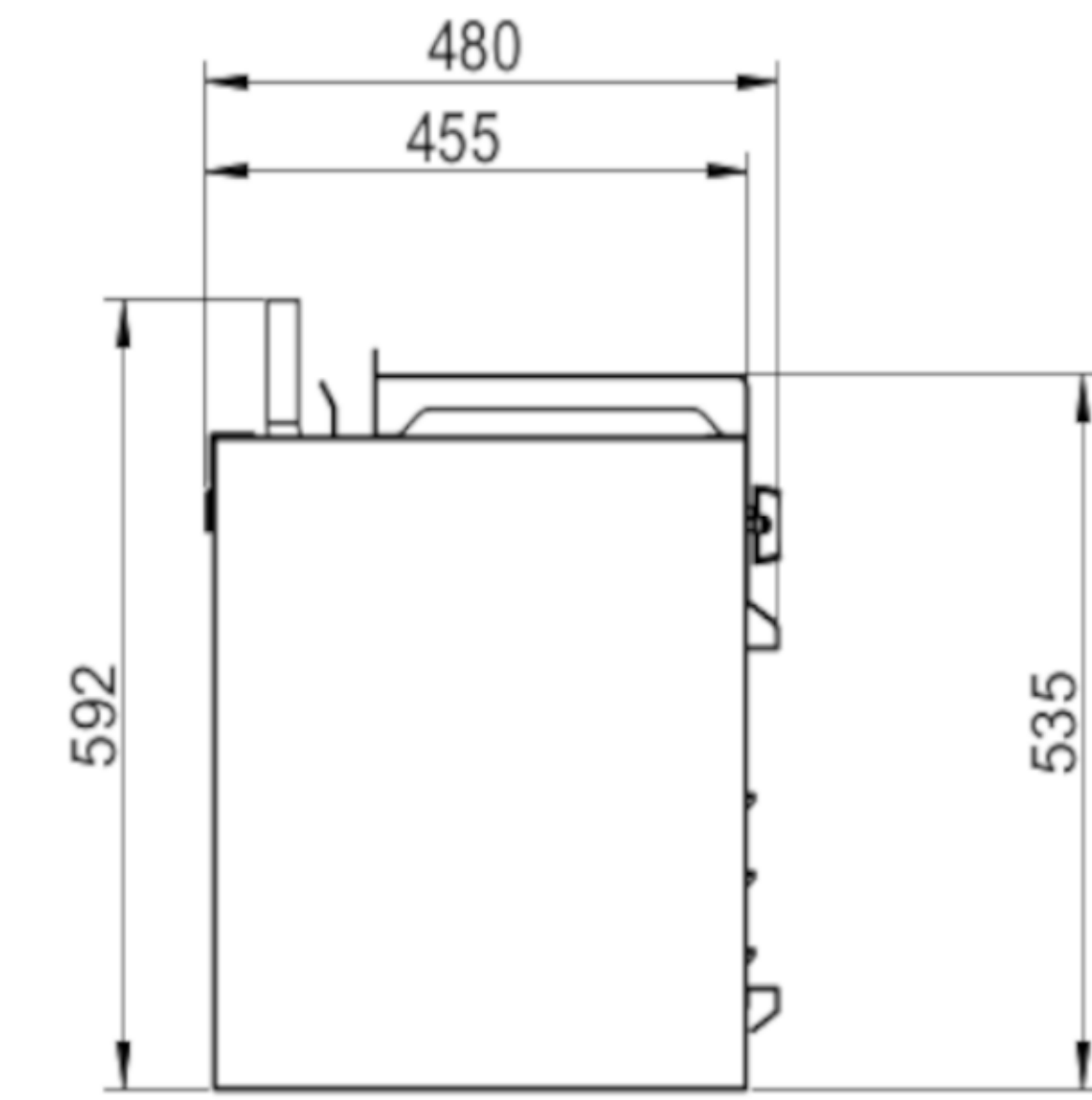
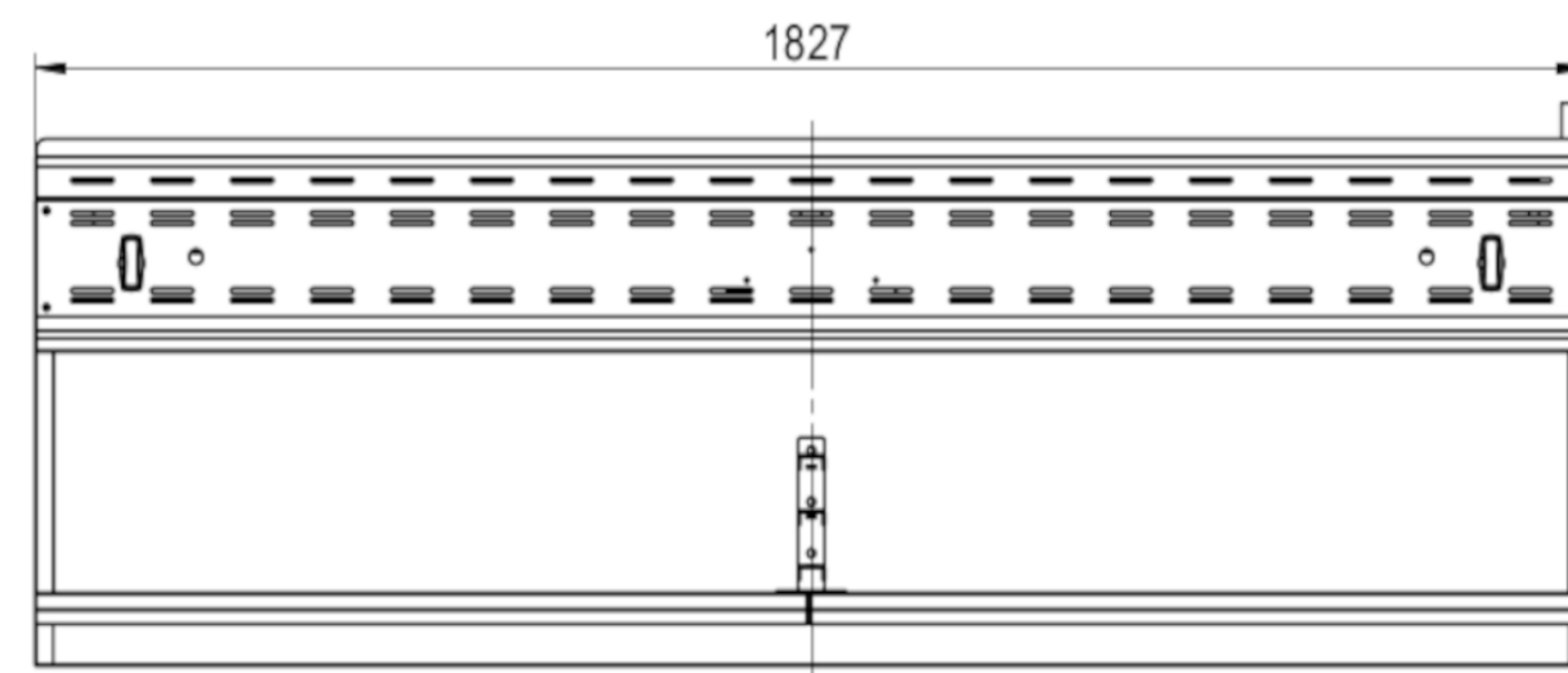
EGCM-36



EGCM-48



EGCM-60



EGCM-72