

# TECHNICAL DATA

## Dimensions

Exterior Dimensions (WxDxH)	72.75" x 24.375" x 35.625"
Interior Dimensions (WxDxH)	60.125" x 18.5" x 30.5"
Net Volume (cu. ft)	19.6 cu. ft
Gross Weight	381 lbs
Packaging Dimensions (WxDxH)	75" x 28" x 42"
Electrical Cord Length	94"

## Cooling

Temperature Range	33° - 40° F
Refrigerant	R290
Maximum Ambient Temperature Rating	90° F
Defrosting	Automatic
Temperature Display	Yes
Temperature Controller	Digital
H/P	1/3

## Construction

Exterior Material	430 series stainless steel
	Painted steel sides
Interior Material	304 series stainless steel
Insulation Material	Foamed in place polyurethane
Shelf Material	Plastic coated steel
Shelf Load Capacity	120 lbs

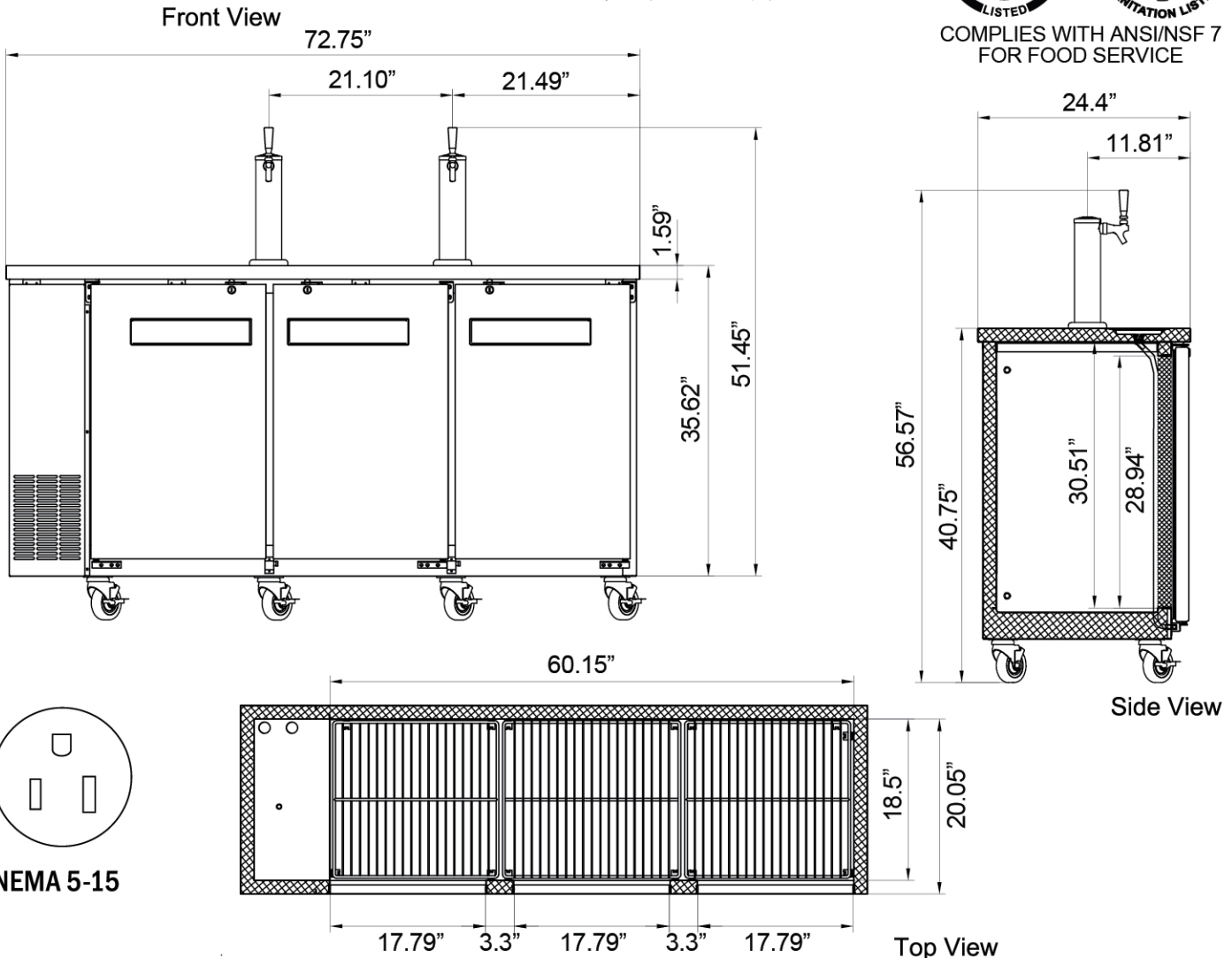
## Electrical

Voltage	115
Amps	7.3
Hz	60
Phase	1

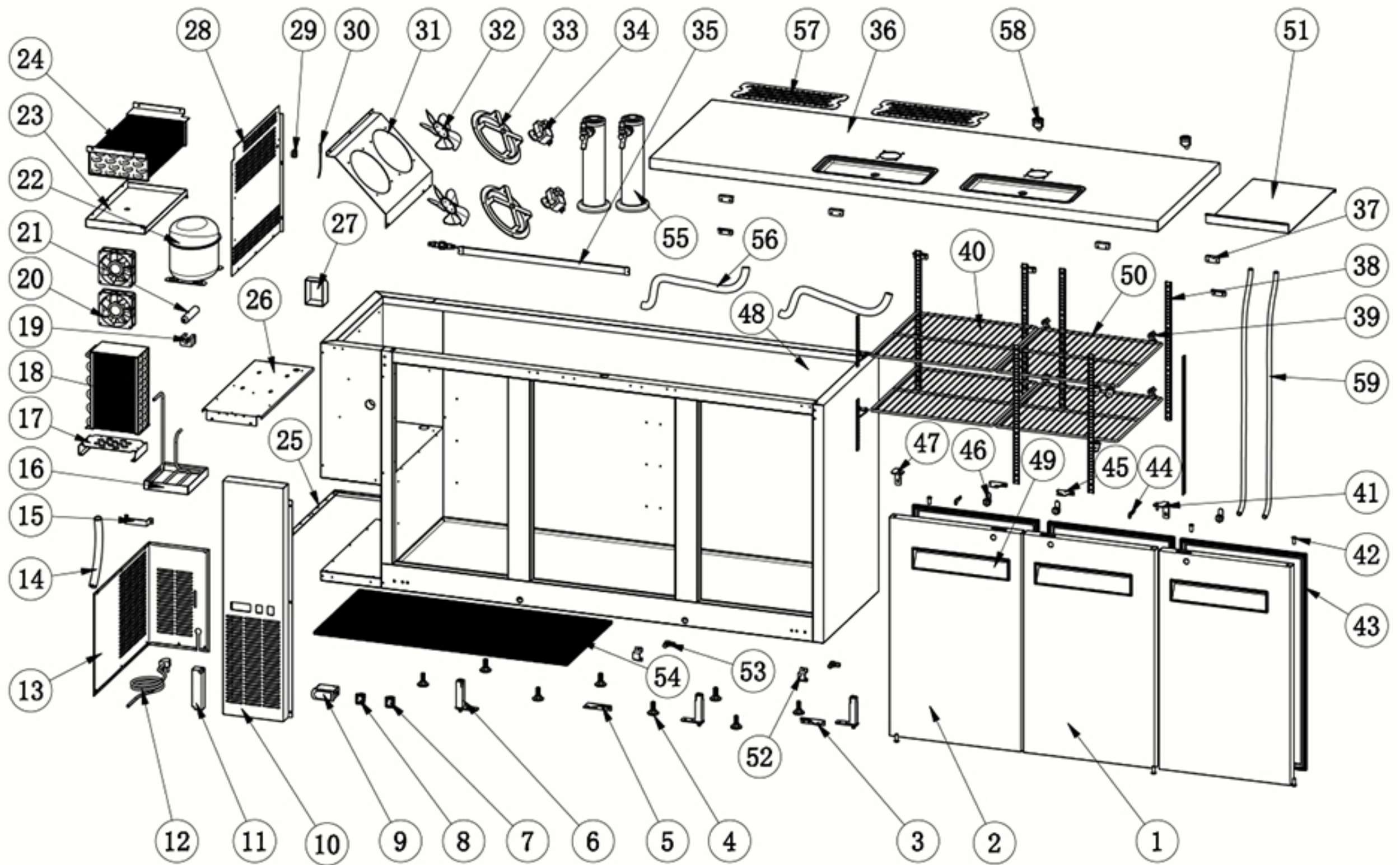
## PLAN VIEW



COMPLIES WITH ANSI/NSF 7 FOR FOOD SERVICE



# SBD-3



NO.	Part Name	Factory Part NO.	QTY
1	RIGHT DOOR		2
2	LEFT DOOR		1
3	BOTTOM RIGHT HINGE	12517140003	2
4	LEVELING FEET	12534030002	8
5	BOTTOM LEFT HINGE	12517140005	1
6	BOTTOM HINGE AXIS	12517010001	3
7	POWER SWITCH	17749211297	1
8	LED LIGHT SWITCH	17749180002	1
9	THERMOSTAT	17505180005	1
10	CONTROL PANNEL		1
11	LED POWER SUPPLY	22753530013	1
12	POWER CORD	17664640064	1
13	BACK GRILL		1
14	DRAIN HOSE	15818180020	1
15	HANDLE OF COMPRESSOR INSTALLATION BOARD		1
16	OUTER DRAIN PAN	16316130005	1
17	CONDENSER INSTALLATION BOARD		1
18	CONDENSER	17304110150	1
19	FILTER FIXER	16369690257	1
20	CONDENSER FAN MOTOR	22752520021	2
21	FILTER	17111250197	1
22	COMPRESSOR	17202163121	1
23	INNER DRAIN PAN		1
24	EVAPORATOR	17405080340	1
25	FIXED MOUNTS FOR BACK GRILL		1
26	COMPRESSOR INSTALLATION BOARD		11
27	COMPRESSOR COMPONENT		1
28	EVAPORATOR COVER		1
29	TEMPERATURE PROBE FIXER	16357060003	1
30	TEMPERATURE PROBE	17649490016	1
31	EVAPORATOR FAN INSTALLATION BOARD		1
32	EVAPORATOR FAN BLADE	16381738082	1
33	EVAPORATOR FAN HOLDER	12504050201	1
34	EVAPORATOR FAN MOTOR	22752520007	1
35	LED LIGHT	17740410069	1
36	TOP BOARD		1
37	TOP BOARD FIXER		8
38	K STRIP		12
39	K CLIP	5302000003	16
40	SHELF/LEFT AND RIGHT	12502460487	4
41	UPPER RIGHT HINGE		2

42	AXIS COVER	16353010008	6
43	GASKET	16401478763	3
44	KEY	12546310002	3
45	LOCK PLATE		3
46	LOCK	12546100952	3
47	UPPER LIGHT HINGE		1
48	CABINET		1
49	DOOR HANDLE	16337030003	3
50	MIDDLE SHELF	12502460522	2
51	AIR DEFLECTOR		1
52	BAFFLE		2
53	PLASTIC CONNECTOR	16369690006	2
54	RUBBER PAD	16413130006	1
55	BEER TOWER KIT - ONE TAP	12599993000	2
56	CORRUGATED PIPE	15799990729	2
57	COVER FOR BEER DRIP PAN		2
58	DRAIN CONNECTOR FOR BEER DRIP PAN	16369370060	2
59	DRAIN HOSE	15818180013	2