

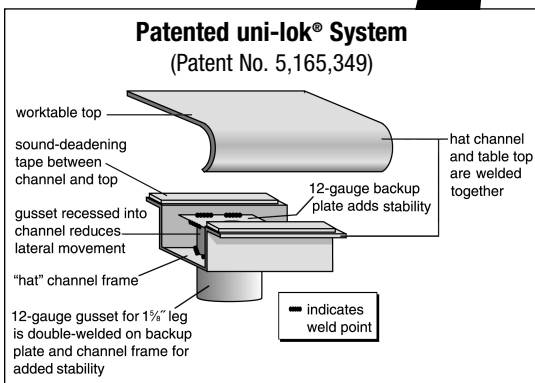
Specification Sheet

Short Form Specifications

BlendPort® worktables, Budget series model _____.
Top constructed of heavy gauge type 430 stainless steel with 1½" roll on front, 4½" backsplash, and sides turned down 90°. Open front with 1½" O.D. galvanized tubular crossbracing on sides and rear. Top reinforced with hat channels and sound deadened. Constructed with uni-lok® patented gusset system with the gussets recessed into the hat channels to reduce lateral movement. Legs are 1½" O.D. galvanized tubing, with galvanized gussets and 1" hi-impact plastic bullet feet.



*worktable with backsplash
and tubular base
—shown with optional drawer*



Item No.:	_____
Project No.:	_____
S.I.S. No.:	_____

Worktables with Backsplash and Galvanized Tubular Base —Budget Series

MODELS:

- | | |
|---|---|
| <input type="checkbox"/> BPT-2424GTB-BS | <input type="checkbox"/> BPT-3024GTB-BS |
| <input type="checkbox"/> BPT-2430GTB-BS | <input type="checkbox"/> BPT-3030GTB-BS |
| <input type="checkbox"/> BPT-2436GTB-BS | <input type="checkbox"/> BPT-3036GTB-BS |
| <input type="checkbox"/> BPT-2448GTB-BS | <input type="checkbox"/> BPT-3048GTB-BS |
| <input type="checkbox"/> BPT-2460GTB-BS | <input type="checkbox"/> BPT-3060GTB-BS |
| <input type="checkbox"/> BPT-2472GTB-BS | <input type="checkbox"/> BPT-3072GTB-BS |
| <input type="checkbox"/> BPT-2484GTB-BS | <input type="checkbox"/> BPT-3084GTB-BS |
| <input type="checkbox"/> BPT-2496GTB-BS | <input type="checkbox"/> BPT-3096GTB-BS |

Tabletop

- Patented uni-lok® gusset system (patent #5,165,349): gussets are recessed into hat channel, reducing lateral movement.
- Top reinforced with welded-on hat channel.
- Sound-deadened between top and channels.
- 4½" (114mm)-high 90° backsplash with 1" (25mm) turn at 90°.
- 1½" (38mm)-diameter 180° rolled edge on front. Ends are turned down 90°, providing for flush installations when required.
- Heavy gauge type 430 polished stainless steel.

Crossbracing—1½" (38mm)-diameter

- Heavy gauge, galvanized.
- Aluminum castings join crossbraces, legs and rear brace.

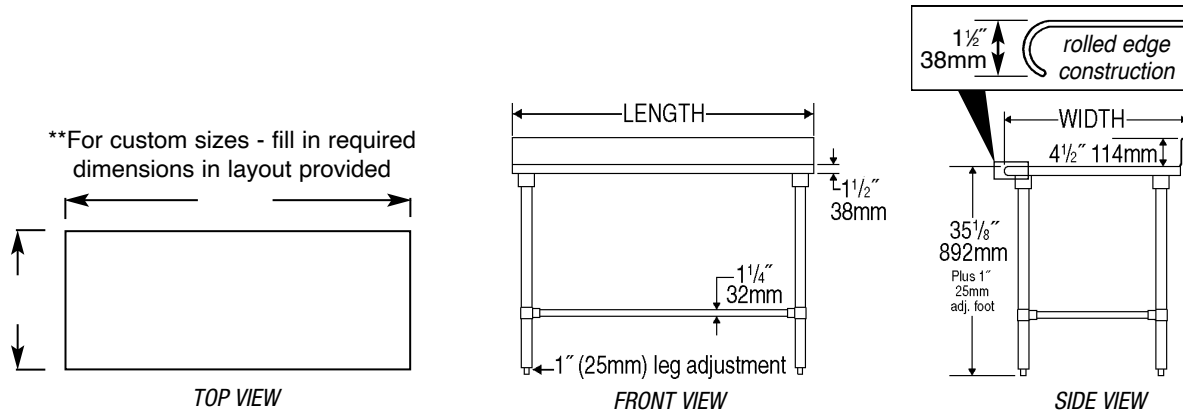
Legs—1½" (41mm)-diameter

- Tables 96" (2438mm) and longer come with six legs or more.
- Heavy gauge galvanized steel.
- 1" (25mm) adjustable hi-impact plastic feet*.

* Optional casters available. Consult factory.

Item No.:	
Project No.:	
S.I.S. No.:	

Worktables with Backsplash and Galvanized Tubular Base —Budget Series



model #	# of legs	width		length		weight	
		in.	mm	in.	mm	lbs.	kg
<i>BPT-2424GTB-BS</i>	4	24"	610	24"	610	55	25.0
<i>BPT-2430GTB-BS</i>	4	24"	610	30"	762	62	28.1
<i>BPT-2436GTB-BS</i>	4	24"	610	36"	914	65	29.5
<i>BPT-2448GTB-BS</i>	4	24"	610	48"	1219	70	31.8
<i>BPT-2460GTB-BS</i>	4	24"	610	60"	1524	86	39.0
<i>BPT-2472GTB-BS</i>	4	24"	610	72"	1829	94	42.6
<i>BPT-2484GTB-BS</i>	4	24"	610	84"	2134	145	65.7
<i>BPT-2496GTB-BS</i>	6	24"	610	96"	2438	169	76.7
<i>BPT-3024GTB-BS</i>	4	30"	762	24"	610	60	27.2
<i>BPT-3030GTB-BS</i>	4	30"	762	30"	762	63	28.6
<i>BPT-3036GTB-BS</i>	4	30"	762	36"	914	66	29.9
<i>BPT-3048GTB-BS</i>	4	30"	762	48"	1219	83	37.7
<i>BPT-3060GTB-BS</i>	4	30"	762	60"	1524	92	41.7
<i>BPT-3072GTB-BS</i>	4	30"	762	72"	1829	113	51.3
<i>BPT-3084GTB-BS</i>	4	30"	762	84"	2134	145	65.8
<i>BPT-3096GTB-BS</i>	6	30"	762	96"	2438	180	81.7