

PREMIUM 2-BOWL 1-DRAINBOARD SINK (RIGHT)

SINKS - 2 BOWLS



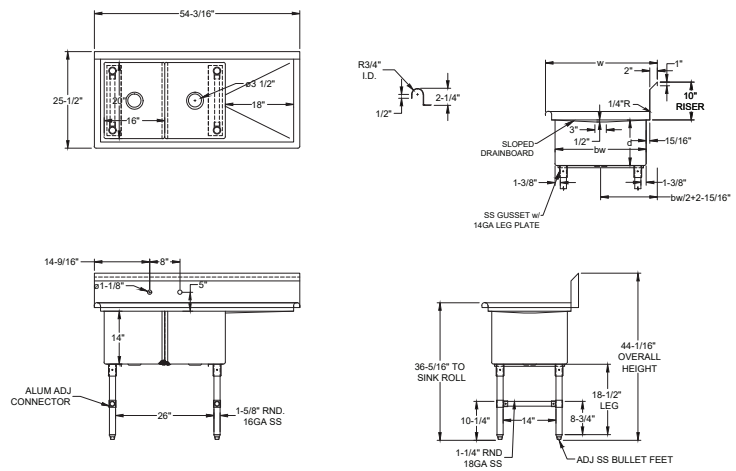
MATERIALS

- 16 Gauge 300 Series Stainless Steel; Fabricated
- Stainless Steel Legs, Gussets, Cross-Bracing, and Bullet Feet

**COMPATIBLE WITH
NEW NBR FAUCETS!
SEE PAGE 75**

FEATURES

- 10"H Backsplash with 2" Return to Wall
- 8" On-Center Wall-Mounted Faucet Holes
- 3-1/2" Die-Stamped Drain Opening With Drain Baskets Included
 - One Drainboard (Right Side)
 - Cross-Bracing for Reinforced Support
 - Adjustable Bullet Feet



MODEL NUMBER	BOWL SIZE L X W X H	LENGTH	WIDTH	DRAINBOARD SIZE
2SS-162014R18	16" x 20" x 14"	54-3/16"	25-1/2"	18"
2SS-181814R18	18" x 18" x 14"	58-3/16"	23-1/2"	18"
2SS-182414R18	18" x 24" x 14"	58-3/16"	29-1/2"	18"
2SS-242414R24	24" x 24" x 14"	76-3/16"	29-1/2"	24"