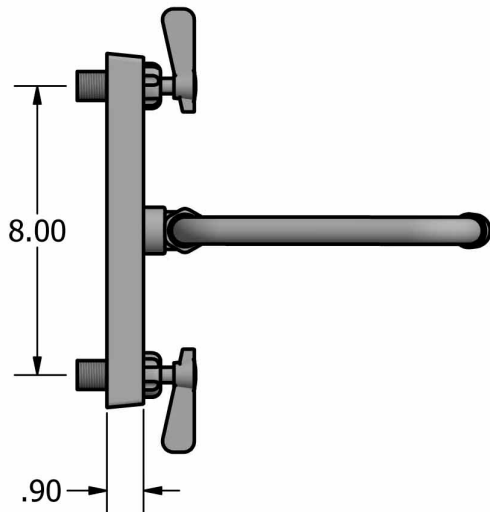
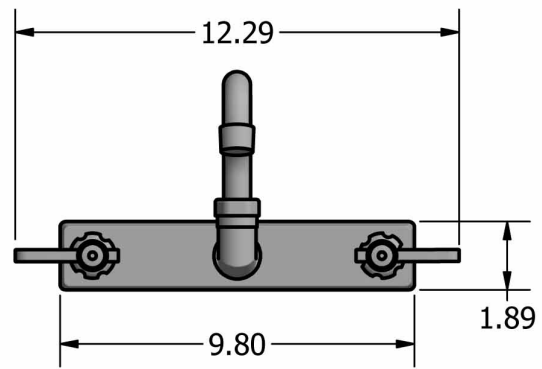
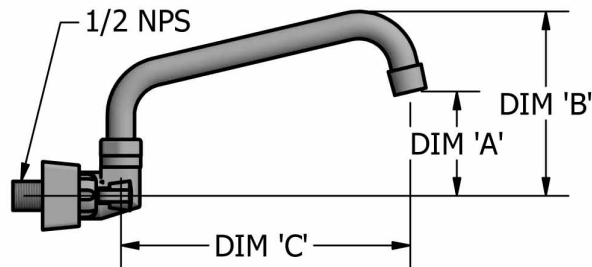




Use your smart phone to scan the above QR code to visit our website: www.bk-resources.com

8" Splash Mount Stainless Steel Faucet with Swing Spout

Model: EVO-8SM



Product Specifications:

- T-304 Cast Stainless Steel
- 1/4 Turn Ceramic Cartridges
- Color Coded Hot & Cold Indicators
- Double O-Ring Spout Seal
- Stainless Steel Cover
- Integral Check Valve
- Lead Free Compliant
- Lifetime Warranty

Product Detail:

Model Number	DIM. A	DIM. B	DIM. C	Product Weight (lbs)
EVO-8SM-6	1.69"	4.25"	6"	5.00
EVO-8SM-8	1.94"	4.63"	8"	5.00
EVO-8SM-10	2.25"	4.88"	10"	5.00
EVO-8SM-12	2.00"	4.69"	12"	5.00
EVO-8SM-14	2.88"	5.56"	14"	5.00
EVO-8SM-16	2.38"	5.13"	16"	5.00
EVO-8SM-XX	Body Only	-	-	4.00

Certifications:



Certified to NSF/ANSI 61 Section 9-G

PRODUCT SPECIFICATION SHEET

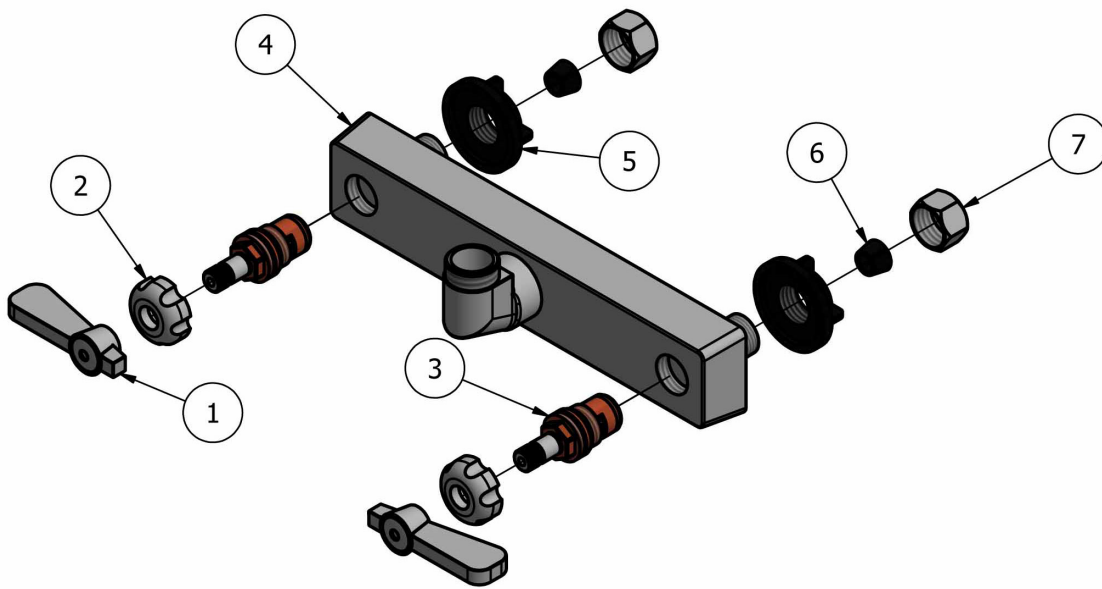
RESOURCES





8" Splash Mount Stainless Steel Faucet with Swing Spout

Model: EVO-8SM



Exploded Parts Detail:

Diagram #	Quantity	Part Number	Description
1	2	EVO-8SM-HANDLE	Handle
2	2	EVO-8SM-BONNET	Valve Bonnet
3	2	EVO-8SM-VALVE	Ceramic Valve
4	1	EVO-8SM-BODY	Faucet Body
5	2	EVO-8SM-MN	Mounting Nut
6	2	EVO-8SM-CF	Compression Fitting
7	2	EVO-8SM-CN	Compression Nut

PRODUCT SPECIFICATION SHEET

RESOURCES

