

Project _____

Item Number _____

Quantity _____

1000S



1000S Premium Slicer

Model:

➤ 1000S: 1/2hp Automatic Slicer



CERTIFIED BY NSF INTERNATIONAL TO MEET
AND EXCEED THE NSF/ANSI 2012 STANDARDS

Premium Series Slicer

Features:

- Supermarket quality slicer
- Simple automatic control: 3 speed, 3 stroke length, and slice counter
- Unique drip tray fence redirects liquids away from controls and operator towards distinctive concave base casting for easy cleaning
- Ergonomic comfort design operation
- Powerful 1/2 hp motor standard
- Adjustable slice thickness from 0 to 7/8"
- Tilting carriage and removable sharpener for easy cleaning
- Quick and simple disassembly of carriage and feed grip for easy and thorough cleaning
- Sanitary polished and anodized aluminum construction
- Permanently mounted protective edge guard for operator safety
- Heavy duty 3-1/2 lb gravity fed grip
- Built in lift lever for under slicer cleaning
- Stationary knife guard and carriage
- Low friction blade

13" Precision slicing German hollow ground blade
Ultra Safe zero blade edge exposure while cleaning
Unique smooth curve transitions to redirect liquids away from controls and operator

Univex Corporation

Optional Accessories:

- Serrated blade
- Heavy duty clear plastic cover
- Stainless steel vegetable chute
- Security reinforced prison package

Warranty:

- One year, on-site parts and labor

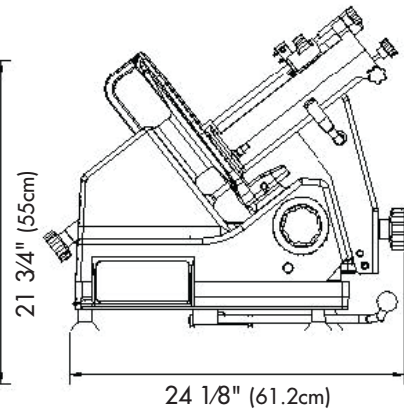
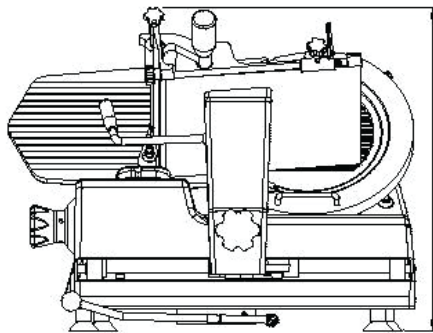
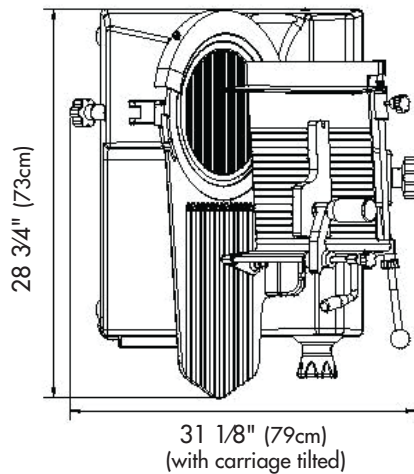
*Univex slicers are not intended for semi-frozen or frozen product with the exception of Model 8713M with semi-frozen blade package.



WE RAISE THE BAR. WE SET THE STANDARD.

Premium Series Slicer

1000S



Controls: Manual slice thickness knob, digital membrane control for speed, stroke, and counter, removable blade sharpener

Drive Assembly: Belt driven

Blade diameter: 13" (33cm) razor sharp blade

Blade RPM: 337 RPM

Maximum slice thickness: .875" (2.2cm)

Maximum product size: Rectangular: 10.25" x 6" (26cm x 15.2cm)
 Square: 6" x 6" (15.2cm x 15.2cm)
 Round: 8" (20.3cm)

Construction: Anodized, cast aluminum body for durability and stunning looks

Carriage Strokes					
Carriage Stroke		Strokes Per Minute			
Manual	11.75" (29.8cm)		Slow	Medium	Fast
Small	4.25" (10.8cm)	Small	51	59	64
Medium	7.5" (19cm)	Medium	39	44	50
Large	11" (28cm)	Large	35	42	52

Electrical Information (60Hz)						
	Voltage	Phase	Amps	RPM	hp(kW)	NEMA
Standard Voltage	115	1	4.0	1680	1/2 (.37)	5-15P
Optional Voltage	208-240	1	2.5	1680	1/2 (.37)	6-15P

Shipping Information		
Net Weight	Shipping Weight	Overall Shipping Dimensions
153 lbs. (69.4Kg)	163 lbs. (73.9Kg)	29" (73.9cm) H x 25" (64.5cm) W x 30" (74.9cm) D



Univex Corporation
www.Univexcorp.com

3 Old Rockingham Rd
 Salem, NH 03079
 United States of America

TEL: (800)258-6358
 INTL TEL: (603)893-6191
 FAX: (800)356-5614
 INTL FAX: (603)893-1249