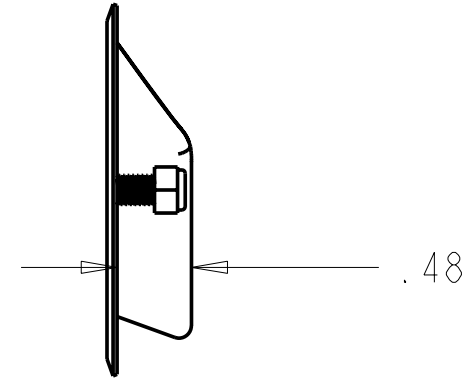


SCALE 0.800



HAND WARE- PLUMBING & COMMERCIAL COMPONENTS & SUPPLIES				
SINKS * WASHING * DRAINAGE * EQUIPMENT				
MODEL #: BKSSRDP	DESCRIPTION: Sliding Door Pull .188 OD Studs W/ Nuts			
MATERIAL:	DATE:	DRAFTER:	SCALE: 6"=1"-0"	APPROVED BY:

REVISIONS	DATE

BK Resources
 1609 WEST WERNING AVE., SUITE D
 EFFINGHAM, IL 62401
 (888)310-4393 / FAX (888)310-4394
 EMAIL: sales@bk-resources.com
 VISIT OUR WEBSITE
 www.bk-resources.com

Dimensions subject to change without prior notification. This illustration is the exclusive property of BK Resources. It may not be distributed in any manner without the express consent of BK Resources