

APPLICATION:

PRODUCT NAME:
SS SINGLE PEDAL CONTROL VALVE
FLOOR MOUNT

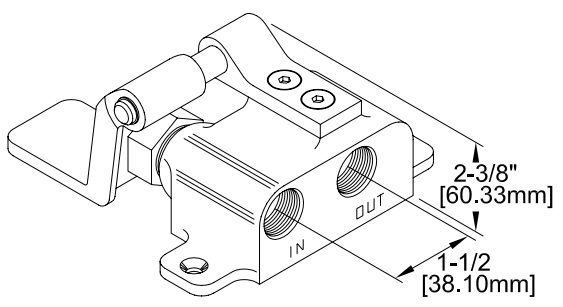
JOB NAME:

SPECIAL CONFIGURATION
 CHECK BASE MODEL AND OPTIONS

QUANTITY:

ITEM NO.

MODEL:
 47759



FEATURES

- * PEDAL ANODIZED ALUMINUM
- * CYLINDER CLOSING WITH WATER FLOW
- * POLISHED STAINLESS STEEL BODY

RECOMMENDED SETTINGS

- * 110°F AT 80 PSI

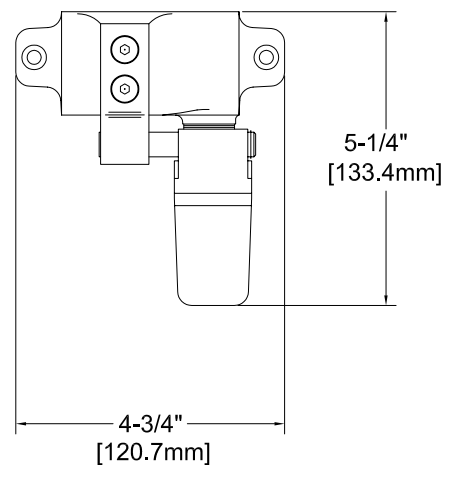
SYSTEM LIMITS

- * TEMP: 40°F MIN. TO 140°F MAX.
- * PRESSURE 200 PSI MAX. STATIC

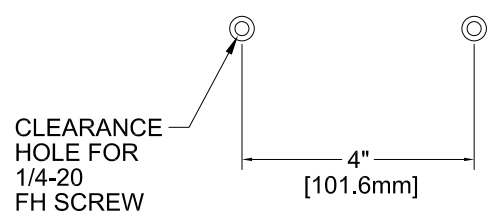
SHIPPING WEIGHT

- * 2.75 LBS

- * NSF 61-9 APPROVED & LISTED
www.truesdail.com



ROUGH-IN:



ANSI/A112.18.1M

FISHER
 FISHER MANUFACTURING COMPANY
 TOLL FREE: 800-421-6162 - FAX: 800-832-8238
information@fisher-mfg.com - www.fisher-mfg.com