

Project: _____	AIA# _____
Item #: _____ Qty: _____	SIS# _____
Model #: _____	

## Beer Drainers

<b>C-BD</b>	C-BD-18, C-BD-24, C-BD-30, C-BD-36
-------------	------------------------------------

### Standard Features

- All stainless steel construction
- Designed with lowered work surface to work in conjunction with undercounter mounting beverage dispensers
- Adjustable stainless steel bullet feet
- Backsplash pulled forward 5" to create large chaseway for beverage line access
- Front drain pan with lift-out stainless steel perforated insert



C-BD-18



### Specifications

- Drain**
- 1/2" welded tailpiece. Clear vinyl drain line is connected to the tailpiece at the factory. A 1/2" by 1/2" barbed plastic elbow is provided to make the connection at the bottom of the unit.
- Legs**
- 1-5/8" diameter, 16 gauge stainless steel
  - Stainless steel bullet feet
- Materials**
- 20 gauge stainless steel

To view cleaning and care instructions, please visit: [https://glastender.com/PDF/F-423-011\\_ss\\_clean\\_care.pdf](https://glastender.com/PDF/F-423-011_ss_clean_care.pdf)

<p><b>Glastender, Inc.</b> • 5400 North Michigan Road • Saginaw, MI • 48604-9780 989.752.4275 • 800.748.0423 • Fax 989.752.4444 <a href="https://glastender.com">https://glastender.com</a></p>	<p>Approval/Notes:</p>
<p>Specifications subject to change without notice. For current specifications please visit our website.</p>	

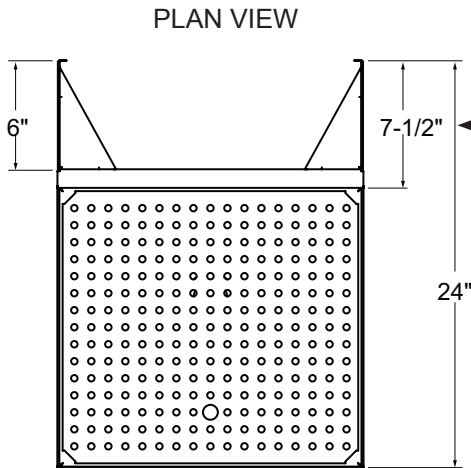
# Choice Beer Drainers

## Drawings

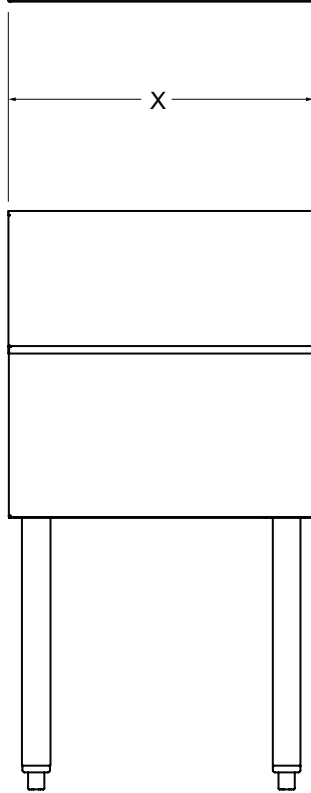
Model Number	X
C-BD-18	18"
C-BD-24	24"
C-BD-30	30"
C-BD-36	36"

### Notes:

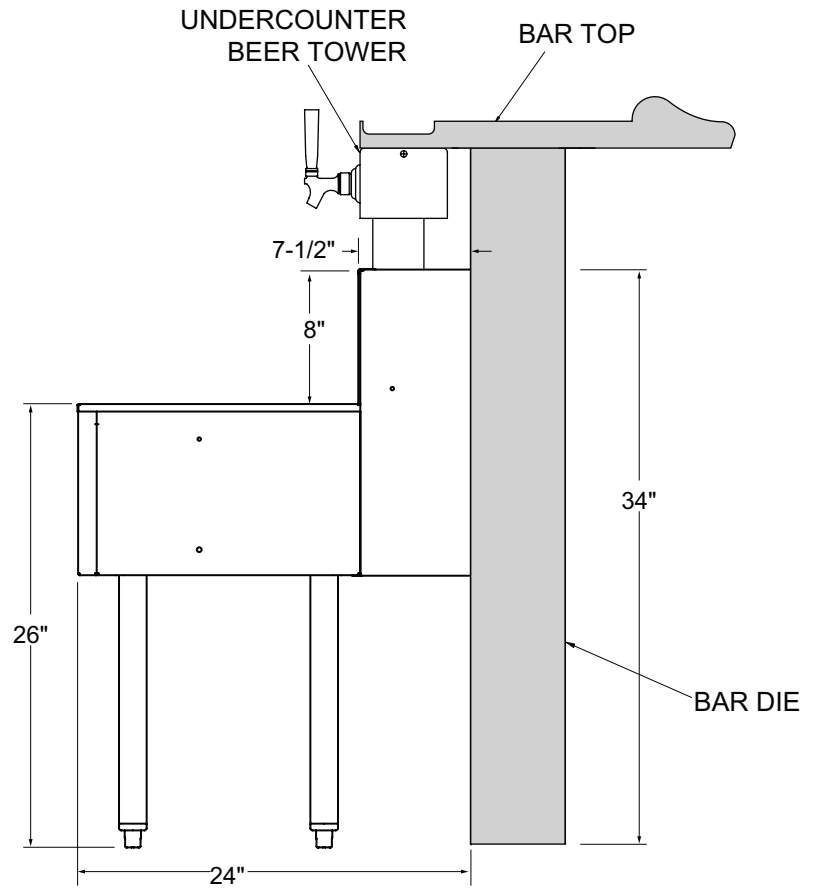
- A minimum clearance height below the bar top of 38-1/2" and a minimum 7" bar top overhang is required when C-BD models are used in conjunction with a Glastender UC model undercounter tower.
- C-BD models can accommodate 7" to 14" deep bar top overhangs.
- The bar top overhang must be specified when order.



- When specified along with a Glastender UC model undercounter tower, the front-to-back dimension of the rear chase will be extended if necessary to align the tower properly based on the bar top overhang specified by the customer.



FRONT ELEVATION



SIDE ELEVATION