



HANDLING AND STORAGE

SERVING THE FOOD INDUSTRY SINCE 1951

STAINLESS STEEL ROTO CART

Item: 43469



**CONVENIENTLY AND SAFELY
TRANSPORT FOOD PRODUCTS
FROM ONE PLACE TO ANOTHER**



WARRANTY



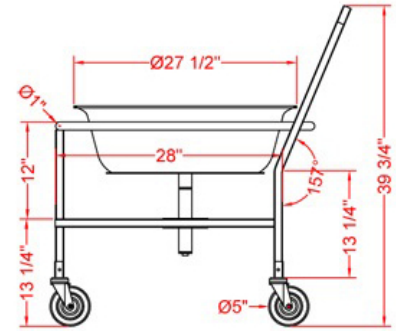
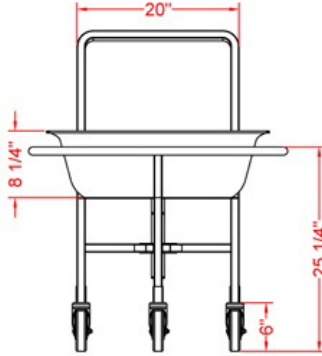
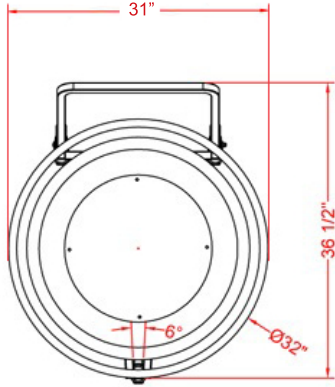
Authorized Dealer

HANDLING AND STORAGE

STAINLESS STEEL ROTO CART



TECHNICAL DRAWING AND DIMENSIONS



TECHNICAL SPECIFICATIONS

ITEM	43469
DESCRIPTION	Stainless Steel Cart with 3 Fully Welded Wheels
LOADING CAPACITY	220 lbs. / 100 kg.
WEIGHT	41 lbs. / 19kg.
PACKAGING WEIGHT	46 lbs. / 21 kg.
DIMENSIONS (DWH)	36.5" x 31" x 39.75" 927.1 x 787.4 x 1009.65 mm
PACKAGING DIMENSIONS	37" x 34" x 41" 939.8 x 863.6 x 1041.4 mm



OMCAN INC.

Telephone: 1-800-465-0234
 Fax: (905) 607-0234
 Email: sales@omcan.com
 Website: www.omcan.com



Follow us to keep up to date with the latest news and offers

