

"ALMBR-T" MEAT BOAT RACKS

Aluminum - Table Mount

FEATURES:

- Type 6063-T5 Aluminum
- Square Tube Frame, Slatted Shelf, Back And Sides
- Table Mount
- Standard With Paper Tray



ACCESSORIES

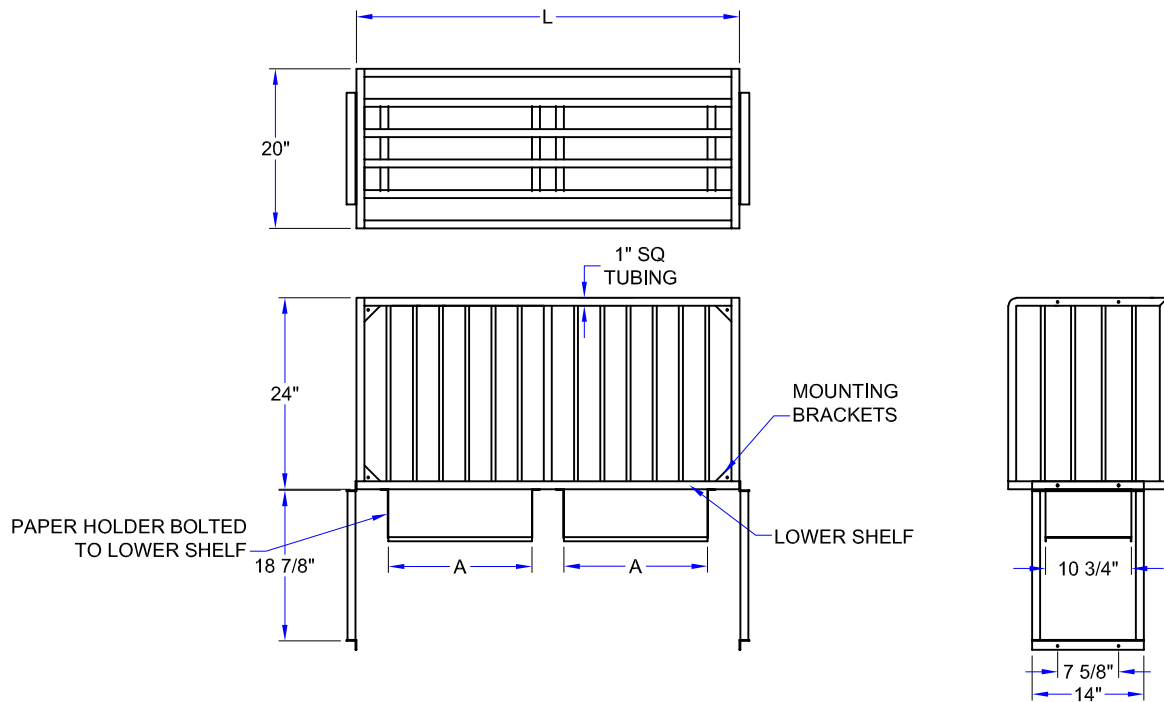
MODEL	DESCRIPTION
MBR14	Stainless Steel Dividers

"ALMBR-T" MEAT BOAT RACKS

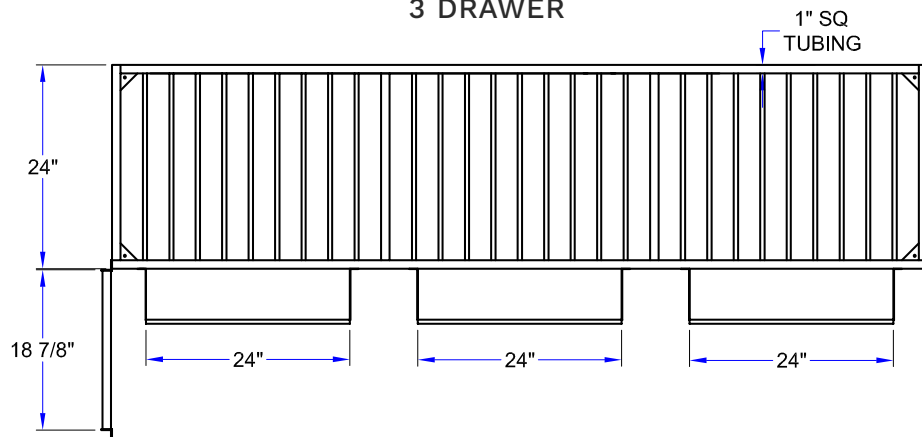
MODEL	SIZE (L X W)	# OF DRAWERS	PAPER HOLDER WIDTH (A)	WEIGHT (LBS)
ALMBR-4T	48"x20"	2	18"	16
ALMBR-5T	60"x20"	2	24"	18
ALMBR-6T	72"x20"	2	30"	21
ALMBR-8T	96"x20"	3	24"	24

ALL DIMENSIONS ARE TYPICAL. TOLERANCE +/- .500". JOHN BOOS & CO. RESERVES THE RIGHT TO CHANGE SPECIFICATIONS WITHOUT NOTICE.

DETAILED SPECIFICATIONS



3 DRAWER



"ALMBR-T" MEAT BOAT RACKS

MODEL	SIZE (L X W)	# OF DRAWERS	PAPER HOLDER WIDTH (A)	WEIGHT (LBS)
ALMBR-4T	48"x20"	2	18"	16
ALMBR-5T	60"x20"	2	24"	18
ALMBR-6T	72"x20"	2	30"	21
ALMBR-8T	96"x20"	3	24"	24

ALL DIMENSIONS ARE TYPICAL. TOLERANCE +/- .500". JOHN BOOS & CO. RESERVES THE RIGHT TO CHANGE SPECIFICATIONS WITHOUT NOTICE.