

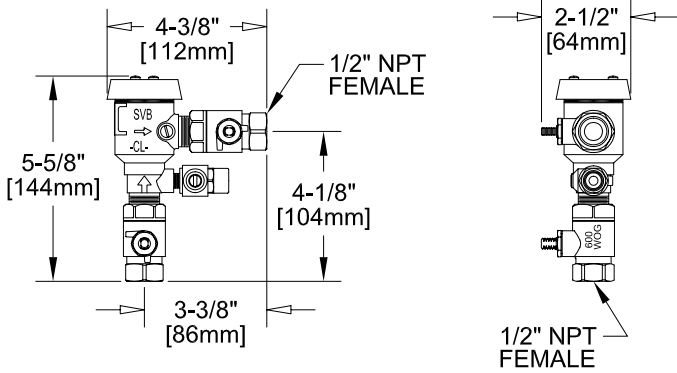
APPLICATION:  
 JOB NAME:

PRODUCT NAME:  
 EXPOSED PIPING REEL RINSE  
 INSTALLATION KIT  
 SPECIAL CONFIGURATION  
 CHECK BASE MODEL AND OPTIONS

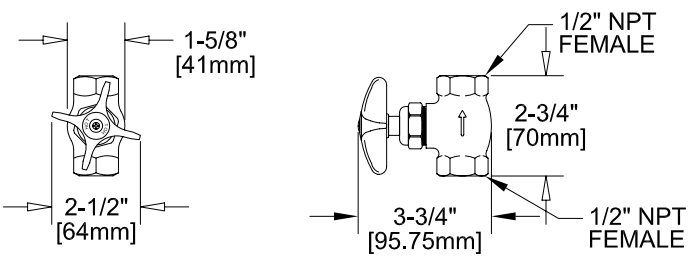
QUANTITY:                      ITEM NO.

MODEL:  
 29475

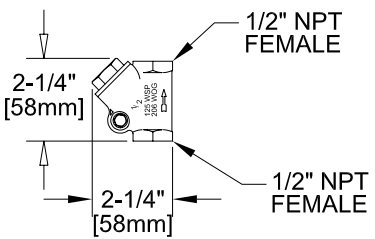
**#14443 - VACUUM BREAKER**



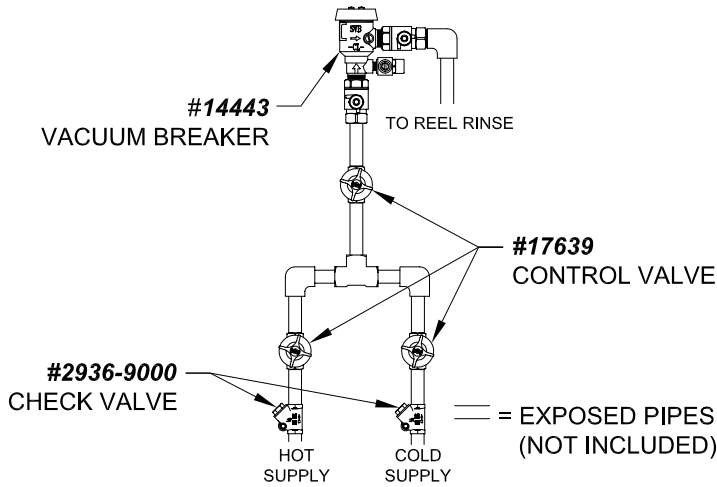
**#17639 - CONTROL VALVE**



**#2936-9000 - CHECK VALVE**



**RECOMMENDED LAYOUT\*\***



OPTIONS OR MODIFICATIONS:  
 OTHER \_\_\_\_\_

**FEATURES**

**KIT INCLUDES THE FOLLOWING**  
 #14443 - VACUUM BREAKER (QTY: 1)  
 #2936-9000 - CHECK VALVE (QTY: 2)

**VACUUM BREAKER**  
 \* ANTI-SPILL DESIGN  
 \* ASSE - 1056 APPROVED

**CONTROL VALVE**  
 \* INTERNAL SPRING LOADED CHECK VALVES  
 \* SWIVELLING SEAT DISKS  
 \* RIGHT HAND SWIVEL STEM WITH CROSS HANDLES  
 \* STAINLESS STEEL SEATS  
 \* STAINLESS STEEL SEAT SCREWS  
 \* STAINLESS STEEL HANDLE SCREWS  
 \* BLUE AND RED INDEX BUTTONS INCLUDED

**CHECK VALVE**  
 \* BRASS BODY  
 \* ALLOWS FLUID FLOW IN 1 DIRECTION ONLY

**SYSTEM LIMITS**  
 \* TEMP: 40°F MIN. TO 140°F MAX.  
 \* PRESSURE: 150 PSI MAX STATIC

**SHIPPING WEIGHT**  
 \* 7.5 LBS

\*\* PIPES, ELBOWS AND TEES NOT INCLUDED