



Profit from the Eagle Advantage®

Specification Sheet

Short Form Specifications

Eagle Economy Hand Sink, model HSAE-10-FA. Constructed of type 304 stainless steel 10" x 14" x 5" deep stainless steel sink bowl, 3½" basket drain with 1½" IPS connection, two mounting brackets, and deck mounted gooseneck faucet. Includes p-trap and tail piece.



#HSAE-10-FA

Options / Accessories

- End splashes
- Side mount wall bracket
- Soap & towel dispenser

Item No.:	_____
Project No.:	_____
S.I.S. No.:	_____

Economical Hand Sink*

MODELS:

- HSAE-10-FA

Design & Construction Features

- Heavy gauge type 304 stainless steel all-welded construction.
- Flared edge along deck and splash.
- Rear features a 4" (102mm)-high backsplash.
- Deck-mounted gooseneck faucet on 4" (102mm) centers.
- Comes with mounting brackets to facilitate wall mount installation.
- 10" x 14" x 5" (254 x 356 x 127mm) sink bowl.
- Corners of backsplash and deck are rounded.
- 3½" (89mm) basket drain with 1½" (38mm) IPS connection.
- P-trap and tail piece included.

* Non-electric. We offer sinks with electric soap dispenser and faucets.

EAGLE GROUP

100 Industrial Boulevard, Clayton, DE 19938-8903 USA
 Phone: 302-653-3000 • 800-441-8440 • Fax: 302-653-2065
www.eaglegrp.com
www.eaglegrpnews.com
www.eaglemhc.com

For custom configuration or fabrication needs, contact our **SpecFAB® Division**.
 Phone: 302-653-3000 • Fax: 302-653-2065 • e-mail: quotes@eaglegrp.com



EG20.37 Rev. 01/23

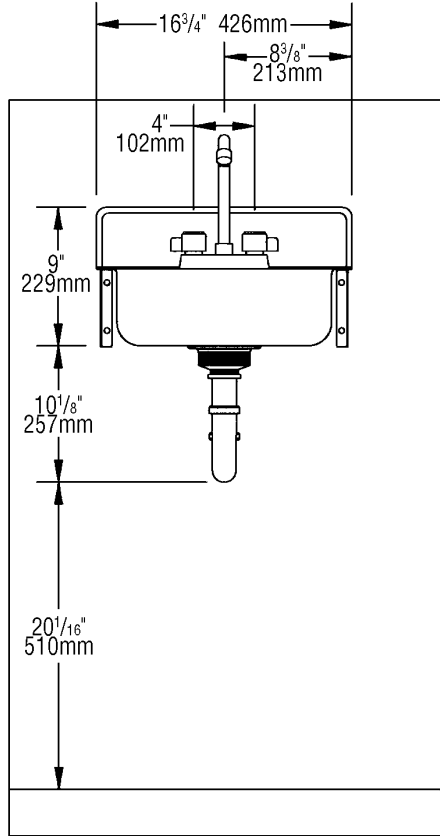
Spec sheets available for viewing, printing or downloading from our online literature library at our websites

Eagle Foodservice Equipment, Eagle MHC, and SpecFAB® are divisions of Eagle Group. ©2023 by the Eagle Group

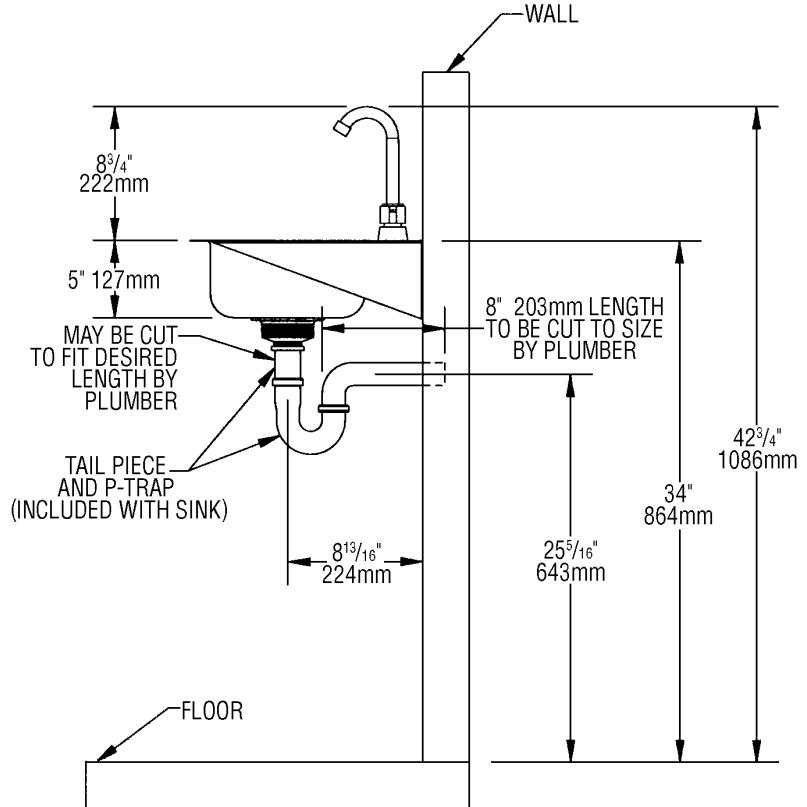


Item No.: _____
 Project No.: _____
 S.I.S. No.: _____

Economical Hand Sink



FRONT VIEW



SIDE VIEW

model #	bowl size		overall size*		weight	
	width in.	length x depth mm	width in.	length x height mm	lbs.	kg
HSAE-10-FA	10"	14" x 5"	254 x 356 x 127	15" x 16 3/4" x 9"	381 x 425 x 229	14 6.4

* Excludes tail piece and p-trap

EAGLE GROUP
 100 Industrial Boulevard, Clayton, DE 19938-8903 USA
 Phone: 302-653-3000 or 800-441-8440 • Fax: 302-653-2065
 www.eaglegrp.com • www.eaglegrpnews.com • www.eaglehmc.com

Printed in U.S.A.
 ©2023 by Eagle Group
 Rev. 01/23

Spec sheets available for viewing, printing or downloading from our online literature library at our websites

Although every attempt has been made to ensure the accuracy of the information provided, we cannot be held responsible for typographical or printing errors. Information and specifications are subject to change without notice. Please confirm at time of order.