

bakeryXpress

Model No.

DXP-FRS Series

FLOOR MODEL REVERSIBLE SHEETER

The doughXpress® DXP-FRS Series Floor Model Reversible Sheeters are perfect for Bakeries, Pastry Shops, Hotels, Restaurants and more. They are suitable for sheeting and stretching Puff Pastry, Danish Bread, Fondant, Donut Dough, Croissants, Pie Crusts, Cookie Dough, Strudel, Marzipan, and Pizza Dough.



Features:

- Constructed of heavy duty steel for extra durability and longevity
- Safety guard on both sides of the rollers which automatically shuts off power to the unit when they are lifted up
- Easy control forward and reverse by a push of a lever
- Adjustable thickness between 1/8" – 2"
- Automatic overload protective prevents motor from damage
- Sides easily fold up to save room when not in use
- Stainless steel rollers
- Heavy duty non-stick scrapers help prevent dough from sticking to the rollers
- Synchronized 2-speed in feed prevents tearing of dough
- Catch pans located on each end of the sheeter
- Limited 1 year warranty



**Due to continuous product improvement, specifications are subject to change without notice.

doughXpress

HIX Corporation Food Division

Product improvement may require us to change specifications without notice.
Revised January 2020

DOUGHXPRESS

1201 E. 27th Terrace
Pittsburg, KS 66762 USA

Toll Free: (800) 835-0606

Tel: (620) 231-8568

Fax: (620) 231-1598

doughxpress@hixcorp.com or visit www.doughxpress.com

bakeryXpress

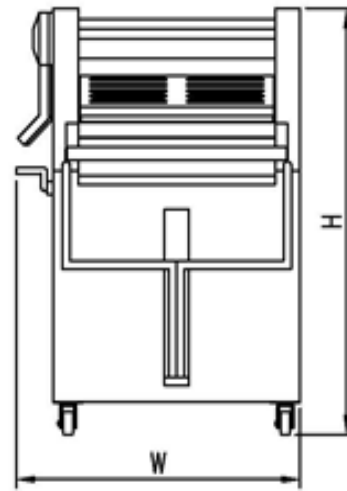
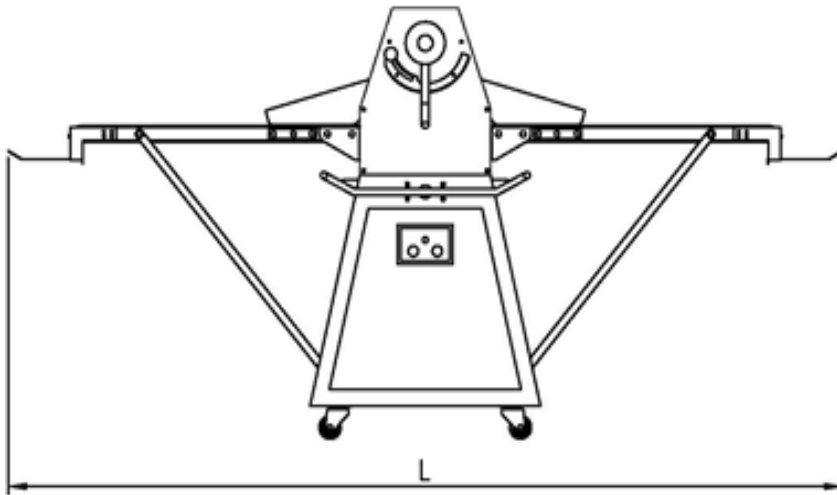
Model No.

DXP-FRS Series

FLOOR MODEL REVERSIBLE SHEETER

Technical Specifications

Model	Exterior Dimensions (WDH)	Electrical	Nema Code	Net Weight
DXP-FRS01	32" x 83" x 44"	220v / 1Ph / 7.8A / 60HZ / 1HP	6-15P	344 lb
DXP-FRS02	36" x 83" x 44"	220v / 1Ph / 7.8A / 60HZ / 1HP	6-15P	388 lb
DXP-FRS03	40" x 99" x 44"	220v / 1Ph / 7.8A / 60HZ / 1HP	6-15P	476 lb



Easily folds to save space when not in use

Model	Belt Dimensions	Roller Size
DXP-FRS01	17"W x 79"L	3.5" x 17.7"
DXP-FRS02	20.5"W x 79"L	3.5" x 20.5"
DXP-FRS03	25"W x 95"L	3.5" x 25.6"

Shipping Specifications

Model	Crated Dimensions (WDH)	Shipping Weight
DXP-FRS01	42" x 32" x 75"	455 lb
DXP-FRS02	42" x 32" x 75"	476 lb
DXP-FRS03	42" x 32" x 82"	557 lb

**Due to continuous product improvement, specifications are subject to change without notice.

doughXpress

HIX Corporation Food Division

Product improvement may require us to change specifications without notice.
Revised January 2020

DOUGHXPRESS

1201 E. 27th Terrace
Pittsburg, KS 66762 USA

Toll Free: (800) 835-0606

Tel: (620) 231-8568

Fax: (620) 231-1598

doughxpress@hixcorp.com or visit www.doughxpress.com