

"CB1053" CARVING COLLECTION

Ultimate Carving Board - 2 1/4" Thick - Reversible w/Pyramid Grips & S.S. Pan

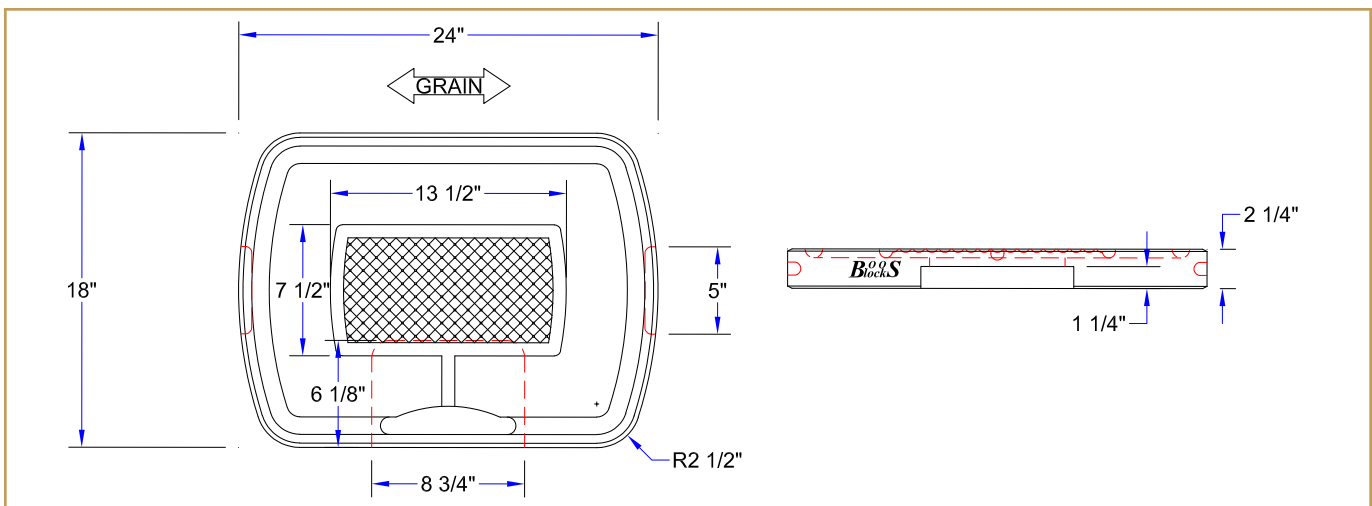
FEATURES:

- Northern Hard Rock Maple, 2-14" Thick
- Edge Grain Construction
- Pyramid Grips Designed To Stabilize Meat During Carving
- Sloped Juice Grooves W/Stainless Steel Pan
- Reversible
- Oil Finish

CERTIFICATIONS:



CB1053-1M2418225



"CB1053" WOOD CUTTING BOARD

MODEL	SIZE (L X W X H)	WT. (LBS)
CB1053-1M2418225	24"x18"x2-1/4"	31

ALL DIMENSIONS ARE TYPICAL. TOLERANCE +/- .125". JOHN BOOS & CO. RESERVES THE RIGHT TO CHANGE SPECIFICATIONS WITHOUT NOTICE.