

Item # _____

Qty # _____

Model # _____

Project # _____



DUKERS

Quality Commercial Refrigeration



HOT PLATE TWO BURNER DCHPA12



Catch Tray



Surface



Legs



PRODUCT DESCRIPTION

- Stainless steel exterior and interior.
- 32,000 BTU stainless steel burners with standby pilot.
- Lift-off cast iron burner.
- Independent manual controls every 12".
- "Cool-to-the-touch" front s/s edge.
- Each hot plate is shipped with Standard Natural Gas, LP conversion kit.
- Adjustable, stainless steel legs standard.
- Full length seamless drip pan, easy to remove and clean.



HIGH QUALITY STAINLESS STEEL & ROBUST DESIGN

| HOT PLATE MODEL | DIMENSION | | |
|--------------------|-----------|-----------|-----------|
| | Width | Depth | Height |
| DCHPA12 | 12 in | 28 3/4 in | 13 3/8 in |



Los Angeles | San Francisco | Dallas
Houston | Florida | Chicago | New Jersey

1-800-931-8628

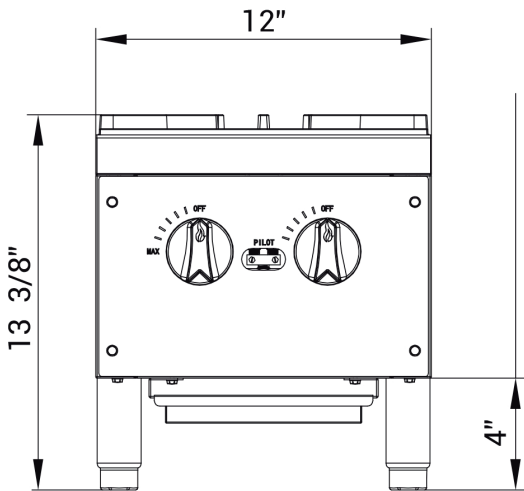
@ info@dukersusa.com

www.DukersUSA.com

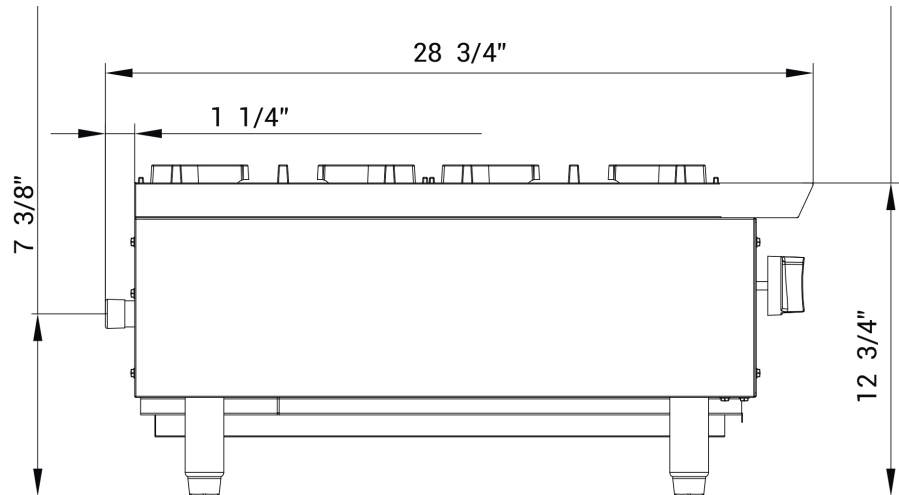
DETAILS & SPECIFICATIONS

HOT PLATE DCHPA12

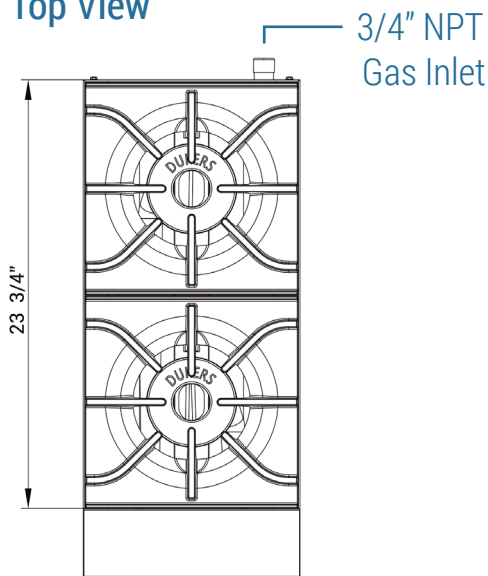
Front View



Side View



Top View



DCHPA12

| | |
|-------------------|------------------------------|
| GAS SOURCE | NG/Propane |
| WORK AREA | 11.81x23.62in |
| BURNER | 2 count |
| SINGLE BURNER | 32,000 BTU/H |
| COMBINED | 64,000 BTU/H |
| GAS PRESSURE | NG: 4 "WC Propane: 10 "WC |
| NOZZEL | NG: 40# Propane: 52# |
| CONTAINER FITMENT | 480 |



| Model | Packaging Dimensions (inches) | | | Net Weight (lbs) | Ship Weight (lbs) |
|---------|-------------------------------|---------|---------|------------------|-------------------|
| | W | D | H | | |
| DCHPA12 | 14 1/8" | 32 5/8" | 17 3/4" | 66.14 | 88.18 |



Los Angeles | San Francisco | Dallas
Houston | Florida | Chicago | New Jersey

1-800-931-8628

@ info@dukersusa.com

www.DukersUSA.com