

TECHNICAL DATA

Dimensions

Exterior Dimensions (WxDxH)	95.25" x 26.75" x 34.25"
Interior Dimensions (WxDxH)	92" x 23" x 26.25"
Net Volume (cu. ft.)	
Gross Weight	430lb
Packaging Dimensions (WxDxH)	101" x 33" x 41.75"
Electrical Cord Length	
Capacity	27.5 cu. ft.
# 12 oz. Bottle Cases	37.5
# 12 oz. Can Cases	55

Construction

Exterior Material	Stainless Steel Top, Black Vinyl Finish
Insulation Material	
Shelf Material	Coated steel
Shelf Load Capacity	

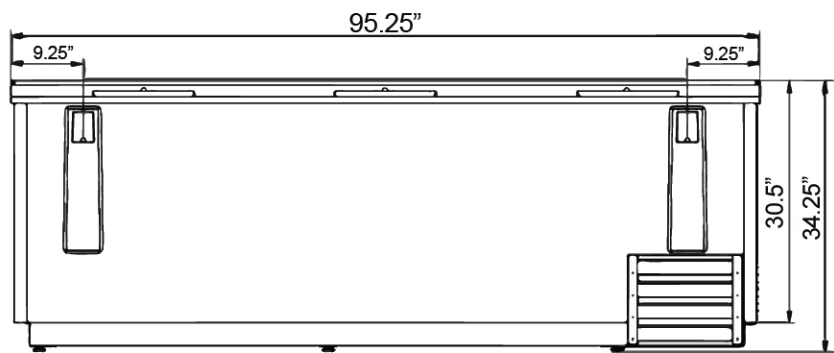
Cooling

Temperature Range	33° - 40° F
Refrigerant	R290
Maximum Ambient Temp	90° F
Maximum Humidity	65%
Defrosting	Automatic
Cooling System	
Temperature Display	
Temperature Controller	Electronic
H/P	1/4+

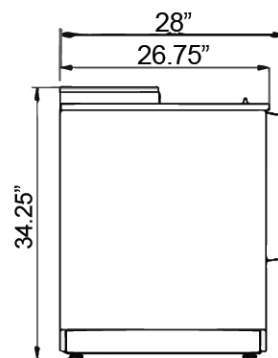
Electrical

Voltage	115/60/1
Amps	4.2

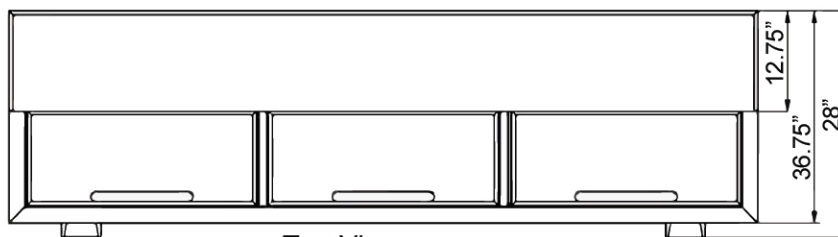
PLAN VIEW



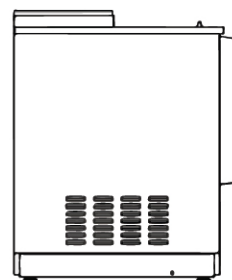
Front View



Side Views

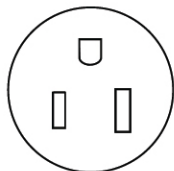


Top View



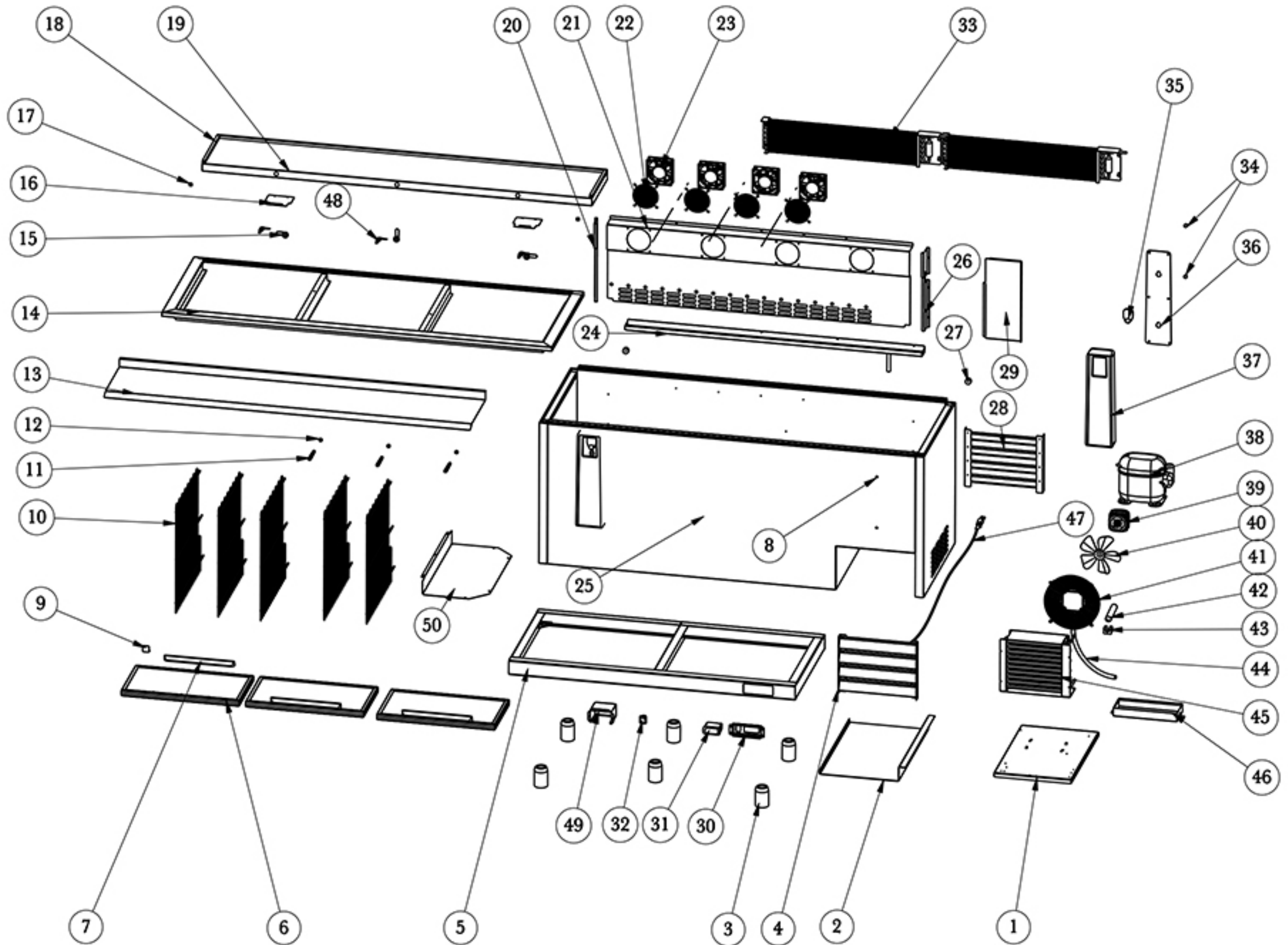
Intertek

COMPLIES WITH ANSI/NSF 7
FOR FOOD SERVICE



NEMA 5-15P

SBC-95



NO.	Part Name	Factory Part NO.	QTY
1	COMPRESSOR UNIT INSTALLATION BOARD		1
2	BASE BOARD		1
3	LEVELING FEET	12534030002	7
4	FRONT GRILL		1
5	CABINET BASE		1
6	DOOR		3
7	DOOR HANDLE	16337030002	3
8	DOOR GASKET		3
9	DOOR LIMIT BLOCK		3
10	SHELF	12502015555	5
11	SHELF SPRING	12556010001	5
12	SHELF CAP	16353030001	84
13	PANEL UNDER TABLE		1
14	UNDER TABLE COMPONENT		1
15	LOCK	12546100952	3
16	BASE BOARD FOR LOCK		3
17	DECORATION COVER	16351040001	2
18	DECORATION STRIP		1
19	TOP BOARD		2
20	LEFT SUPPORT FOR EVAPORATOR COVER		1
21	EVAPORATOR COVER		1
22	EVAPORATOR FAN MOTOR COVER	12504050115	4
23	EVAPORATOR FAN MOTOR	1003001114715	4
24	INNER DRAIN PAN		1
25	CABINET		1
26	RIGHT SUPPORT FOR EVAPORATOR COVER		1
27	BACK LIMIT BLOCK	16363120001	2
28	BACK GRILL		1
29	INNER BAFFLE		1
30	THERMOSTAT INSTALLATION COVER		1
31	THERMOSTAT	17505180005	1
32	POWER SWITCH	17749211297	1
33	EVAPORATOR	17402060701	1
34	SCREW FOR BOTTLE OPENER COMPONENT	12408096010	4
35	BOTTLE OPENER	16342420050	2
36	BOTTLE OPERER BOARD		2
37	BOTTLE OPENER COVER	16342420001	2
38	COMPRESSOR	17202163125	1
39	CONDENSER FAN MOTOR	22752520004	1

40	CONDENSER FAN BLADE	16381738122	1
41	CONDENSER FAN MOTOR COVER	22726010003	1
42	FILTER	17111250198	1
43	FILTER FIXER	16369690257	1
44	DRAIN TUBE	15818180020	1
45	CONDENSER	17304100262	1
46	OUTER DRAIN PAN	16316130006	1
47	POWER CORD	17664640051	1
48	KEY	12546310002	3
49	THERMOSTAT WATER PROOF COVER	16351170004	1
50	THERMOSTAT BAFFLE		1