



# T&S BRASS AND BRONZE WORKS, INC.

2 Saddleback Cove / P.O. Box 1088  
Travelers Rest, SC 29690

Model No.

**MPZ-8DCN-08**

Item No.

Travelers Rest, SC: 800-476-4103 • Simi Valley, CA: 800-423-0150 • Fax: 864-834-3518 • www.tsbrass.com

This Space for Architect/Engineer Approval

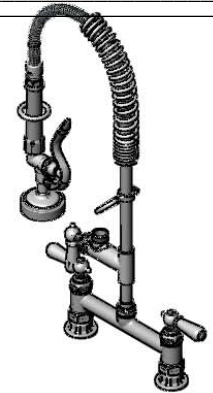
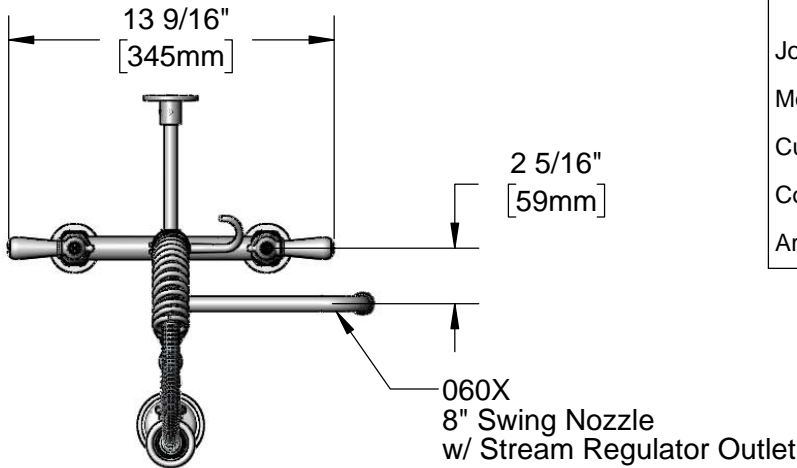
Job Name \_\_\_\_\_ Date \_\_\_\_\_

Model Specified \_\_\_\_\_ Quantity \_\_\_\_\_

Customer/Wholesaler \_\_\_\_\_

Contractor \_\_\_\_\_

Architect/Engineer \_\_\_\_\_



24" Flexible Stainless Steel Hose w/ Spring & Spray Valve

Items Not Shown For Clarity

3/8" NPT x 8" Riser

5 1/4" [134mm]

8" [203mm]  
Adjustable From 7 3/4" to 8 1/4" [197mm to 210mm]

B-0107 1.42 GPM Spray Valve

10 1/16" [255mm]

Quarter-Turn Eterna Cartridges w/ Spring Checks & Club Handles

7 9/16" [192mm]

Mounting Surface

B-0109-01 6" Wall Bracket

24 9/16" [624mm]

Finger Hook

EasyInstall Add-On Faucet w/ Eterna Cartridge & Club Handle

Ø2" [51mm] Flanges w/ 1/2" NPT Female Inlets

**Product Specifications:**

Pre-Rinse Unit: EasyInstall 8" Deck Mount Mixing Faucet, Quarter-Turn Eterna Cartridges w/ Spring Checks, Club Handles, Add-On Faucet w/ 8" Swing Nozzle, Compact Spring, 24" Flexible Stainless Steel Hose, 1.42 GPM Spray Valve, 6" Wall Bracket & 1/2" NPT Female Inlets

**Product Compliance:**

ASME A112.18.1 / CSA B125.1  
NSF 61 - Section 9  
NSF 372 (Low Lead Content)  
EPA Act 2005 (PRSV)  
For Commercial Use Only



# T&S BRASS AND BRONZE WORKS, INC.

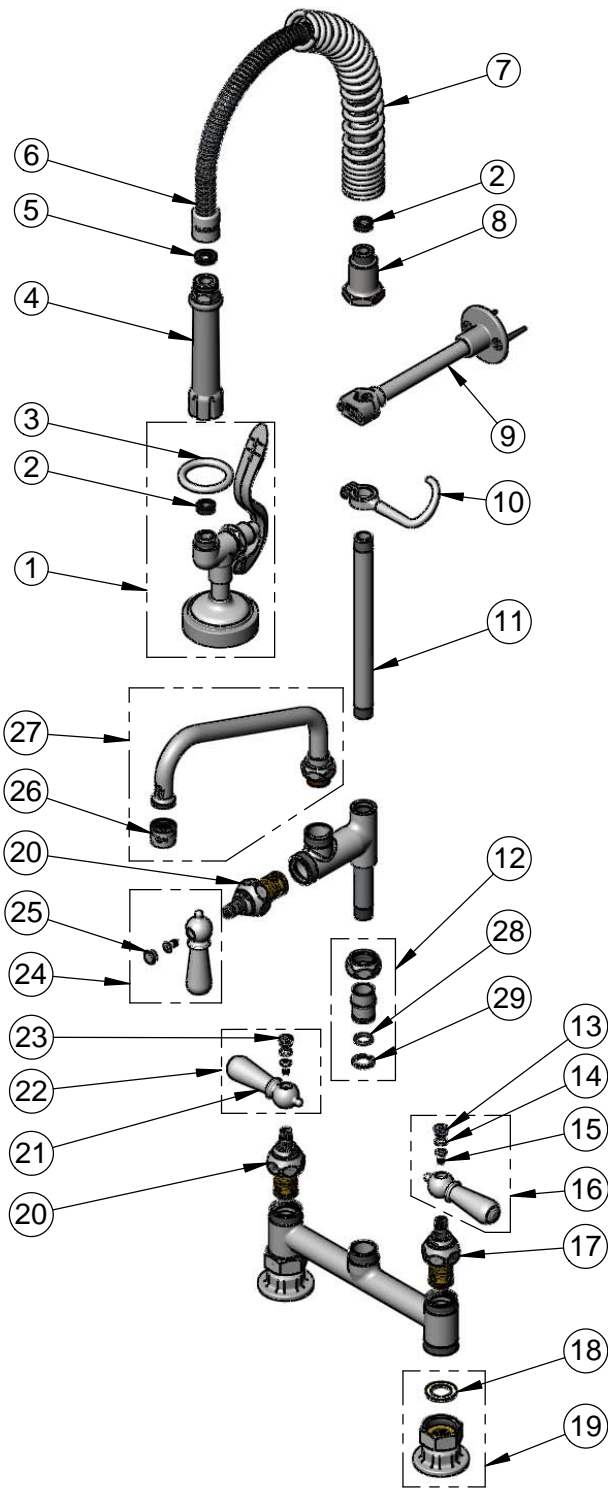
2 Saddleback Cove / P.O. Box 1088  
Travelers Rest, SC 29690

Model No.

**MPZ-8DCN-08**

Item No.

Travelers Rest, SC: 800-476-4103 • Simi Valley, CA: 800-423-0150 • Fax: 864-834-3518 • www.tsbrass.com



ITEM NO.	SALES NO.	DESCRIPTION
1	B-0107	1.42 GPM Spray Valve
2	010476-45	#27 Washer
3	000907-45	Spray Valve Hold Down Ring
4	002987-40	Grip Handle
5	001014-45	Washer, B-0100 Hose Barrel
6	B-0024-H2A	24" Flexible Stainless Steel Hose, Less Handle
7	016795-45	Compact Spring
8	000821-40	Spring Body
9	B-0109-01	6" Wall Bracket
10	004R	Finger Hook
11	078X	3/8" NPT x 8" Riser
12	EZ-K	EasyInstall Kit
13	009304-41	Decorative Cap Insert, Cold
14	001066-45	O-Ring
15	000922-45	Lever Handle Screw
16	009331-41	Decorative Club Handle, Cold
17	012442-40NS	Quarter-Turn Eterna Cartridge w/ Spring Check, LTC
18	001019-45	Coupling Nut Washer
19	00AA	1/2" NPT Female Eccentric Flange
20	012443-40NS	Quarter-Turn Eterna Cartridge w/ Spring Check, RTC
21	017229-45	Decorative Club Handle
22	009332-41	Decorative Club Handle, Hot
23	009303-41	Decorative Cap Insert, Hot
24	017181-41	Decorative Club Hand, Blank
25	009285-40	Cap Insert Blank
26	B-PT	Full Flow Stream Regulator, 55/64-27
27	060X	8" Swing Nozzle
28	001065-45	O-Ring
29	014200-45	Star Washer, Anti-Rotation

**Product Specifications:**

Pre-Rinse Unit: EasyInstall 8" Deck Mount Mixing Faucet, Quarter-Turn Eterna Cartridges w/ Spring Checks, Club Handles, Add-On Faucet w/ 8" Swing Nozzle, Compact Spring, 24" Flexible Stainless Steel Hose, 1.42 GPM Spray Valve, 6" Wall Bracket & 1/2" NPT Female Inlets

**Product Compliance:**

ASME A112.18.1 / CSA B125.1  
NSF 61 - Section 9  
NSF 372 (Low Lead Content)  
EPA Act 2005 (PRSV)  
For Commercial Use Only