



Your Solutions Partner

Specifications

F.O.B. Sedalia, Missouri 65301



613-G1

OPTIONS:

- Stainless steel interior
- 27" stainless steel angular legs
- Stainless steel back enclosure panel
- Seismic feet
- Field stacking kit
- Common gas manifold
- 48" flexible disconnect, w/restraining device
- Down draft hood
- Flue deflector
- Casters
- Extra oven racks
- Prison package—tamper proof screws, lexan hinged cover with lockable clasp
- Extended warranty

Approval Stamp(s):

PRODUCT INFORMATION:

PROJECT: _____

ITEM: _____

QUANTITY: _____

MODEL:

Duke Convection Ovens Single Deck—Standard Depth—Gas

- 613-G1 Single deck, standard depth

STANDARD FEATURES

- 6 racks/13 rack positions
- Porcelain interior finish
- 65/35 stainless steel dependent doors - chain driven
- Double pane glass in 65 door
- 27" angular painted legs/adjustable feet
- 2 speed fan

OVEN SECTION

- Stainless steel front, sides and top
- 1 ½" insulation on bottom, sides and back
- 3" insulation on top
- Interior Lights

BURNER SYSTEM

- 40,000 BTU
- High output atmospheric burner system
- Main gas shut off valve
- Built-in gas regulator

OVEN CONTROLS

- "V"—Basic snap action thermostat (200°-500°F), 60 minute electric dial timer with continuous sound buzzer, 2-speed fan
- "XX"—Solid state digital time and temperature controls, 12-hour countdown timer, **Cook and Hold** feature, 2-speed fan, Pulse fan capability

DUKE MANUFACTURING CO.
 2305 N. Broadway
 St. Louis, MO 63102
 800.735.3853 Toll Free
 314.231.5074 Fax
 www.dukemfg.com
 SS-1070-613 G1-Single-Gas

Certifications



Specification subject to change

 **WARNING** For CA residents: go to www.dukemfg.com/prop65 for prop 65 warning

REV D 06/15/2022

DUKE CONVECTION OVENS - SINGLE - STANDARD DEPTH - GAS

Catalog No. DCO-GSINGST

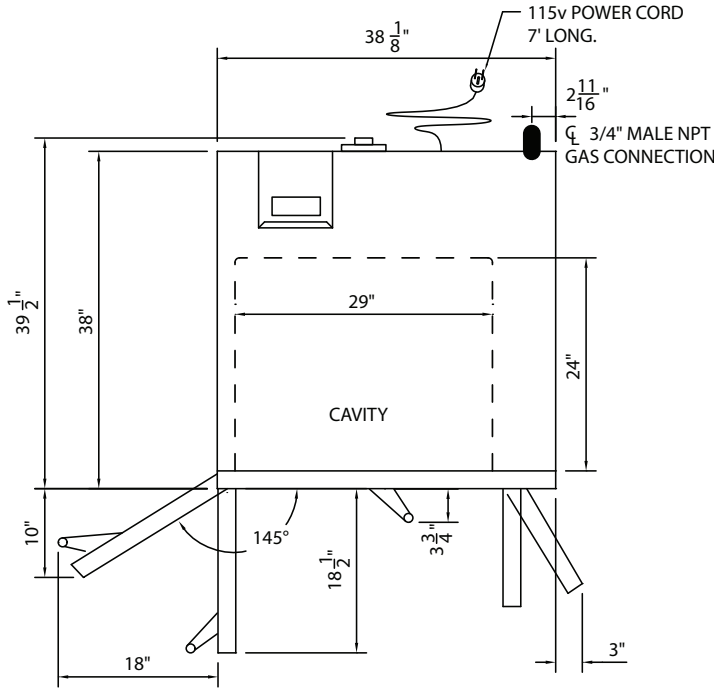
A.I.A. File No. 35-C-13

DUKE CONVECTION OVENS

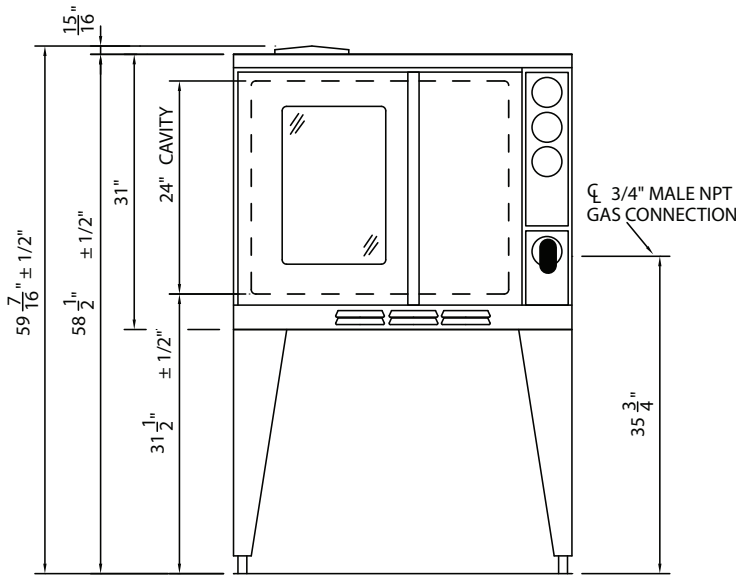
SINGLE DECK—GAS—STANDARD DEPTH

A.I.A. File No. 35-C-13

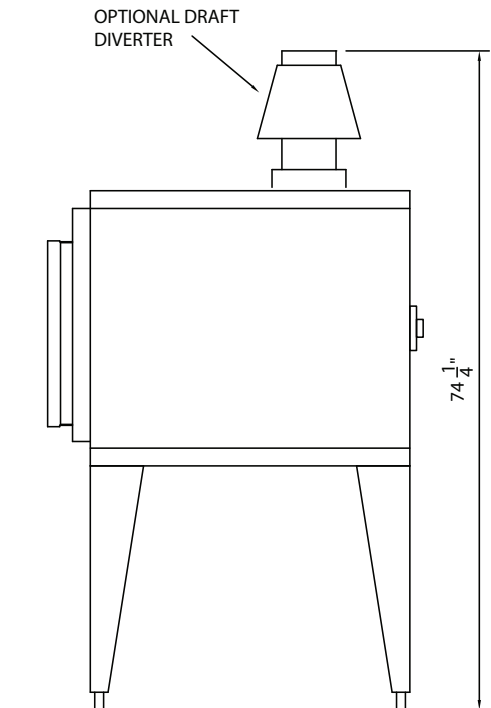
Catalog No. DCO-GSINGST



TOP VIEW



FRONT VIEW



RIGHT SIDE VIEW

| Gas Specifications | | |
|--|-----------------|--------|
| 613-G1 | BTU/Hour | 40,000 |
| Regulated gas pressure required 3.5"WC natural /10" WC propane | | |
| Combustible surface clearance - 1" side, 1" rear, 6" floor | | |
| ● Gas connection | | |
| 3/4" Gas connection | | |
| Electrical requirements: 3.5 Amps/ 115V | | |
| Standard 115V units supplied with 5' cord and plug | | |

Specify gas type
Specify altitude over 2000 feet

DUKE CONVECTION OVENS- SINGLE - STANDARD DEPTH - GAS

DIMENSIONS:

| Model | Height | | Width | | Depth | | Cube ft. crated | Weight | |
|---------------|--------|-------|-------|------|--------|-------|-----------------|--------|-------|
| | in. | cm | in. | cm | in. | cm | | lbs. | kg |
| E101-G | 60 | 152.4 | 38 | 96.5 | 39 1/2 | 100.3 | 59.6 | 505 | 230.0 |

Freight Class: 85



Duke Manufacturing Co.
2305 N. Broadway
St. Louis, MO 63102

Phone: 314-231-1130
Toll Free: 1-800-735-3853
Fax: 314-231-5074

www.dukemfg.com