

APPLICATION:

JOB NAME:

QUANTITY: ITEM NO.

PRODUCT NAME:
 SS SINGLE PEDAL CONTROL VALVE WALL MOUNT

SPECIAL CONFIGURATION
 CHECK BASE MODEL AND OPTIONS

MODEL:
 48062

OPTIONS OR MODIFICATIONS:

SUPPLY LINES (24" OR 36") CIRCLE LENGTH

NIPPLES

ELBOWS

HANDLES (CROSS OR WRIST) CIRCLE STYLE

VANDAL RESISTANT KIT

OTHER _____

FEATURES

- * PEDAL ANODIZED ALUMINUM
- * CYLINDER CLOSSES WITH WATER FLOW
- * POLISHED STAINLESS STEEL

RECOMMENDED SETTINGS

- * 110°F AT 80 PSI

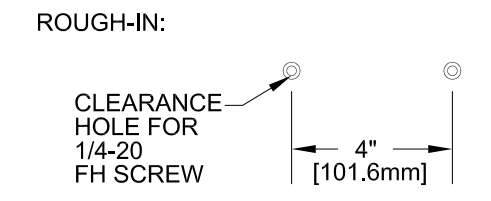
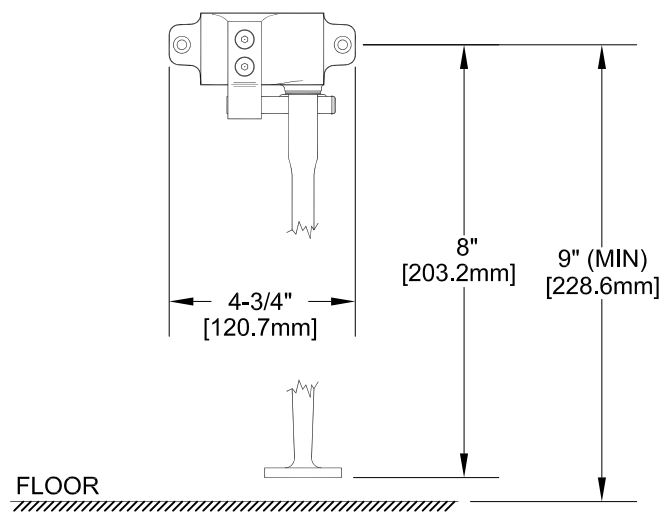
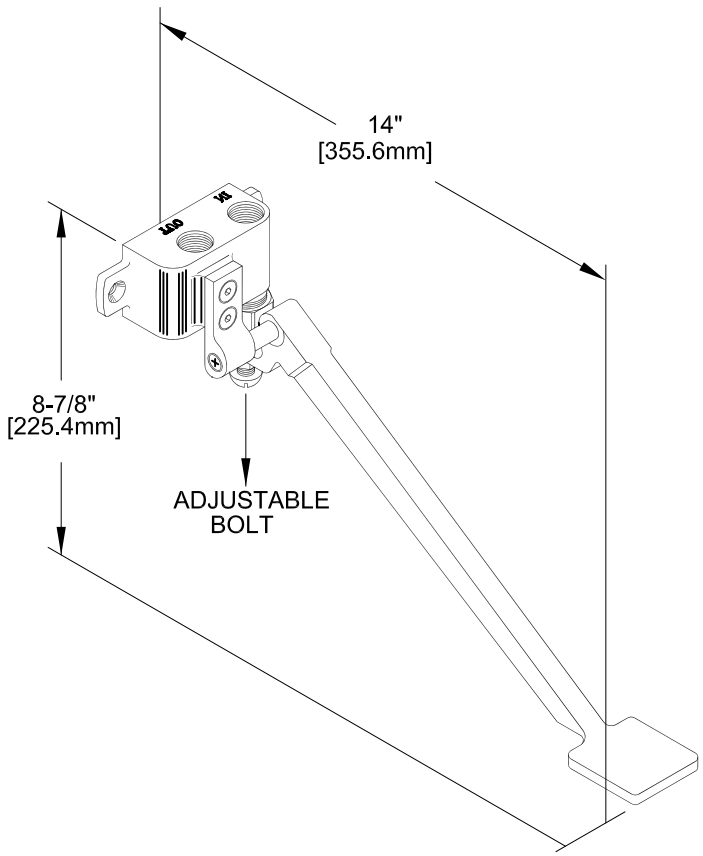
SYSTEM LIMITS

- * TEMP: 40°F MIN. TO 140°F MAX.
- * PRESSURE 200 PSI MAX. STATIC

SHIPPING WEIGHT

- * 3.5 LBS

* NSF 61-9 APPROVED & LISTED
www.truesdail.com



ANSI/A112.18.1M

FISHER

FISHER MANUFACTURING COMPANY
 TOLL FREE: 800-421-6162 - FAX: 800-832-8238
information@fisher-mfg.com - www.fisher-mfg.com