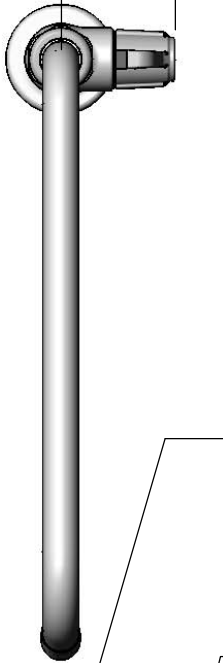


2 3/8"
[60mm]



ADA Compliant

This Space for Architect/Engineer Approval

Job Name _____ Date _____

Model Specified _____ Quantity _____

Customer/Wholesaler _____

Contractor _____

Architect/Engineer _____



5SP-12A
12" equip Swing Nozzle
w/ 2.2 GPM Aerator.
Rigid Conversion Requires
014200-45 Lock Washer
(Included)

Quarter-Turn Ceramic
Cartridge & equip
Lever Handle

1 5/8"
[41mm]
Maximum
Thickness

Mounting Surface

12 1/8"
[309mm]

9 7/16"
[240mm]

6 15/16"
[176mm]

2 7/16"
[62mm]

1/2" NPSM
Male Inlet

Ø 2 5/16"
[58mm]

Rough-In Requirement:
Ø 1" [25mm] Mounting Hole

Model Number

5F-1SLX12A

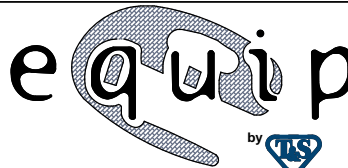
Product Specifications:

Single Supply Deck Mount Faucet, Quarter-Turn Ceramic
Cartridge, equip Lever Handle, 12" equip Swing Nozzle,
2.2 GPM Aerator & 1/2" NPSM Male Inlet

Product Compliance:

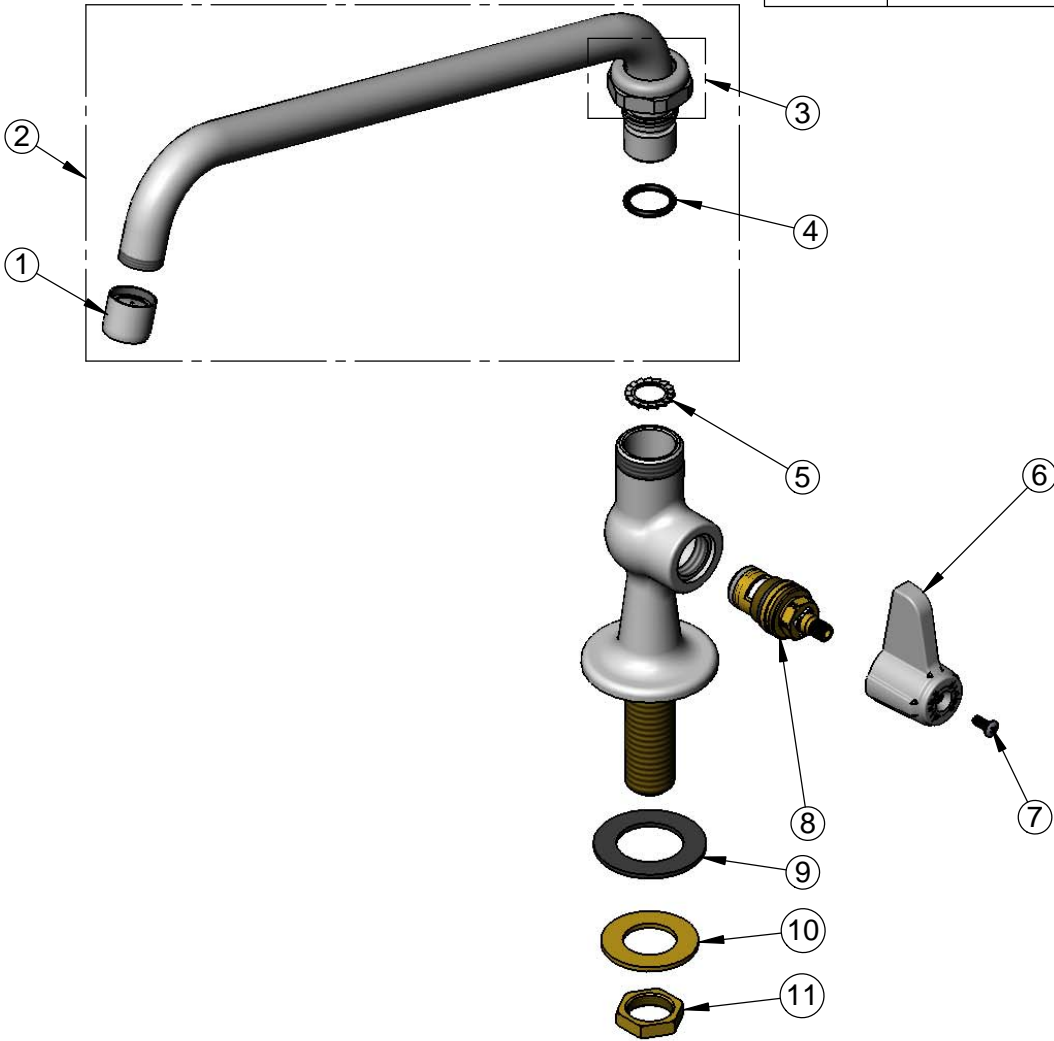
ASME A112.18.1 / CSA B125.1
NSF 61 - Section 9
NSF 372 (Low Lead Content)
ANSI A117.1 (ADA)

equip
Foodservice
Accessories



2 Saddleback Cove, P.O. Box 1088
Travelers Rest, South Carolina 29690
Phone: 800.891.4808 Fax: 800.868.0084
equip.tsbrass.com

| ITEM NO. | SALES NO. | DESCRIPTION |
|----------|-----------|---|
| 1 | 013838-45 | 2.2 GPM Aerator, 3/4-27 UN Female |
| 2 | 5SP-12A | 12" equip Swing Nozzle |
| 3 | 013839-25 | equip Swivel Nut |
| 4 | 013848-45 | equip Swivel Piece O-Ring |
| 5 | 014200-45 | Star Washer, Anti-Rotation |
| 6 | 5-HDL-L | equip Lever Handle w/ Color Coded Screws |
| 7 | 013849-45 | Handle Screw (10) |
| 8 | 013787-45 | equip Quarter-Turn Ceramic Cartridge, RTC |
| 9 | 014612-45 | Deck Seal |
| 10 | 000999-45 | Brass Lock Washer |
| 11 | 002954-45 | Shank Lock Nut |



Model Number
5F-1SLX12A

Product Specifications:
Single Supply Deck Mount Faucet, Quarter-Turn Ceramic Cartridge, equip Lever Handle, 12" equip Swing Nozzle, 2.2 GPM Aerator & 1/2" NPSM Male Inlet

Product Compliance:
ASME A112.18.1 / CSA B125.1
NSF 61 - Section 9
NSF 372 (Low Lead Content)
ANSI A117.1 (ADA)

equip Foodservice Accessories



2 Saddleback Cove, P.O. Box 1088
Travelers Rest, South Carolina 29690
Phone: 800.891.4808 Fax: 800.868.0084
equip.tsbrass.com