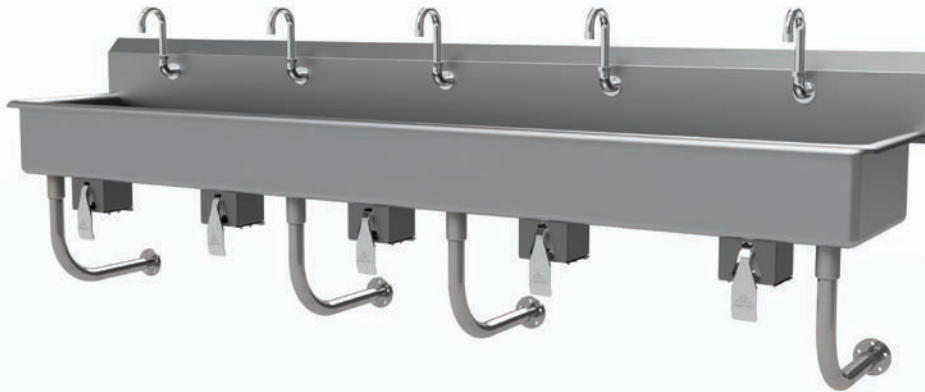




14 GAUGE STAINLESS STEEL

# FIVE STATION WALL MOUNTED SINK WITH TUBULAR SUPPORTS

## KNEE OPERATED



Item #: \_\_\_\_\_ Qty #: \_\_\_\_\_  
 Model #: \_\_\_\_\_  
 Project #: \_\_\_\_\_



Knee Valves Included On All "KV" Models



### FEATURES:

- 8 1/2" high backsplash.
- 8" sink bowl depth.
- Three stainless steel "Z" brackets supplied each unit.
- Two **K-6** 3 1/2" rear basket drains.
- Four tubular stainless steel support brackets that allow full clearance underneath.

**Knee Operated:** Includes five **7-PS-32** knee valves and five **K-121** spouts.

### CONSTRUCTION:

- All TIG welded.
- Welded areas blended to match adjacent surfaces and to a satin finish.
- Die formed tubular wall brackets.

### MATERIAL:

- All 14 gauge type "304" stainless steel.
- 1 5/8" tubular "304" stainless steel wall brackets.
- Stainless steel gussets.

### MECHANICAL:

- Single faucet hole punch at each station.

| Model #     | Length | # of Spouts | # of Wall Supports | Wt.      | Cu. Ft. |
|-------------|--------|-------------|--------------------|----------|---------|
| FS-WM-100KV | 100"   | 5           | 4                  | 192 Lbs. | 35      |

[Click Here For Install Guide](#)



## MULTI-STATION ACCESSORIES & REPLACEMENT PARTS

| Model | Description   | QTY:  |
|-------|---|-------|
| K-6   | 3 1/2" Drain (1 1/2" I.P.S.)  | _____ |
| K-06  | Splash Mount Faucet Mounting Kit                                      | _____ |
| K-13  | Stainless Steel Soap Dispenser (Wall Mount Only)                      | _____ |
| K-175 | Single Hole, Splash Mounted 3-1/2" Electronic Faucet                  | _____ |
| K-411 | Strainer Plate for 3-1/2" Drain                                       | _____ |
| K-508 | Special Sizing Charge ( <i>Larger Size Cut Down To Smaller Size</i> ) | _____ |
| TA-19 | Adjustable Stainless Steel Wall Mount Flange                          | _____ |



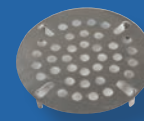
K-175



K-13



K-6



K-411



K-06

= Ships UPS

Standard Faucets conform to NSF 61 Standard 9 and compliance to AB 1953 Standards.

**WARNING:** Equipment that include faucets on this page may contain a chemical known to the State of California to cause cancer, birth defects or other reproductive harm.



Customer Service Available To Assist You **1-800-645-3166** 8:30 am - 7:00 pm E.S.T.

For Orders & Customer Service:

Email: [customer@advancetabco.com](mailto:customer@advancetabco.com) or Fax: 631-242-6900

For Smart Fabrication™ Quotes:

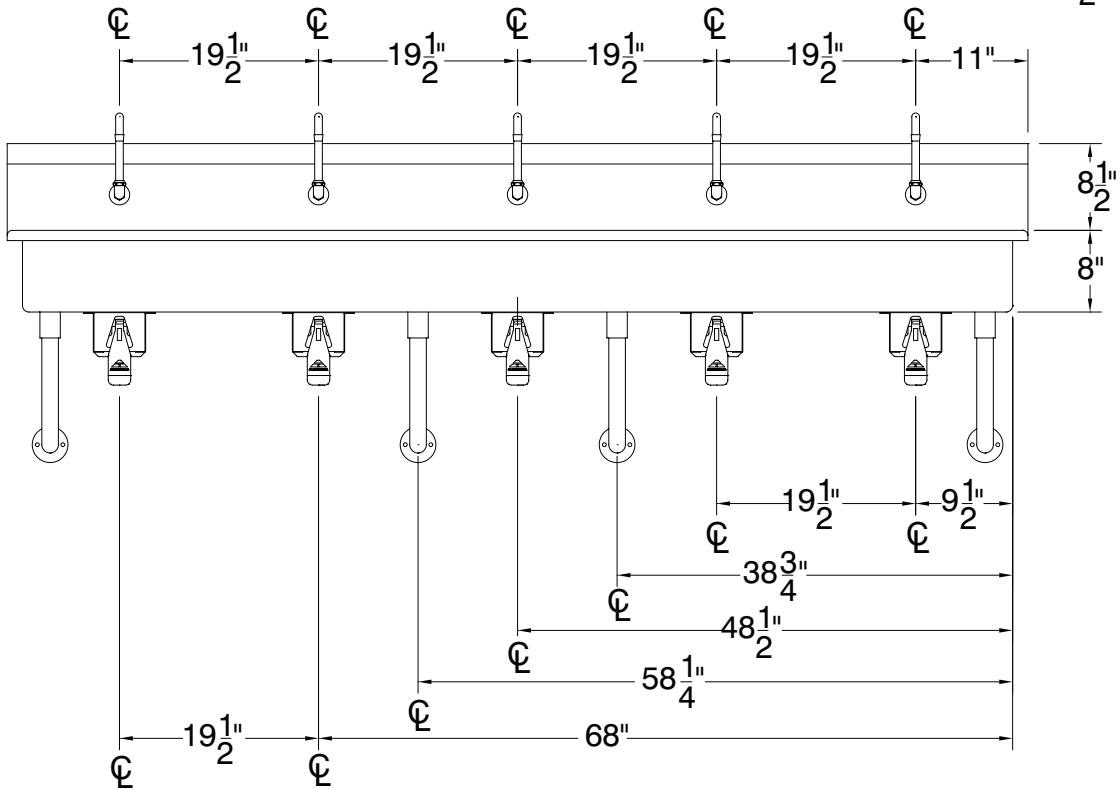
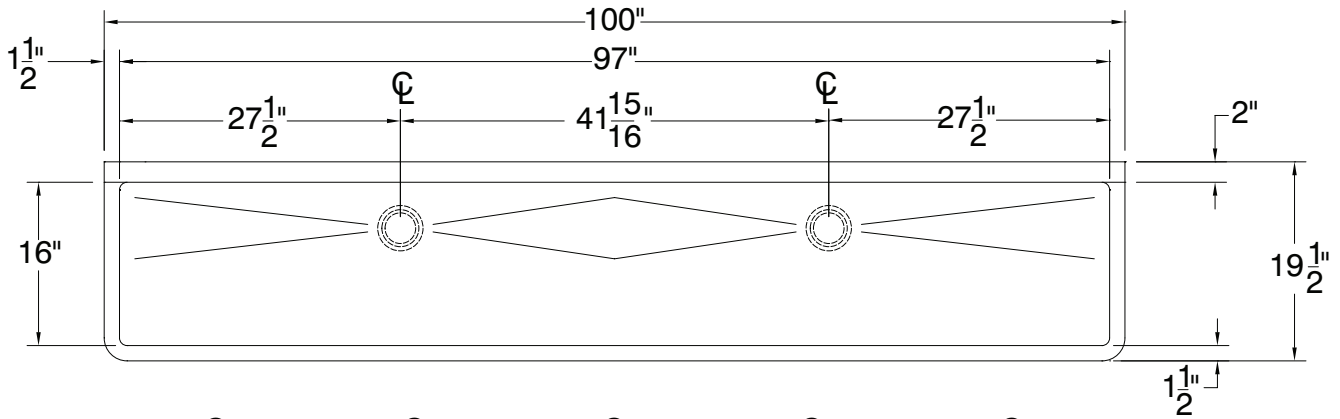
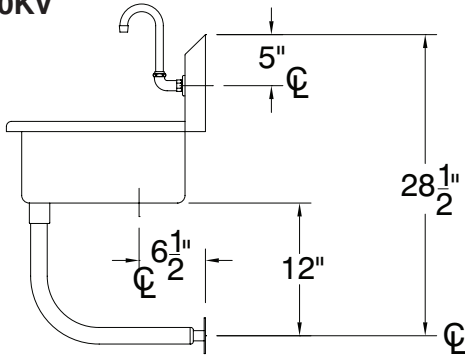
Email: [smartfab@advancetabco.com](mailto:smartfab@advancetabco.com) or Fax: 631-586-2933

# DETAILS and SPECIFICATIONS

TOL ± .500"

ALL DIMENSIONS ARE TYPICAL

FS-WM-100KV



192 Lbs.

