

"BBSS" CUCINA AMERICANA COLLECTION

Stainless Steel Cucina Classico

FEATURES:

- 16GA 300 Series Stainless Steel
- Polished Bullnose Corners & Edges
- Stainless Steel Legs & Center Bracing
- Adjustable Bullet Feet
- Shipped Knocked Down

CERTIFICATIONS:



ACCESSORIES

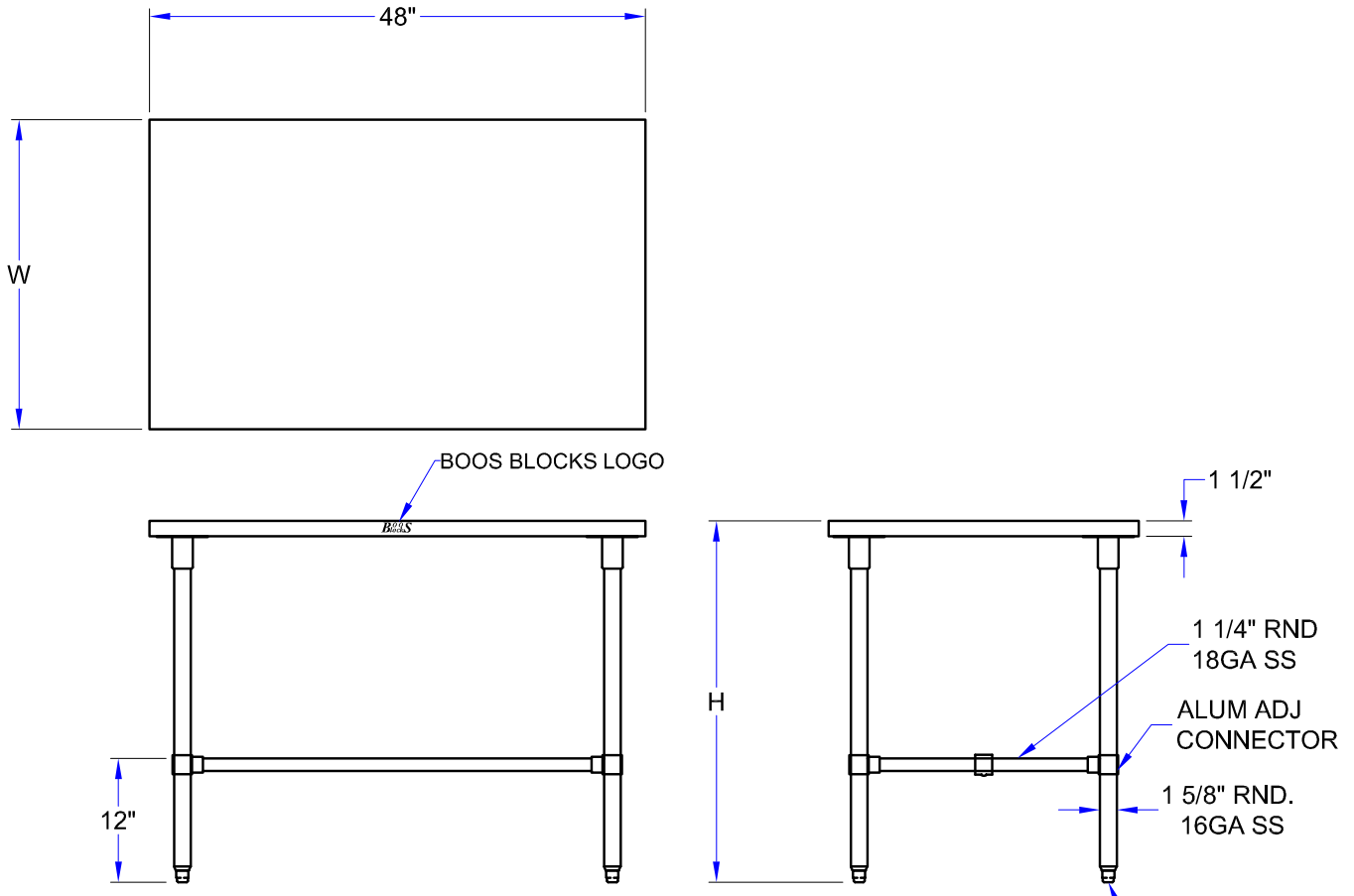
MODEL	DESCRIPTION
CAS01-R	Set Of 4 - 5" Locking Casters

"BBSS" CUCINA CLASSICO

MODEL	SIZE (L X W X H)	OVERALL HEIGHT	WT. (LBS)
BBSS4824	48"x24"x1-1/2"	35"	54
BBSS4830	48"x30"x1-1/2"	35"	60
BBSS4824-40	48"x24"x1-1/2"	40"	56
BBSS4830-40	48"x30"x1-1/2"	40"	62

ALL DIMENSIONS ARE TYPICAL. TOLERANCE +/- .500". JOHN BOOS & CO. RESERVES THE RIGHT TO CHANGE SPECIFICATIONS WITHOUT NOTICE.

DETAILED SPECIFICATIONS



"BBSS" CUCINA CLASSICO

MODEL	SIZE (L X W X H)	OVERALL HEIGHT	WT. (LBS)
BBSS4824	48"x24"x1-1/2"	35"	54
BBSS4830	48"x30"x1-1/2"	35"	60
BBSS4824-40	48"x24"x1-1/2"	40"	56
BBSS4830-40	48"x30"x1-1/2"	40"	62

ALL DIMENSIONS ARE TYPICAL. TOLERANCE +/- .500". JOHN BOOS & CO. RESERVES THE RIGHT TO CHANGE SPECIFICATIONS WITHOUT NOTICE.