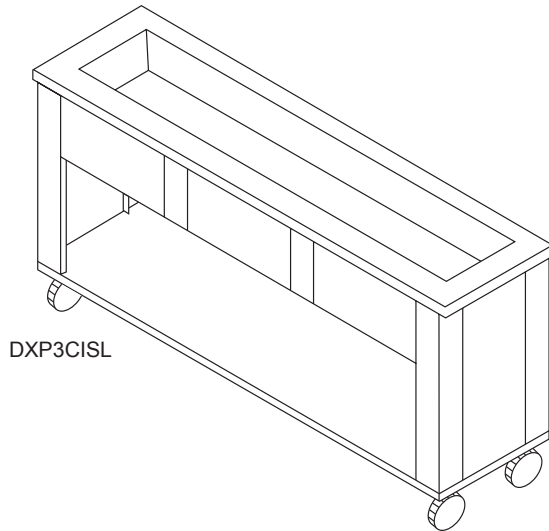


DINEXPRESS SLIMLINE COLD FOOD COUNTERS – MECHANICALLY OR ICE REFRIGERATED

Compliant with
NSF/ANSI Standard 2



Item Numbers

Mechanically Cooled
DXP2CMSL
DXP3CMSL

Ice Cooled
DXP2CISL
DXP3CISL

The DineXpress Slimline Cold unit is available mechanically cooled (CMSL) or ice only (CISL). The versatile modular design allows you to customize your tray make-up line, choosing only the options and accessories that you want and need.

Standard Features

- 14-gauge stainless steel top with 1-1/2" turndown on all sides
- Top secured by four recessed bolts for easy access
- Framing includes 14-gauge top fastened to 14-gauge corner posts fastened to 14-gauge caster channels fastened to 18-gauge stainless steel bottom shelf, open control side
- 20-gauge stainless steel end and front panels are attached to legs
- 20-gauge stainless steel fully welded 5" deep well with drain
- Well is enclosed with insulation on sides, end and bottom
- 1" drain with shut off valve shall exit operator's left side as standard. Drain valve is 3/4" FPT.
- Open control side for additional storage capacity on Elite units

- Sliding doors standard on Mechanical (CMSL) units only
- Louvered panels for ventilation of condensing unit on CMSL units
- End louver panel removable to access compressor on CMSL units
- 5" diameter swivel plate casters, 2 with brakes

Dimensions

DXP2CMSL – 36"H x 19"D x 50"L

DXP3CMSL – 36"H x 19"D x 72"L

DXP2CISL – 36"H x 19"D x 50"L

DXP3CISL - 36"H x 19"D x 72"L

36" height on all standard units

19" width

50" to 72" length in 22" increments

Electrical – CM Units Only

- 120 volts single-phase
- Eight foot electrical cord with NEMA 5-15P plug
- On/Off switch and pilot light mounted on control panel of unit's operator side

Refrigeration System – CM Units Only

- 1/3 horsepower compressor
- Fan-cooled condensing unit with an expansion valve pressure control switch
- Refrigerant coils shall be of copper tubing attached to the bottom of the well

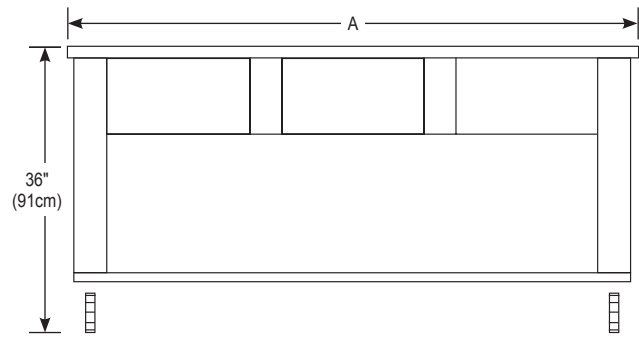
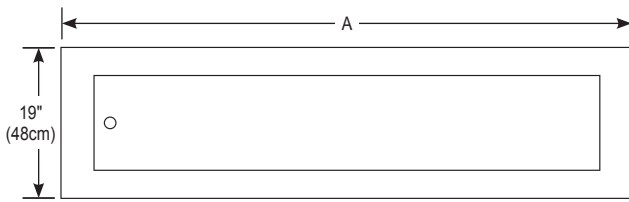
Common Options

- Pizzazz powder coating in lieu of stainless steel
- Tray slides
- Protector guards
- Hinged or sliding doors on CI units
- See reverse side for additional options

Warranty

One year parts and labor.

DINEXPRESS SLIMLINE COLD FOOD COUNTERS – MECHANICALLY OR ICE REFRIGERATED



Items and Dimensions

ITEM NUMBER	12" X 20" PAN CAPACITY*	LENGTH (A)	WIDTH	HEIGHT	AMPS (120V)	NEMA CAP NUMBER (120V)	SHIP WEIGHT (LBS)
DXP2CMSL	2	50" (127cm)	19" (48cm)	36" (91cm)	6.3	5-15P	225
DXP3CMSL	3	72" (183cm)	19" (48cm)	36" (91cm)	6.3	5-15P	265

Dimension Additions For Options

- Add 8" to width for cutting board
- Add 12-3/4" to width for solid ribbed tray slide
- Add 12-1/2" to width for 3-bar tray slide

Note: Line-up drawing required when ordering false front, cashier stand or interconnected units.

*Amperage/NEMA plug type may vary with options.

ITEM NO	DESCRIPTION
DXPPPC	PIZZAZZ POWDER COATING
DXPSCB	8" stainless steel cutting board, flush with top
DXPMCB	8" maple cutting board, flush with top
DXPSRTS	Solid 3-ribbed tray slide, 16-gauge stainless steel
DXP3BTS	3-bar tray slide, 34" height
DXPHD/SD	Hinged or sliding doors on Ice (CI) unit
DXPFRMAD	Formica laminate finish with doors
DXPOHS	Overhead shelf less plexiglass
DXPSSL	Legs in lieu of casters
DXPDOUT	Duplex outlet (120V, 15 AMP)
DXPFB	False bottom
DXPFPB	Full Perimeter Bumper
DXPCP	Correctional package
DXPCDD	Cafeteria double display (no heat or lights)
DXPCDDL	Cafeteria double display with fluorescent lights
DXPBP1	Buffet single side protector guard (no heat or lights)
DXPBP1IL	Buffet single side protector guard with incandescent lights
DXPBP1FL	Buffet single side protector guard with fluorescent lights
DXPBP2	Buffet double side protector guard (no heat or lights)

ITEM NO	DESCRIPTION
DXPBP2GIL	Buffet double side protector guard with incandescent lights
DXPBP2GFL	Buffet double side protector guard with fluorescent lights
DXPBEG	Buffet end guards, right or left
DXPBDD	Buffet double display two-sided protector guard
DXPBP2GC	Classic protector guards
DXPCDDC	Cafeteria Style Classic Double Display protector guards
DXPBP2G1C	Buffet style classic single sided protector guard
DXPSP2GC	Cafeteria style classic single protector guards
DXPSSL	Legs in lieu of casters
DXPDOUT	Duplex outlet (120v, 15 amp)
DXPFB	False bottom
DXPSBT	Stainless steel salad bar template.
DXPUCR-1	Refrigerated storage base with doors and pan slides on units 60" or longer
DXPUCR-2	Refrigerated storage base with doors and pan slides on units 74" or longer
DXPSKR	Skirting
DXPFF	Fill faucet
DXPSKR	Skirting

Please confirm that you have the most current specification sheet by visiting www.dinex.com.

It is Dinex's policy to offer equipment which is design certified by companies that have been accredited at the federal level by the Occupational Safety and Health Agency (OSHA) and ANSI as a national recognized testing laboratory. These companies include CSA International, Underwriters Laboratories, Edison Testing Laboratories and National Sanitation Foundation. However, a continuing program of product improvement makes it necessary to submit new models to the agencies as they are developed. Consequently, all models may not bear the appropriate labels at all times.

Dinex reserves the right to change specifications and product design without notice. Such revisions do not entitle the buyer to corresponding changes, improvements, additions or replacements for previously purchased equipment.



DINEX®

4711 E. Hefner Road
Oklahoma City, OK 73131
800.654.8210 | 405.475.5600
www.dinex.com