

Project: _____	AIA# _____
Item #: _____ Qty: _____	SIS# _____
Model #: _____	

## All-In-One Stations

See reverse side for model number key



**ALL-72**  
 (Juice Bottles, Waste Receptacle,  
 and Blender Not Included)



**Intertek**  
 4004503  
 Conforms to ANSI/NSF STD 2  
 Certified to CSA/CAN STD B45.4

### Standard Features

- All stainless steel construction
- Combines many different underbar components into one pre-assembled unit
- Combo Ice Bin, Single Wet Waste Sink with faucet and Blender Shelf, Condiment Dispenser, Double Speed Rail, Dry Waste Chute, and Towel Ring standard on all models (see spec pages CB, SW, DSR, and DW)
- Recessed Drainboards and Liquor Displays are included with some models (see spec pages RDB and LD)
- A stainless steel side splash is included between the wet waste sink and ice bin
- Ten circuit cold plates available in Combo Ice Bin
- Tubing chase available centered in ice bin backsplash. Specify accessory model #TC-BS.

**All faucets are NSF/ANSI 61, Annex G low lead compliant**

To view underbar installation instructions, please visit: [https://www.glastender.com/PDF/F-750-165\\_Underbar\\_Installation\\_Instructions.pdf](https://www.glastender.com/PDF/F-750-165_Underbar_Installation_Instructions.pdf)  
 To view cleaning and care instructions, please visit: [https://www.glastender.com/PDF/F-423-011\\_ss\\_clean\\_care.pdf](https://www.glastender.com/PDF/F-423-011_ss_clean_care.pdf)

### Specifications

#### Drains

- Bottle well: 1-1/2" tailpiece
- Ice bin:
  1. Models without cold plate - 1-1/2" tailpiece
  2. Models with ten circuit cold plate - 3/4" MPT
- Drainboard, Wet Waste Sink, and Recessed Drainboard (if applicable): 1-1/2" I.P.S. Threaded drain will fit Dearborn part #8033 slipnut and part #W-573P washer.

#### Tubing Chase in Backsplash (Optional)

- 2-3/8" by 4" hole centered in ice bin backplash

#### Faucet

- 4" centers, accepts 3/8" sink leads, hot and cold water connections required

#### Sink Bowl Dimensions

- 11-1/2" long by 9-1/4" wide by 6" deep

#### Sink Strainer

- Perforated plastic

#### Legs

- 1-5/8" diameter 16 gauge stainless steel
- Stainless steel bullet feet

#### Materials

- 20 gauge stainless steel parts include: all components unless otherwise noted
- 8 gauge stainless steel parts include: side splash
- 14 gauge stainless steel parts include: recessed drainboard end, speed rail ends, and liquor display ends

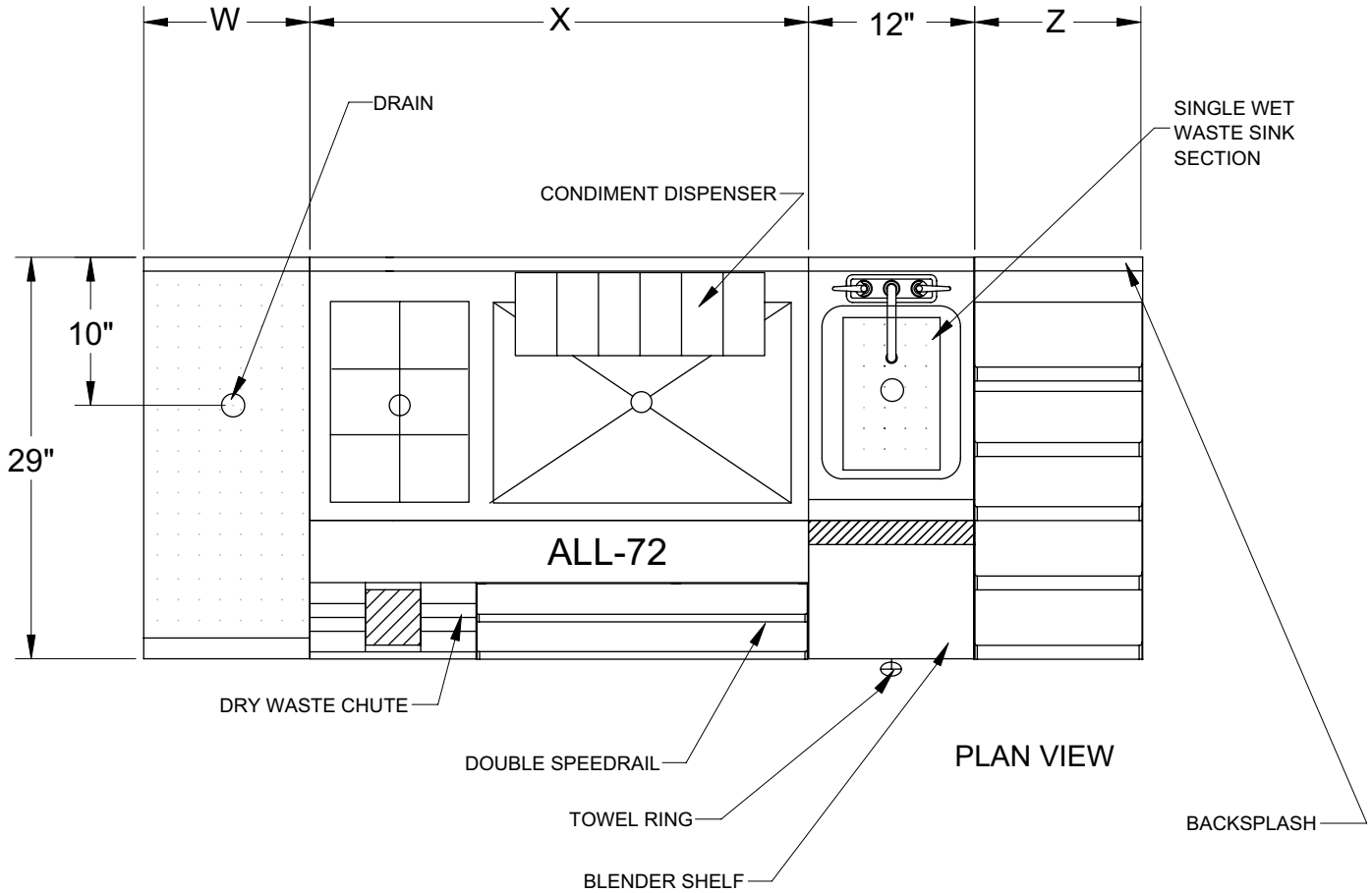
**⚠ WARNING:** The plastic wet waste strainer included with this product can expose you to chemicals including Bisphenol A (BPA), which is known to the State of California to cause birth defects or other reproductive harm. For more information, go to [www.P65Warnings.ca.gov](http://www.P65Warnings.ca.gov). **Warning applies to State of California only.** Part #03000483

<b>Glastender, Inc.</b> • 5400 N Michigan Rd • Saginaw, MI • 48604-9780 989.752.4275 • 800.748.0423 • Fax 989.752.4444 <a href="http://www.glastender.com">www.glastender.com</a>	Approval/Notes:
Specifications subject to change without notice. For current specifications please visit our website.	

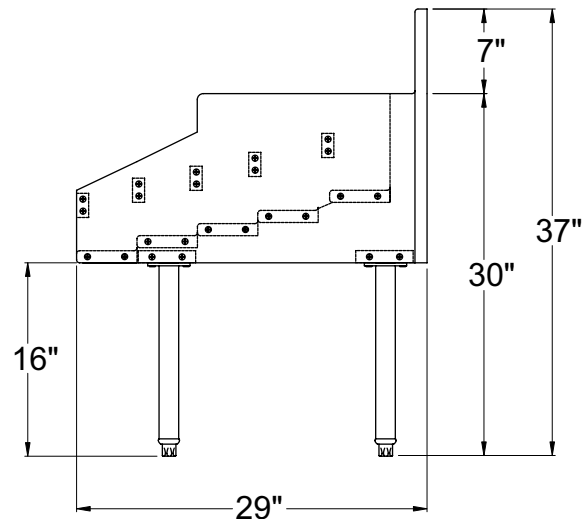
# All-In-One Stations

## Dimensional Information

Letter	Descriptions
W	Recessed Drainboard Section
X	Combo Ice Bin Section
Z	Liquor Display Section



Model Number	W	X	Z
ALL-60A	N/A	36"	12"
ALL-60B	12"	36"	N/A
ALL-66A	N/A	42"	12"
ALL-66B	12"	42"	N/A
ALL-66C	18"	36"	N/A
ALL-66D	N/A	36"	18"
ALL-72	12"	36"	12"
ALL-72A	N/A	42"	18"
ALL-72B	18"	42"	N/A



SIDE ELEVATION



5400 N Michigan Rd • Saginaw, MI • 48604-9780  
 989.752.4275 • 800.748.0423 • Fax 989.752.4444  
 www.glastender.com