

## SC-OD35E-33L-B-LED Mobile Merchandiser



**SC-OD35E-33L-B-LED**

Model No.	Description	Length	Depth	Height	Voltage	Amps	HP	Power Cord
SC-OD35E-33L-B-LED	Self Contained	33.75"	34.5"	60"	115	14.0	1/2	5-20P

MODEL NUMBER PREFIX - SC = Self Contained

MODEL NUMBER SUFFIX - B = Black LED = LED lighting

- Cases are designed to operate at 75 degrees Fahrenheit and 55% relative humidity
- Cases are equipped with drains; check your local building codes for connection requirements.
- Specification subject to change without notice

IF COLORS ARE MIXED AN ADDITIONAL CHARGE WILL APPLY



**Howard • McCray**

A Division of HMC Enterprises LLC • 831 East Cayuga St • Philadelphia, PA 19124 USA

(215) 464-6800 • 1-800-344-8222 • Fax (215) 969-4890 • E-Mail: sales@howardmccray.com • www.howardmccray.com

# SC-OD35E-33L-B-LED Mobile Merchandiser

## Standard Specifications

### CONSTRUCTION

- UL Classified to ANSI/NSF 7
- Foamed in place CFC free foam
- Heavy gauge steel super structure

### INTERIOR

- Black end panels
- Removable black floor pans
- Black perforated rear wall  
(for even air distribution)
- Full length lighting at top of unit

### EXTERIOR

- Black ends and front
- Removeable front grill allows for cleaning and servicing

### FINISHES

- Black end panels
- Black front rail
- Black end trim

### LIGHTING

- 2 strips of LED lighting inside top of unit

### ELECTRICAL REQUIREMENTS

- Cord and Plug
- Receptacle on back (separate circuit)

### REFRIGERATION

- Self contained expansion valve system
- Low velocity fans located below deck area  
(to insure even flow of air)
- Electronic Control System with automatic air defrost  
to Maintain Balanced Temperatures
- New high efficiency air screen technology
- Self contained system
- Hermetic unit
- Built-in condensate system included

### OPTION

- Night Cover

#### Important Note:

All refrigerated cases are designed to operate in an environment of 75 degrees and 55% relative humidity. Product must be cooled before being displayed within the case.

# SC-OD35E-33L-B-LED Mobile Merchandiser

## Technical Data

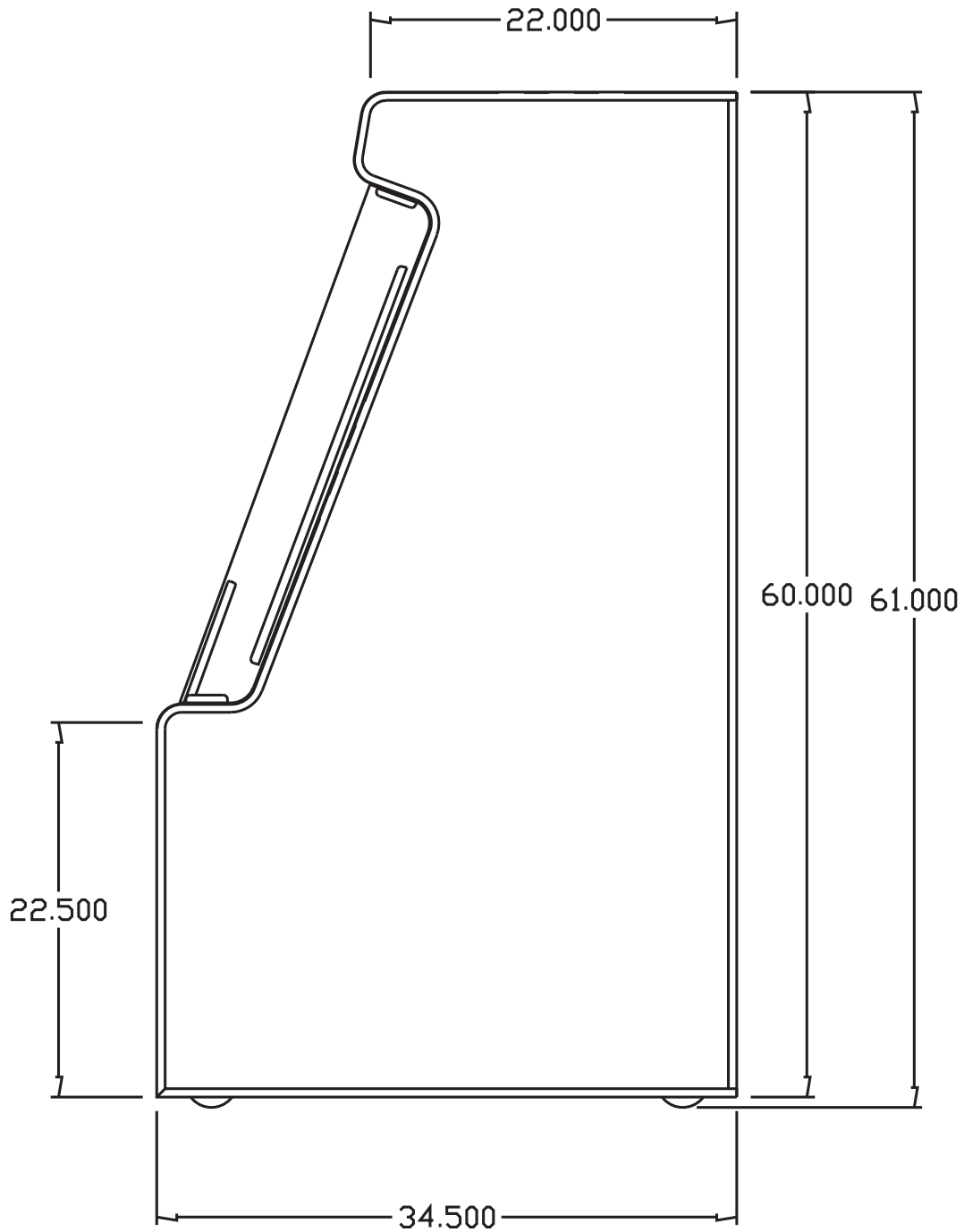
Model No.	SC	SC-OD35E-33L-B-LED
Length with (2) ends		33.75"
Length without ends		30.75"
Height with ends		60.00"
Height with casters		61.00"
Depth with ends		34.50"
Depth without ends		34.50"
Endless design (Dimensions are +/- 1/4")		YES
Operating temperature		38°F to 41°F
Refrigerant (expansion valve)	SC	
Compressor size HP		1/2
Defrost per day (24 hours)	Air Defrost	6
Voltage	SC	115
Amperage	SC	14.0
Cord and plug	SC	5-20P
Exterior color		Black
Interior color		Black
# of shelves		2 Shelves
Size of shelves		12.00", 14.00"

**Important Note:**

All refrigerated cases are designed to operate in an environment of 75 degrees and 55% relative humidity. Product must be cooled before being displayed within the case.

# SC-OD35E-33L-B-LED Mobile Merchandiser

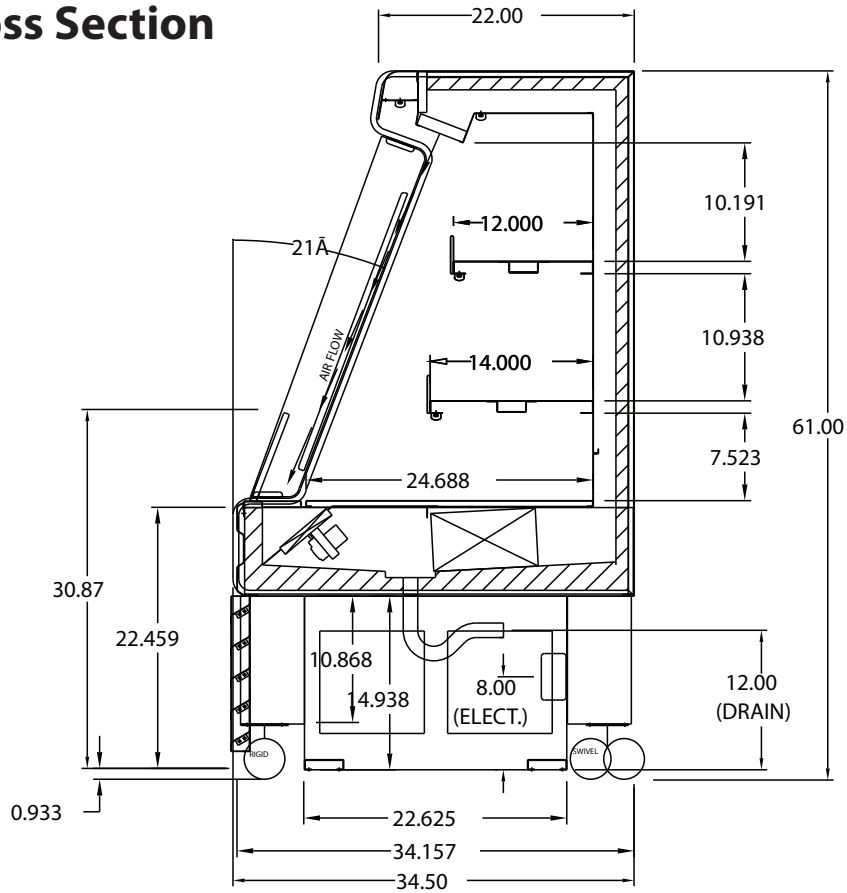
## Technical Data • Side View



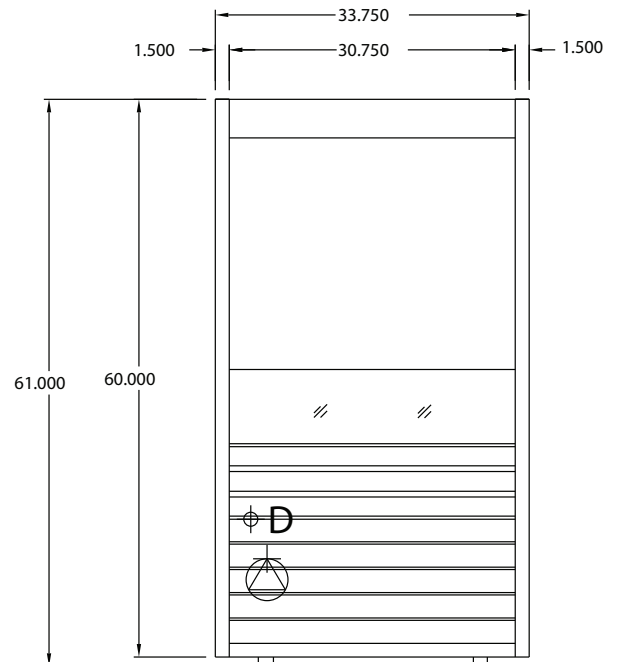
# SC-OD35E-33L-B-LED Mobile Merchandiser

## Technical Data

### Cross Section



### Front View



### Plan View

