



**T&S BRASS AND BRONZE WORKS, INC.**  
 2 SADDLEBACK COVE / P.O. BOX 1088 / TRAVELERS REST, SC 29690  
 PHONE 800-476-4103 - FAX 864- 834-3518



Model No.

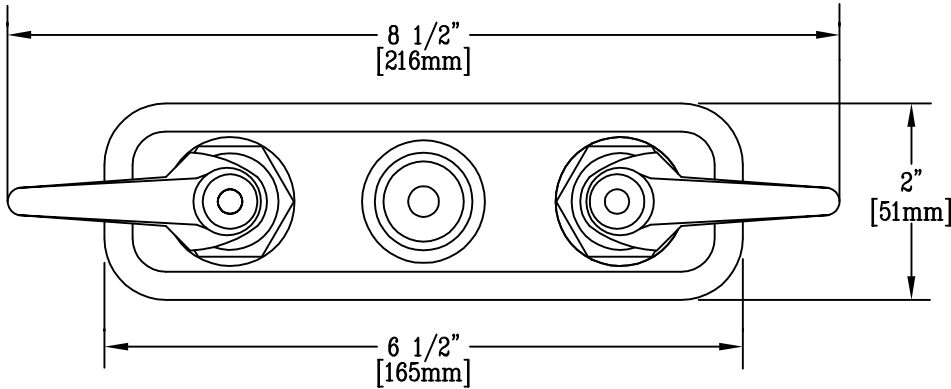
B-1111

**RELIABILITY  
 BUILT IN**

Job Name:

Architect/Engineer Approval:

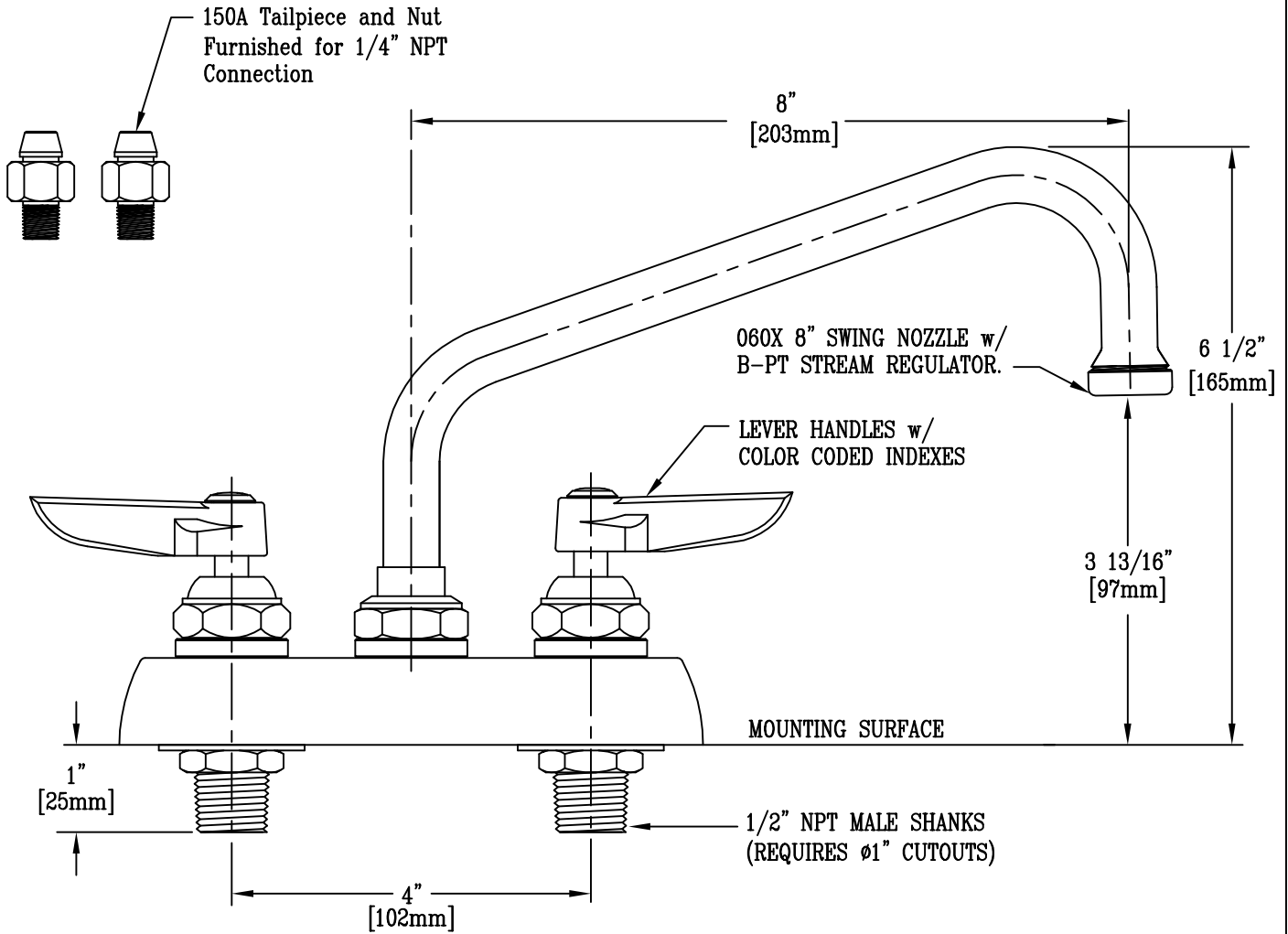
Notes:



**TOP VIEW**



**ADA Compliant**



Product Description:  
 WORKBOARD FAUCET WITH 1/2" NPT MALE SHANKS,  
 4" INLET CENTERS, 060X 8" SWING NOZZLE,  
 B-PT STREAM REGULATOR, LEVER HANDLES

Drawn:

KJG

Checked:

JRM

Scale:

1 : 2

Approved:

JHB

Date:

12/19/07