



# 1415

## Countertop Electric Deck Oven



### OPTIONS AND ACCESSORIES

(AT ADDITIONAL CHARGE)

- Stacking kit
- 4" legs with adjustable sanitary feet

Project \_\_\_\_\_

Item No. \_\_\_\_\_

Quantity \_\_\_\_\_

Ovens consist of basic sections and are a complete and separate unit capable of operating alone or in combination. All data is shown per oven section, unless otherwise indicated.

*Refer to operator manual specification chart for listed model names.*

### EXTERIOR CONSTRUCTION

- Stainless steel front, top and sides
- Aluminized steel back and bottom
- Drop down type doors
- 1" high-temperature mineral fiber sheet insulation on top, back, sides and bottom

### INTERIOR CONSTRUCTION

- 20" x 20" x 9" (508mm x 508mm x 229mm) oven compartment interior
- Two 4" cooking decks per section
- Aluminized steel baking compartment liner
- Cordierite oven deck
- No. 16 gauge aluminized steel heater shelf assemblies

### OPERATION

- 3 tubular type heaters (208 or 240 VAC) 3750 total watts
- Thermostat actuated contactor heater control
- Solid state digital display control with temperature range of 150° to 500°F (66° to 260°C) and a maximum 12 hour timer with audible alarm

### STANDARD FEATURES

- Two year parts and one year labor warranty
- Five year limited oven door warranty\*

*\* For all international markets, contact your local distributor.*

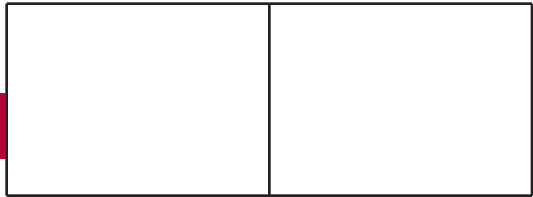
**NOTE:** The company reserves the right to make substitutions of components without prior notice

1415 COUNTERTOP DECK

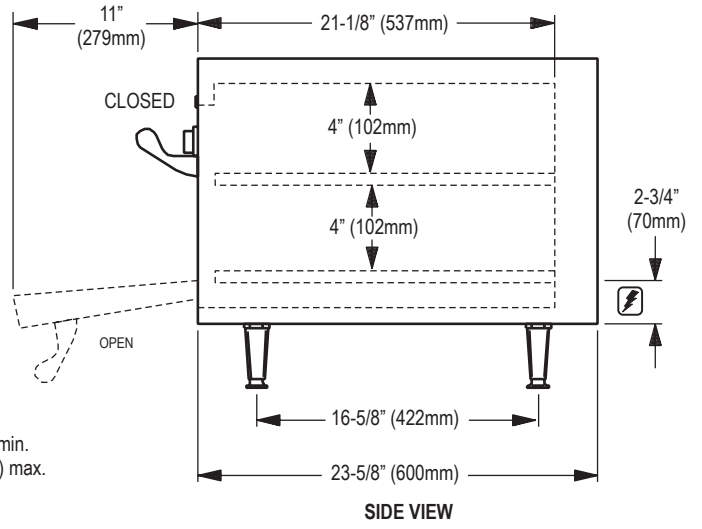
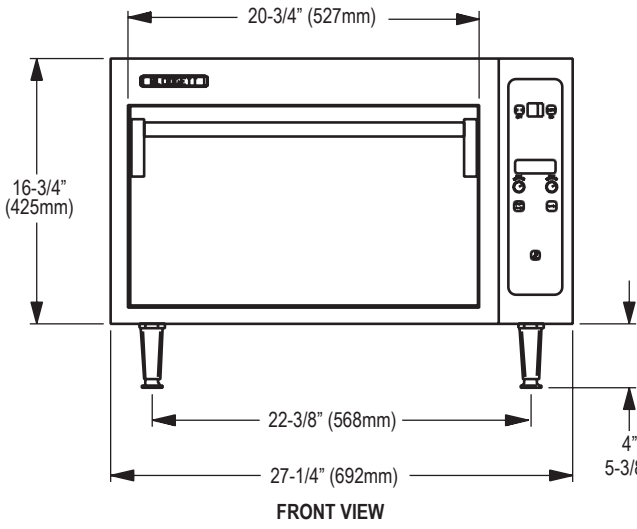




# 1415 ELECTRIC DECK OVEN



APPROVAL/STAMP



**DIMENSIONS**

Counter space 27-3/8" x 23-11/16" (695mm x 602mm)  
 Cooking Compartment (per section)  
 Size 20" x 20" x 9" (508mm x 508mm x 229mm)

**SECTION DETAILS**

	Single	Double
Number of section	1	2
Number of controls	1	2
Number of compartments	2	4

**POWER SUPPLY (per section)**

VAC	Hz	Phase	kW	Amps (L1-L2-L3)
208	60	1	3.75	18-0-18
208	60	3	3.75	11-11-11
220/240	60	1	3.75	17-0-17
220/240	60	3	3.75	10-10-10
220/240	50	1	3.75	17-0-17

**MAXIMUM INPUT**

3.75 kW

**MINIMUM ENTRY CLEARANCE**

Uncrated 17" (431mm)  
 Crated 26" (660mm)

**SHIPPING INFORMATION**

**Approx. Weight**

Single 270 lbs. (122kg)  
 Double 540 lbs. (245kg)

**Crate Size**

33" (838mm) 36" (914mm) 35" (889mm)  
 (2 crates required for double)