

T&S BRASS AND BRONZE WORKS, INC.

2 Saddleback Cove / P.O. Box 1088
Travelers Rest, SC 29690

Model No.

B-3950-XL

Item No.

Travelers Rest, SC: 800-476-4103 • Simi Valley, CA: 800-423-0150 • Fax: 864-834-3518 • www.tsbrass.com

This Space for Architect/Engineer Approval

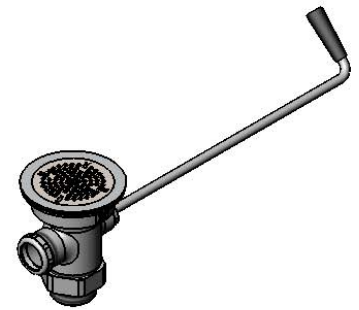
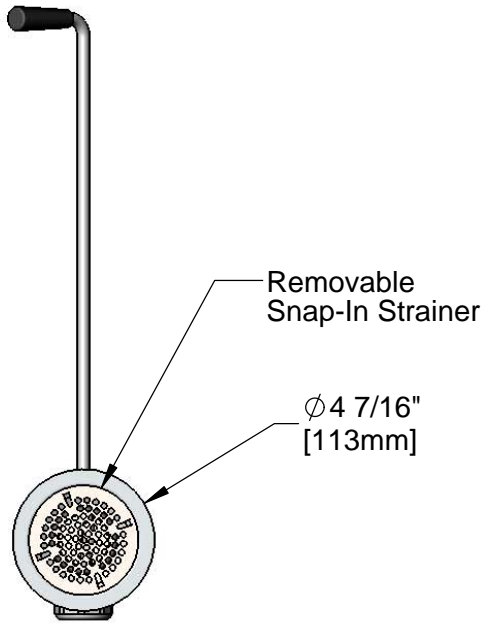
Job Name _____ Date _____

Model Specified _____ Quantity _____

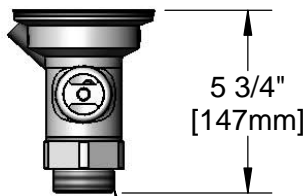
Customer/Wholesaler _____

Contractor _____

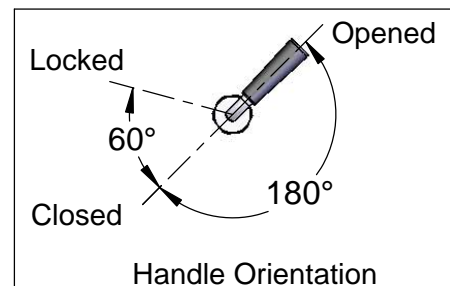
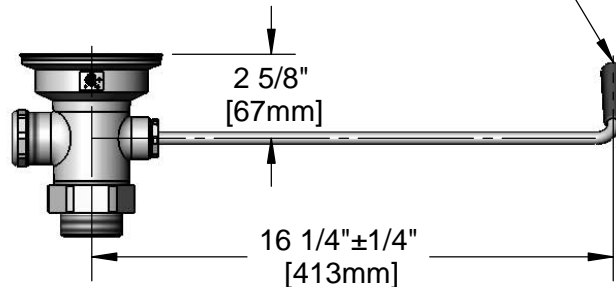
Architect/Engineer _____



Long Twist Handle
w/ Heat Resistant
Plastic Grip (Shown
in Open Position)



Adapter Converts 2" NPT
Male to 1 1/2" NPT Male.
Remove Adapter When 2"
NPT Male Thread is Needed.



Product Specifications:
Rotary Waste Valve w/ Long Twist Handle, 3 1/2" Sink Opening,
2" NPT Male / 1 1/2" NPT Male Adapter

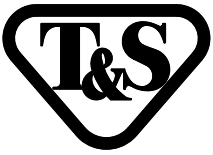
Drawn
KJG

Checked
JRM

Approved
JHB

Scale:
1:6

Date:
11/02/12



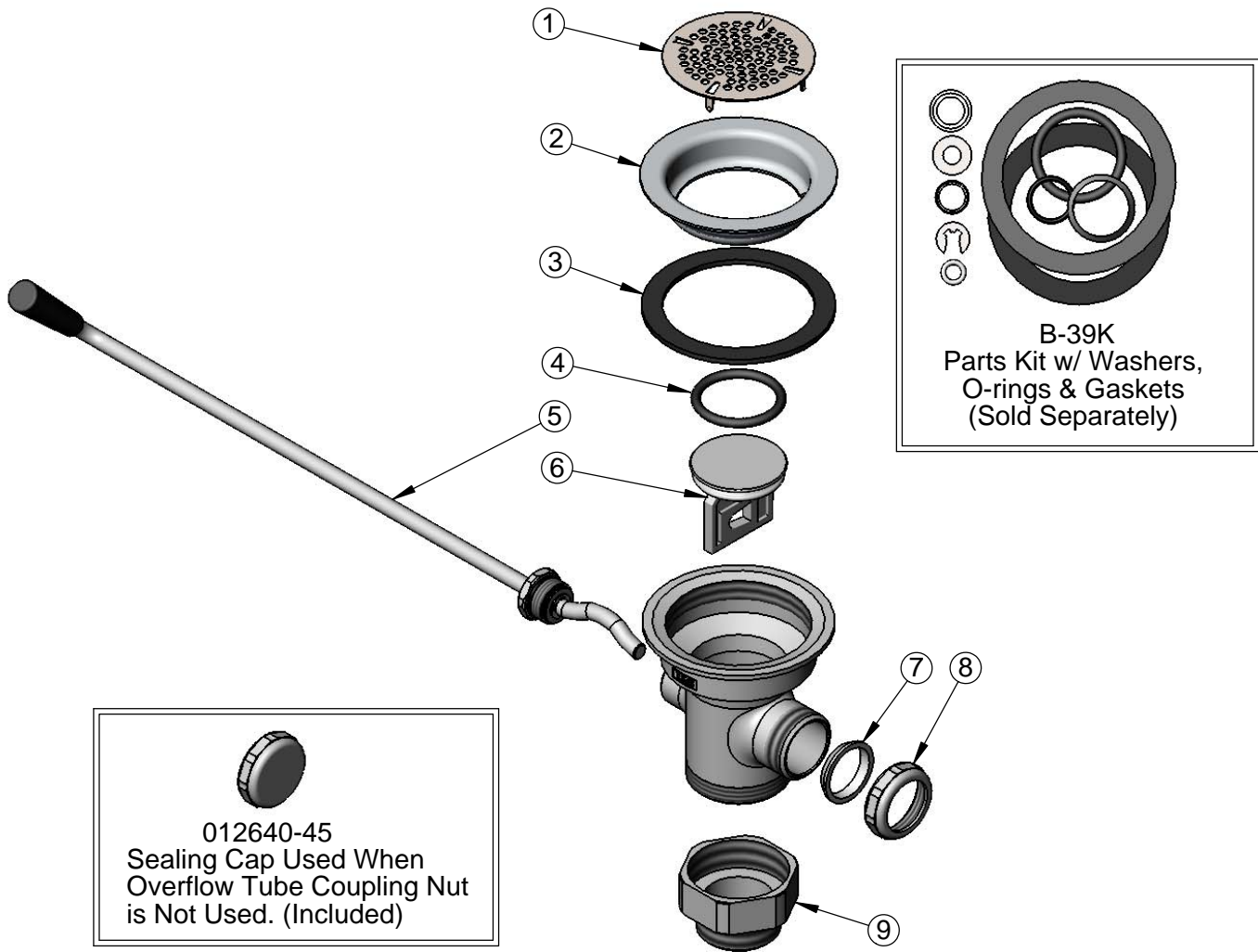
T&S BRASS AND BRONZE WORKS, INC.
 2 Saddleback Cove / P.O. Box 1088
 Travelers Rest, SC 29690

Model No.
B-3950-XL

Item No.

Travelers Rest, SC: 800-476-4103 • Simi Valley, CA: 800-423-0150 • Fax: 864-834-3518 • www.tsbrass.com

ITEM NO.	SALES NO.	DESCRIPTION
1	010386-45	Strainer, 3 1/2" Snap-In Removable
2	010384-45	Flange, 3 1/2" Face
3	010382-45	Gasket, 3 1/2" Face Flange
4	010389-45	O-Ring, Plunger
5	010393-45XL	Handle, Long Twist
6	010388-45	Plunger, Twist Drain
7	010390-45	Ferrule, Coupling Nut
8	010391-45	Nut, Coupling For Twist Drain
9	B-3945	Adapter, 2" NPT x 1 1/2" NPT



Product Specifications:
 Rotary Waste Valve w/ Long Twist Handle, 3 1/2" Sink Opening,
 2" NPT Male / 1 1/2" NPT Male Adapter

Drawn KJG	Checked JRM	Approved JHB
Scale: NTS		Date: 11/02/12