

EasyLift Bowl Lifts

Heavy bowl lifting solutions for operator labor savings and higher productivity



VLIFT-E150

MODELS

- VLIFT-E60** EasyLift 60: 30-60 qt. Bowl Lift
- VLIFT-E150** EasyLift 150: 80-150 qt. Bowl Lift

STANDARD FEATURES

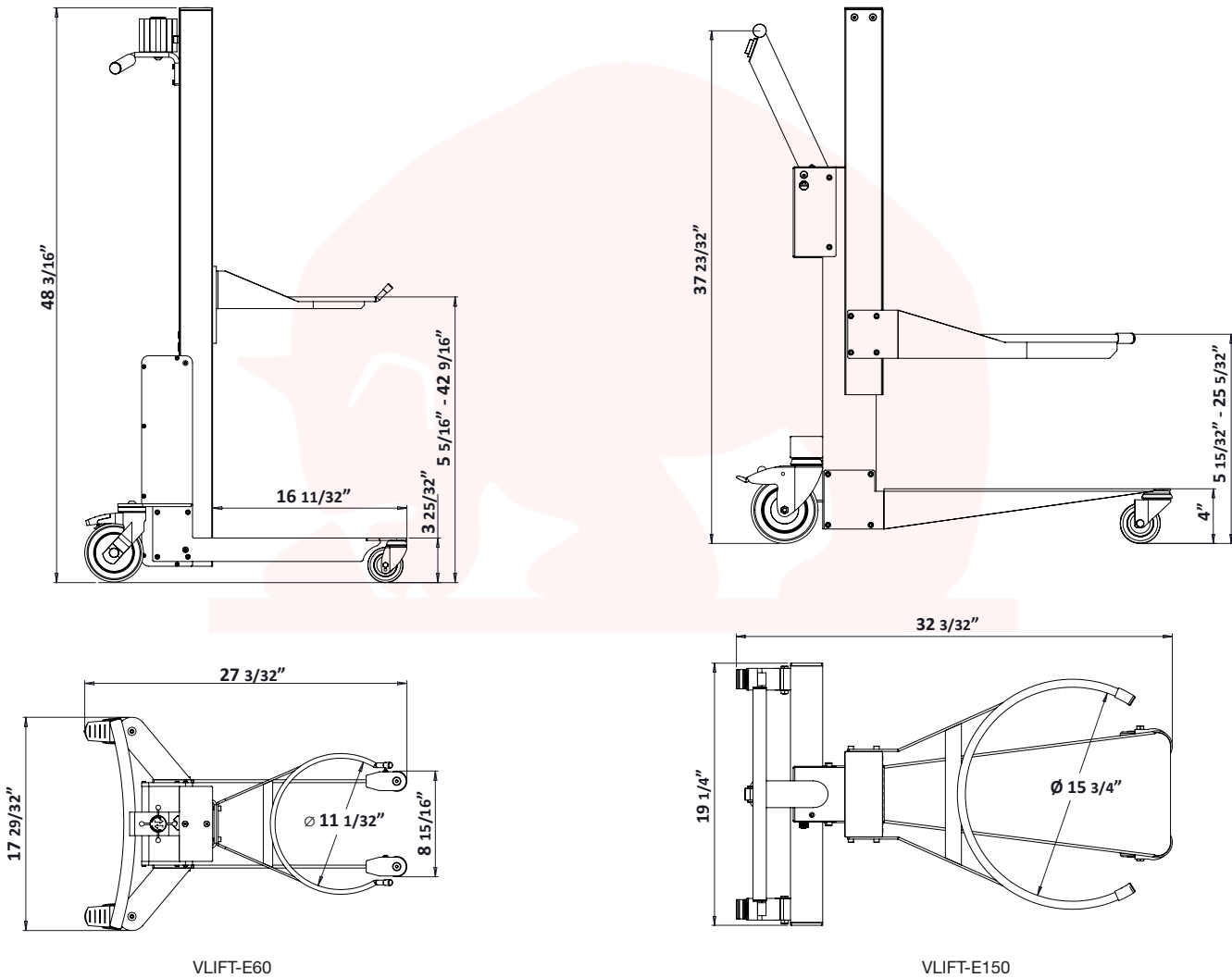
- Lifts mixer bowls from:
 - 30 - 60 qts., 154 lbs. – EasyLift 60
 - 80 - 150 qts., 220 lbs. – EasyLift 150**Cannot be used with ERGO 150*
- Anodized aluminum mast with glass bead blasted stainless steel forks and handle
- Battery powered - no cords required for mobility
- 8-hour charge to 100% with 1-5 hour partial charge and green indicator light
- Overload protection and safety clutch
- Push-button lift and lowering function
- Lift height from 5.47" to 25.16"
- Bowl is lifted directly out of the mixer and driven to workstation at appropriate working height for easy handling
- Can be parked under a table when not in use for simple storage
- Made in Denmark

STANDARD ACCESSORIES

- Charger & cable set

WARRANTY

- Two-year parts and labor warranty



VLIFT-E60

VLIFT-E150

SPECIFICATIONS

Model	Maximum Load	Battery	Amp	Charger	Charge Time	Vibration Strength	Sound Pressure	IP Rating
VLIFT-E60	154 lbs.	24V, 7.2Ah	12.4	120V, 1.8 Amps	8 hrs.	≤ 2.5 m/s ²	≤ 70 Db(A)	IP41
VLIFT-E150	220 lbs.	24V, 1.2Ah	12.4	230V, 2 Amps	8 hrs.	≤ 2.5 m/s ²	≤ 70 Db(A)	IP41

DIMENSIONS | SHIPPING INFORMATION

Reinforced carton for shipping. This product ships on a pallet. See dimensions below.

Model	Overall Dimensions	Net Wt.	Shipping Dimensions	Ship Wt.	Freight Class
VLIFT-E60	17.9" W x 27.12" D x 48.12" H (45.5 cm x 68.89 cm x 122.2 cm)	59 lbs. (130.1 kg)	23.6" W x 31.5" D x 57" H (60 cm x 80 cm x 145 cm)	77.2 lbs. (35 kg)	85
VLIFT-E150	19.25" W x 32.1" D x 37.1" H (48.9 cm x 81.5 cm x 94.2 cm)	130 lbs. (286.6 kg)	31.5" W x 47.2" D x 21.65" H (80 cm x 120 cm x 55 cm)	94.8 lbs. (43 kg)	85

EasyLift 60 lifts 30 to 60 qt. bowls with maximum load of 154 lbs. EasyLift 150 lifts 80 to 150 qt. bowls with maximum load of 220 lbs. Battery powered with overload protection and safety clutch. Push-button lift and lowering function. Bowl is lifted directly out of the mixer and driven to workstation at appropriate working height. Anodized aluminum mast with glass bead blasted stainless steel forks and handle. Can be parked under a table when not in use for simple storage. EasyLift cannot be used with ERGO 150. Two-year parts & labor warranty.