



**48" TWO DOOR AND DUAL-ZONE
Refrigerator/Wine Reserve**



eco friendly
R600a Refrigerant

JOB	
AREA	
ITEM NO.	
MODEL NO.	



**Refrigerator
HC48RS4**



**Dual Zone Wine Reserve
HC48WW4**

MODEL NO.
HC48RS4
HC48WS4
HC48RW4
HC48WW4

MODEL NUMBERS - HC48RS4, HC48WS4, HC48RW4, HC48WW4

KEY PRODUCT FEATURES AND BENEFITS

- All stainless steel interior ensures consistent cabinet temperature and hygienic easy to clean environment that will not absorb odors over time
- Full Extension, smooth glide shelving gives easy access to product and faster, more ergonomic product loading
- Ultra-quiet and energy efficient smart compressor – compressor ramps up as additional cooling is needed maximizing energy savings while decreasing pull down time
- NSF Rated digital controller allows for precision temperature setting and features an audible door alarm, alerting the operator if an intrusion will not allow the door to close
- Open shelf design allows cold air to surround product reducing temperature variation in the cabinet and extending product life
- 525 BTU/hr fast pull down of product to serving temperature

Quick Features:

- All stainless steel wine shelves ensures zero off gassing or odor absorption
- Accessory wood front available to match custom overlays
- 2" foamed-in-place eco-friendly insulation provides energy savings with zero ozone depletion
- Smart defrost cycle runs only when needed, increasing energy efficiency over standard systems
- Selectable white or blue LEDs provide crisp line of sight to product
- Solid and uv-coated glass door options available in both stainless steel or black vinyl finish
 - Black vinyl door panels can easily be removed to allow a custom wood overlay to be applied
 - Custom door panels are customer supplied – see perlick.com for door overlay templates
- Multiple handle, legs, and caster options available
- Field reversible door allows for easy replacement or re-purposing
- Door lock optional
- NSF 7 rated for canned and bottle beverage storage
- No plumbing required
- 1 Year Warranty, 5 Year Compressor Warranty

Form No. Z2420
Rev. 04.12.22



48" TWO DOOR AND DUAL-ZONE Refrigerator/Wine Reserve

MODEL NUMBERS - HC48RS4, HC48WS4, HC48RW4, HC48WW4

MODEL NO.		HC48RS4	HC48WS4	HC48RW4	HC48WW4
CABINET DIMENSIONS	Length Ins. (mm)	47-7/8" (1216)	47-7/8" (1216)	47-7/8" (1216)	47-7/8" (1216)
	Depth Ins. (mm)	24" (610)	24" (610)	24" (610)	24" (610)
	Height Ins. (mm)	34-3/8" (873)	34-3/8" (873)	34-3/8" (873)	34-3/8" (873)
SHIP WEIGHT LBS. (KG)		375 (170)	375 (170)	375 (170)	375 (170)
CAPACITY CU. FT. (L.)		11.7 (331)	11.7 (331)	11.1 (314)	11.1 (314)
SHELVING		2 black vinyl-coated full-extension shelves (adjustable) per door & floor racks	4 full-extension wine shelves & 6 full-extension wine shelves. Magnum floor rack 1st compartment.	2 black vinyl-coated full-extension shelves (adjustable) & 6 full extension wine shelves	4 full-extension wine shelves & 6 full-extension wine shelves. Magnum floor rack 1st compartment.
TEMPERATURE SETTINGS F°(C°)					
RANGE:		34°F (1.1°) - 42°F (5.6°)	40°F (4.4°) - 68°F (20°)	34° (1.1°) - 42° (5.6°) 40°F (4.4°) - 68°F (20°)	40°F (4.4°) - 68°F (20°) 40°F (4.4°) - 68°F (20°)
FACTORY SET POINT:		36°F (2.2°)	55°F (12.8°)	36°F (2.2°) 55°F (12.8°)	55°F (12.8°) 55°F (12.8°)
TAPPING		Centered over door compartment 2 only.	Wine tapping not available.	Wine tapping not available.	Wine tapping not available.
CABINET CONSTRUCTION (INT.)		Interior Stainless Steel			
CABINET CONSTRUCTION (EXT.)		Exterior Sides, Exterior Top and Grill Stainless Steel Exterior Back and Exterior Bottom Stainless Steel Door Exterior Customer Choice (see below under 'Customer Options')			
CABINET INSULATION		Polyurethane-Ecomate. Wall Thickness-2" Door Thickness-2"			
DOORS, HINGING & HARDWARE		Number of Doors 2 Opening Style Hinged (Left or Right) Door Style Solid or Glass Door Swing Clearance 25" (635) Locks Available (factory installed)			
CONDENSING UNIT LOCATION		Front			
REFRIGERATION		Refrigerant 62g. - R600a Expansion Device Capillary Tube Type w/Hermetic Compressor			
HEAT REJECTION		750 BTU/hr at 75°F			
PULL DOWN CAPACITY		525 BTU/hr			
PLUMBING		None required. Moisture drains to self evaporating condensate pan			
ELECTRICAL		Electrical Supply 115V/60 Hz/1 Phase Running Load Amps 2.8 Cord Connection Cord Connected (3-prong 6' NEMA 5-15P) Thermostat Digital Lighting Type LED blue/white			
VENTILATION		Front-vented			
CUSTOMER OPTIONS		Door Finishes Black Vinyl Clad (B), Stainless (S), Glass w/Black Frame (G), Glass w/Stainless Steel Frame (T), Door Handle Options 24" full length two tone, Classic 6" chrome w/black vinyl grip, tab handle (top mount, stainless steel)			

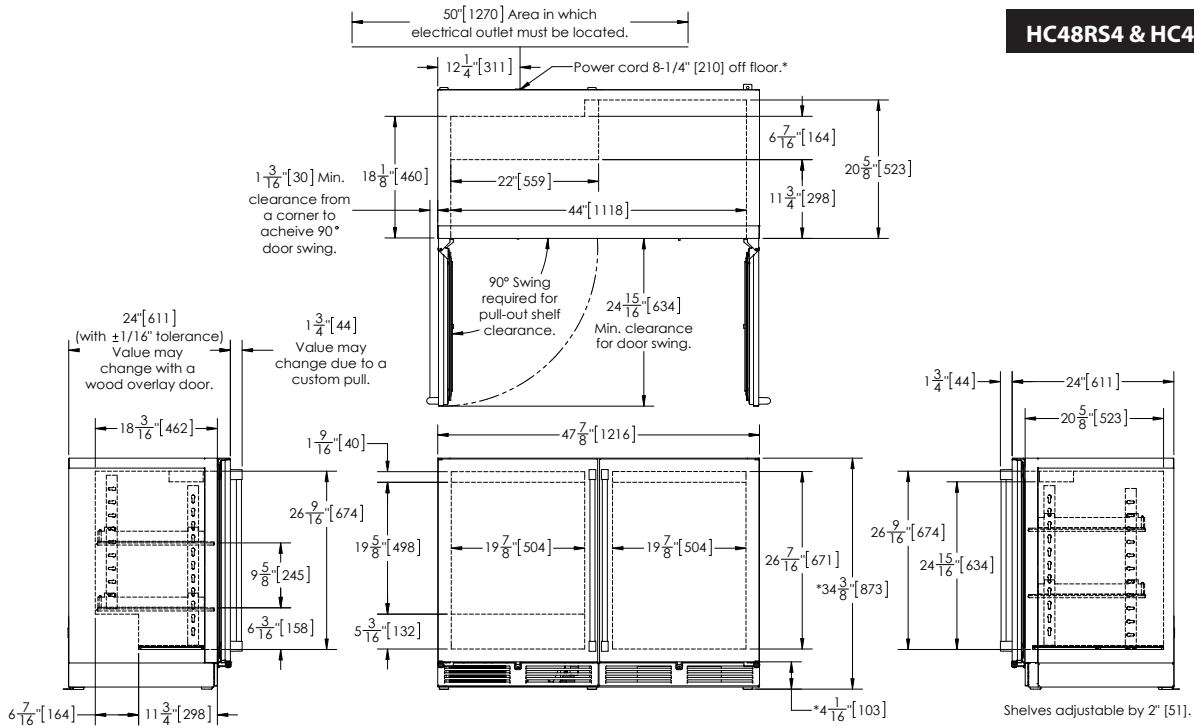
This equipment is not intended to operate in an environment with a temperature exceeding 85°F.

***NOTE:** This equipment is intended for the storage and display of non-potentially hazardous bottled or canned products only!

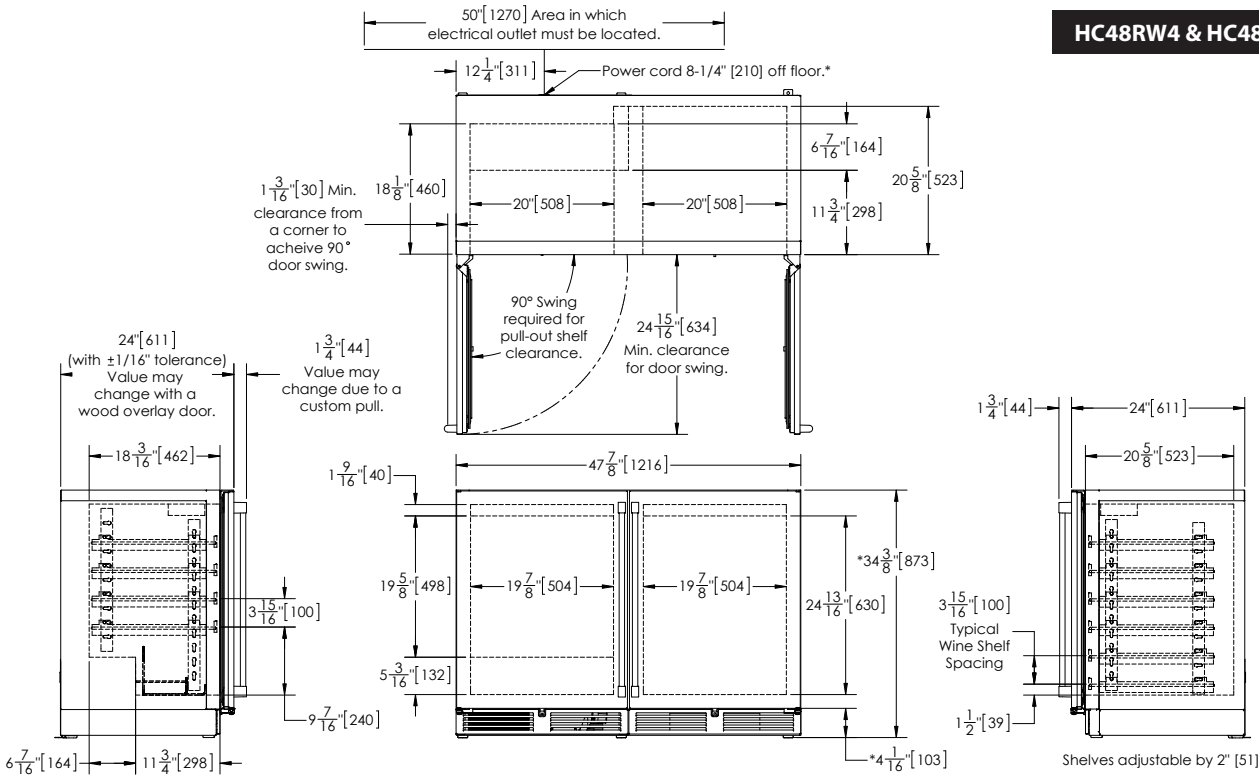


48" TWO DOOR AND DUAL-ZONE Refrigerator/Wine Reserve

HC48RS4 & HC48WS4 MODELS



HC48RW4 & HC48WW4 MODELS



California Prop 65 Notice:

WARNING: The materials used in this product may contain chemicals known to the State of California to cause cancer and birth defects or other reproductive harm. For more information go to www.P65Warnings.ca.gov.