

Fusion

Self-Service Freezer

Structural Concepts®

DELIVERING FRESH. ALWAYS.™

• MD472F

52-1/4"L x 37-1/8"D x 73"H

Included

- Glass swinging front doors
- LED top & shelf lights
- One year parts & labor warranty
- Remote DX refrigeration
- Stainless steel rear exterior
- Warmest average product temperature of 0°F or less



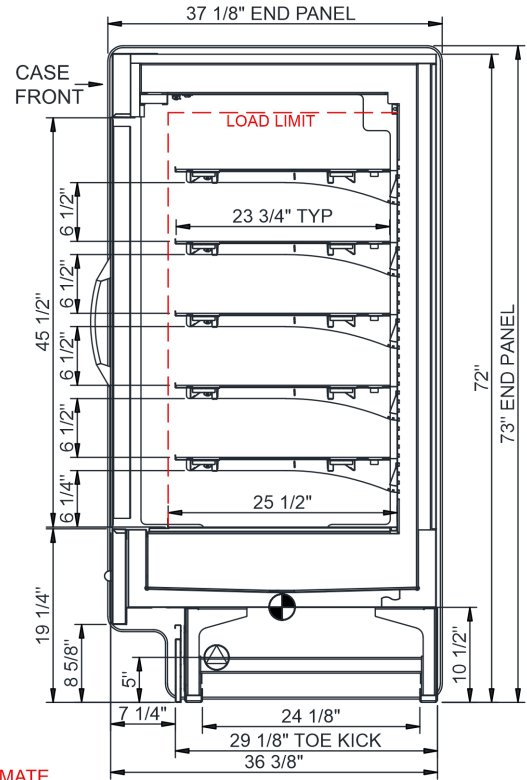
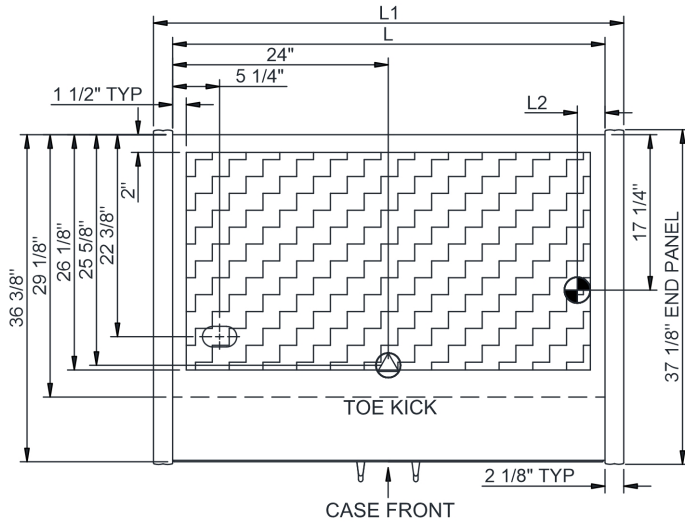
MD472F

| Specify | Standard Features | Additional Options |
|--------------------------------|--|---|
| EXTERIOR COLOR | • Powder coated Silversan Black | • Powder coated (stock/non-stock colors) |
| INTERIOR COLOR | • Powder coated Silversan Black | • Stainless steel |
| LOWER FRONT PANEL COLOR | • Powder coated Silversan Black | • Powder coated (stock/non-stock colors) • Stainless steel |
| BASE SUPPORT | • Rail system for shims | |
| BUMPER FRONT | • 1" Boston bumper (specify color) | • 1" Stainless steel plate rail bumper |
| END PANELS | • Full w/stainless steel mirror interior | |
| HEADER | • Flat header | |
| PRICE TAG MOLDING | • None | • Universal price tag molding (clear w/ open top) |
| REAR DOORS | • None (solid back panel) | |
| SHELVING | • (4) Lighted clear glass shelves | • (5) Lighted clear glass shelves |
| LIGHTS | • LED 3500K w/ frosted lens | |
| ELECTRICAL CONNECTION | • Electrical leads (remote) | |
| REFRIGERATION | • Remote DX refrigeration | • Remote w/thermostat, solenoid & TXV |
| SENSOR | • None | • CPC discharge air sensor (remote) |
| MISCELLANEOUS | | • Second year parts & labor warranty |

| | | |
|--|---|----------------------------------|
| Intended Environment: Type I - Designed to operate in ambient conditions of 75°F with 55% relative humidity unless noted otherwise in system information below. | | |
| Zone | Intended Product To Be Displayed | Warmest Avg Prod Temp ° F |
| 1 | Packaged frozen products | 0 |

PLAN VIEW

SIDE VIEW



NOTE: ALL DIMENSIONS APPROXIMATE

- ELECTRICAL JUNCTION BOX (SUPPLIED WITH 6" LEADS OR POWER CORD).
- REFRIGERATION LINE CONNECTION.
- SELF-CONTAINED CASE SERVICE ACCESS AREA.
- LOCATION OF DRAIN TUBE FOR REMOTE REF. ONLY (SUPPLIED WITH 3/4" OR 1 1/2" PVC TUBE).
- REMOTE FLOOR SINK & UTILITIES ACCESS AREA.
- DRY CASE SERVICE ACCESS AREA.

| Model Technical Specifications | | | | | | | | | | | | | | | | | |
|--------------------------------|-------|-------|------|----------------------|--|------------|---------|----------|-------|-------|-----------|-----|-----------------|-----------------|--------|-----|-----|
| Model | L" | L1" | L2" | System Circuit Volts | | Phs | Freq | Amps *** | Watts | Wires | NEMA Plug | SST | Conv. Rack BTUH | Para. Rack BTUH | Est Wt | | |
| MD472F | 48.00 | 52.25 | 3.00 | Elec Defrost (N/A) | | Circuit #2 | 208-240 | 1 | 60 | 5.33 | 1,172 | 2+G | Leads Single | N/A | N/A | N/A | 800 |

*** Does not include electric defrost on freezer models.

| Regulatory Approvals: | |
|-----------------------|---|
| All Models | Accordance with AHRI Std 1200 ETL Listed to UL 471 ETL Listed to CAN/CSA 22.2 No. 120 ETL Sanitation to NSF/ANSI 7 |



Important Notes:

- 1) Units must be shimmed during installation to ensure the unit is level and plumb.
- ⚠ WARNING:** This product can expose you to chemicals, including Urethane (Ethyl Carbamate), which are known to the State of California to cause cancer and birth defects or other reproductive harm. For more information go to www.P65Warnings.ca.gov.