

- **NR3633HSV** 35-3/4"L x 33"D x 32-7/8"H
- **NR4833HSV** 47-3/4"L x 33"D x 32-7/8"H

Included

- NOTE: Glass warranty only applicable to first point of delivery
- Convection heat
- Full end panel
- LED top light
- One year parts & labor warranty
- Stainless steel interior
- UV bonded frameless glass
- Vertical swing out front glass



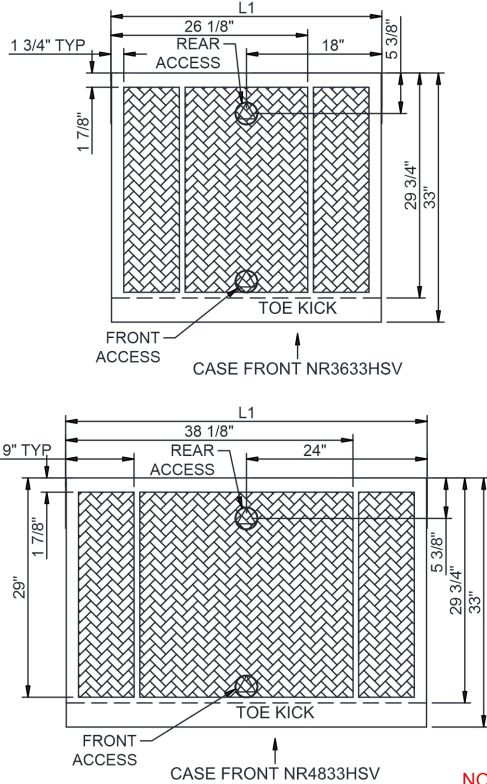
NR4833HSV

Specify	Standard Features	Additional Options
FRAME EXTERIOR COLOR	• Powder coated Silversan Black	• Powder coated (stock/non-stock colors) • Stainless steel
LOWER FRONT PANEL COLOR	• Powder coated Silversan Black	• Powder coated (stock colors, specify RAL#) • Stainless steel
PANEL EXTERIOR	• Laminate (stock colors)	• Laminate (non-stock colors) • Stainless steel
BASE SUPPORT	• Adjustable, locking casters	• 6"H legs (self-cont.)
FRONT GLASS	• Clear glass swing doors w/ lock	
LOWER REAR PANEL	• Powder coated Silversan Black	• Powder coated (stock colors, specify RAL#) • Stainless steel
REAR DOORS	• Clear glass rear sliding doors	• Reflective glass rear sliding doors
LIGHTS	• LED 3500K w/ frosted lens	• LED 3000K w/ frosted lens • LED 4000K w/ frosted lens
ELECTRICAL CONNECTION	• 10' Straight blade power cord	• 10' Locking blade power cord • Electrical leads (non-refrigerated)
MISCELLANEOUS		¹ • 14.5" Base height extension • Humidification system • Second year parts & labor warranty

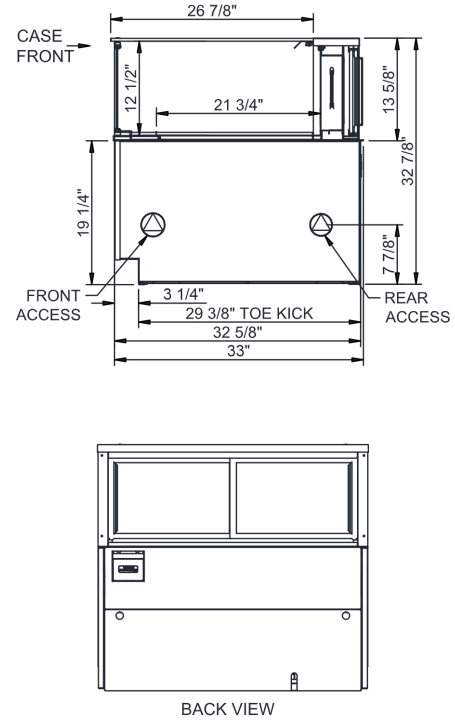
Option Notes: 1 - Cannot be combined w/ 6"H legs

Intended Environment: Type I - Designed to operate in ambient conditions of 75°F with 55% relative humidity unless noted otherwise in system information below.		
Zone	Intended Product To Be Displayed	Warmest Avg Prod Temp ° F
1	Packaged / unpackaged heated products	160

PLAN VIEW



SIDE VIEW



NOTE: ALL DIMENSIONS APPROXIMATE

- ELECTRICAL JUNCTION BOX (SUPPLIED WITH 6" LEADS OR POWER CORD).
- REFRIGERATION LINE CONNECTION.
- SELF-CONTAINED CASE SERVICE ACCESS AREA.
- REMOTE FLOOR SINK & UTILITIES ACCESS AREA.
- DRY CASE SERVICE ACCESS AREA.
- LOCATION OF DRAIN TUBE FOR REMOTE REF. ONLY (SUPPLIED WITH 3/4" OR 1 1/2" PVC TUBE).

Model Technical Specifications

Model	L"	L1"	L2"	System Circuit Volts	Phs	Freq	Amps ***	Watts	Wires	NEMA Plug	SST	Conv. Rack BTUH	Para. Rack BTUH	Est Wt	
NR3633HSV	N/A	35.75	.00	Heat (N/A)	Circuit #1	208-240	1	60	14.18	2,788	2+G	6-20P or L6-20P	N/A	N/A	750
NR4833HSV	N/A	47.75	.00	Heat (N/A)	Circuit #1	208-240	1	60	19.80	3,924	2+G	6-30P or L6-30P	N/A	N/A	750

*** Does not include electric defrost on freezer models.

Regulatory Approvals:

All Models
 ETL Listed to UL 197
 ETL Listed to CAN/CSA 22.2 No. 109
 ETL Sanitation to NSF/ANSI 4



Important Notes:

- 1) ELECTRICAL NOTE: If GFCI is required, a GFCI breaker MUST be used in lieu of a GFCI receptacle
- 2) Glass warranty only applicable to first point of delivery.

⚠ WARNING: This product can expose you to chemicals, including Urethane (Ethyl Carbamate), which are known to the State of California to cause cancer and birth defects or other reproductive harm. For more information go to www.P65Warnings.ca.gov.